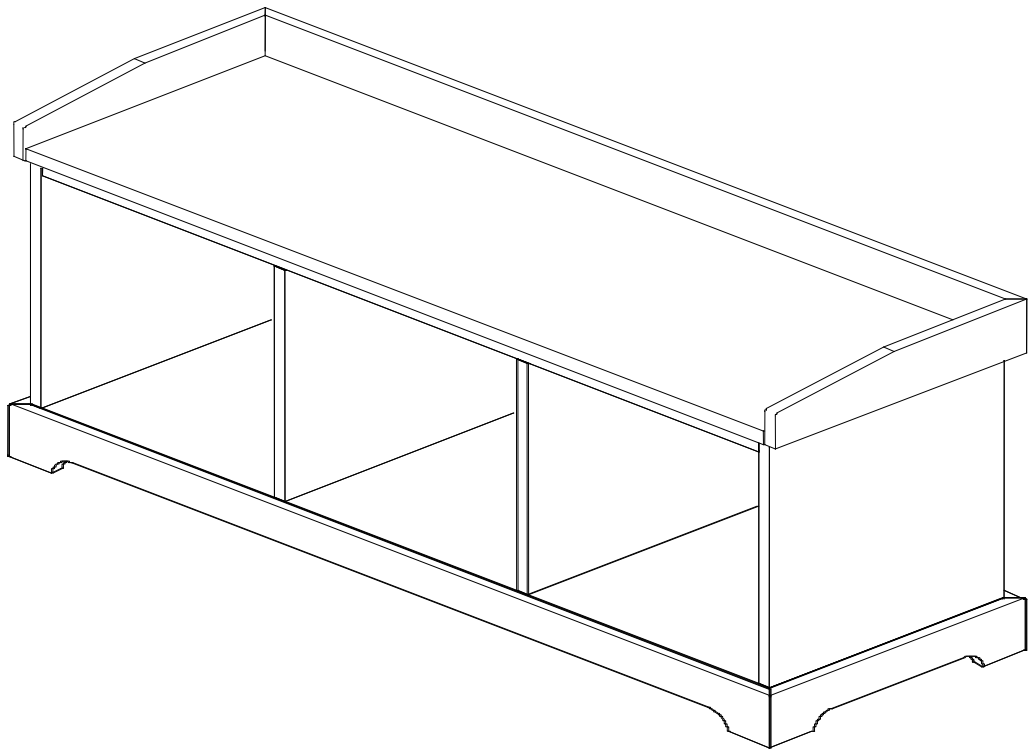


# POTTERY BARN



## SAMANTHA BENCH

### Important Safety Instructions:

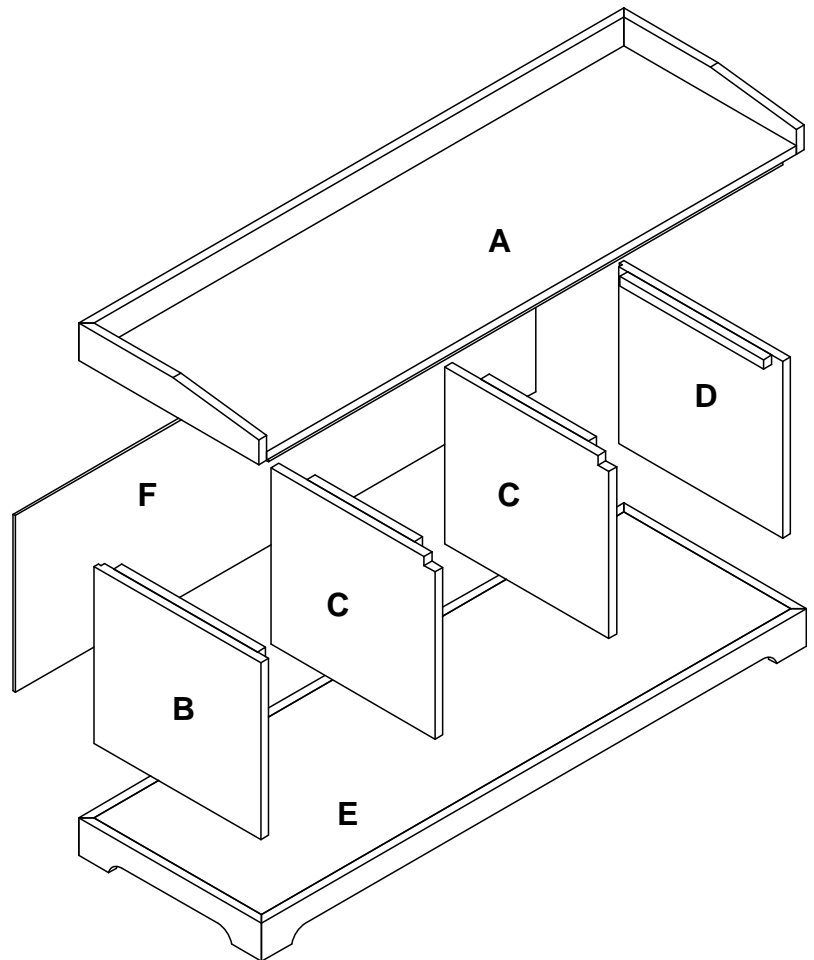
- Please read all instructions carefully before assembling.
- For your safety, assembly by two or more adults is strongly recommended.
- Keep instructions for future use.
- Use only vendor supplied hardware to assemble. Using unauthorized hardware could jeopardize the structural integrity of the item.

### Pre-assembly:

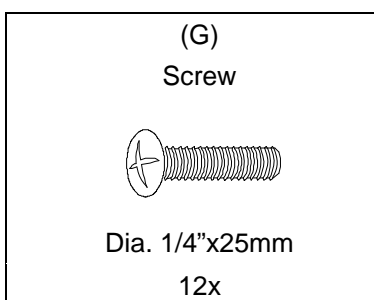
- Remove all parts and hardware from the box and lay out on a clear carpeted or scratch-free work surface, as this will avoid damaging parts during assembly. The shipping box provides an ideal work surface.
- Do not dispose of any packaging or contents of the shipping carton until assembly is completed to avoid accidentally discarding small parts or hardware.
- Use the parts and hardware lists below to identify and separate each of the pieces included.
- The illustrations provided allow for easier assembly when used in conjunction with the assembly instructions.
- The use of power tools to aid in assembly is not recommended. Power tools can damage hardware and split wood.

### Parts Included:

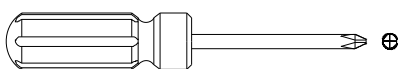
(A)	Top	1x
(B)	Left Side Panel	1x
(C)	Divider Panel	2x
(D)	Right Side Panel	1x
(E)	Base	1x
(F)	Back Panel	1x



### Hardware Included:



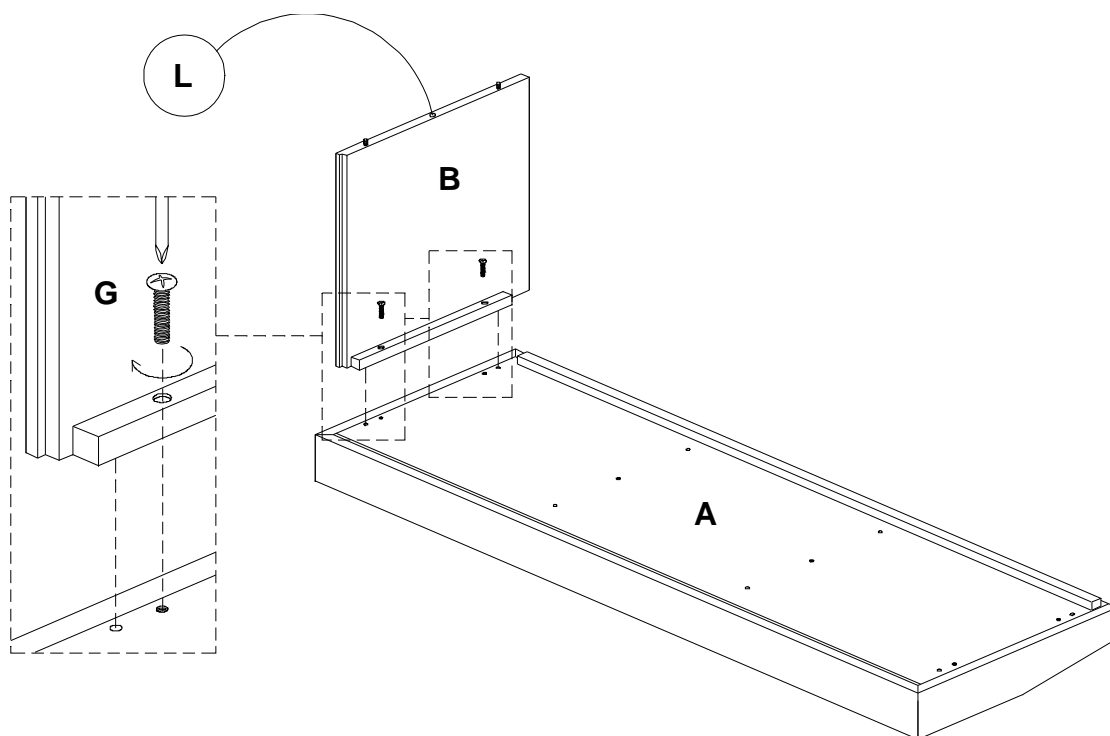
### Tools Required (Not included):



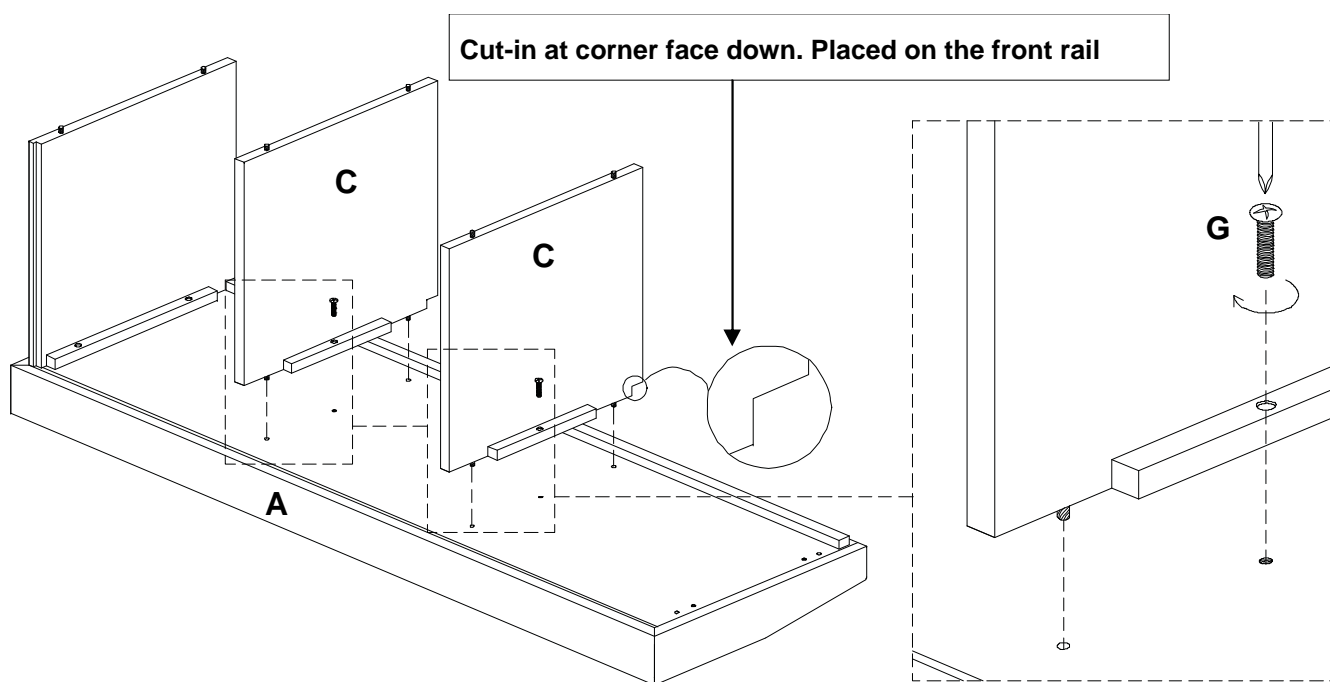
Philips Head Screwdriver

**Assembly Instruction Steps:**

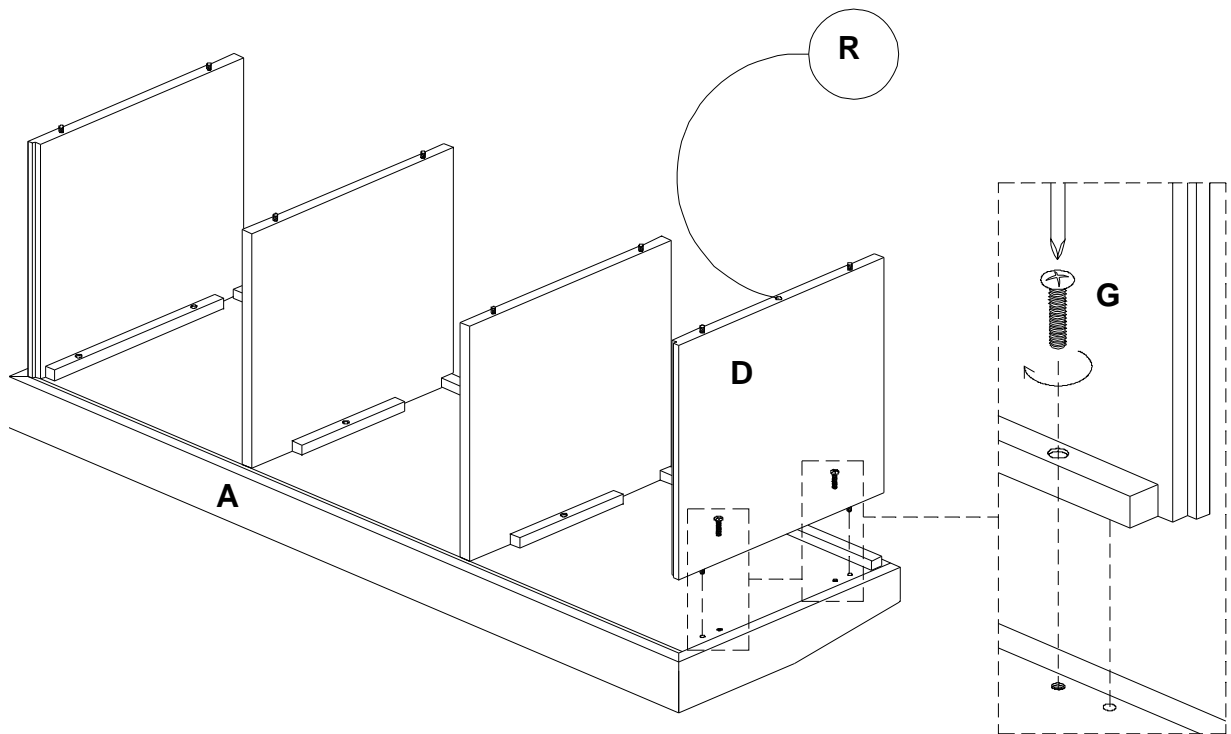
1. Slowly lay the Top (A) upside down on the carpet or foam in shipping box. Attach the Left Side Panel (B) on the top by aligning wood dowels and pre-drilled holes. Secure by Screw (G) using a Phillip head screwdriver.



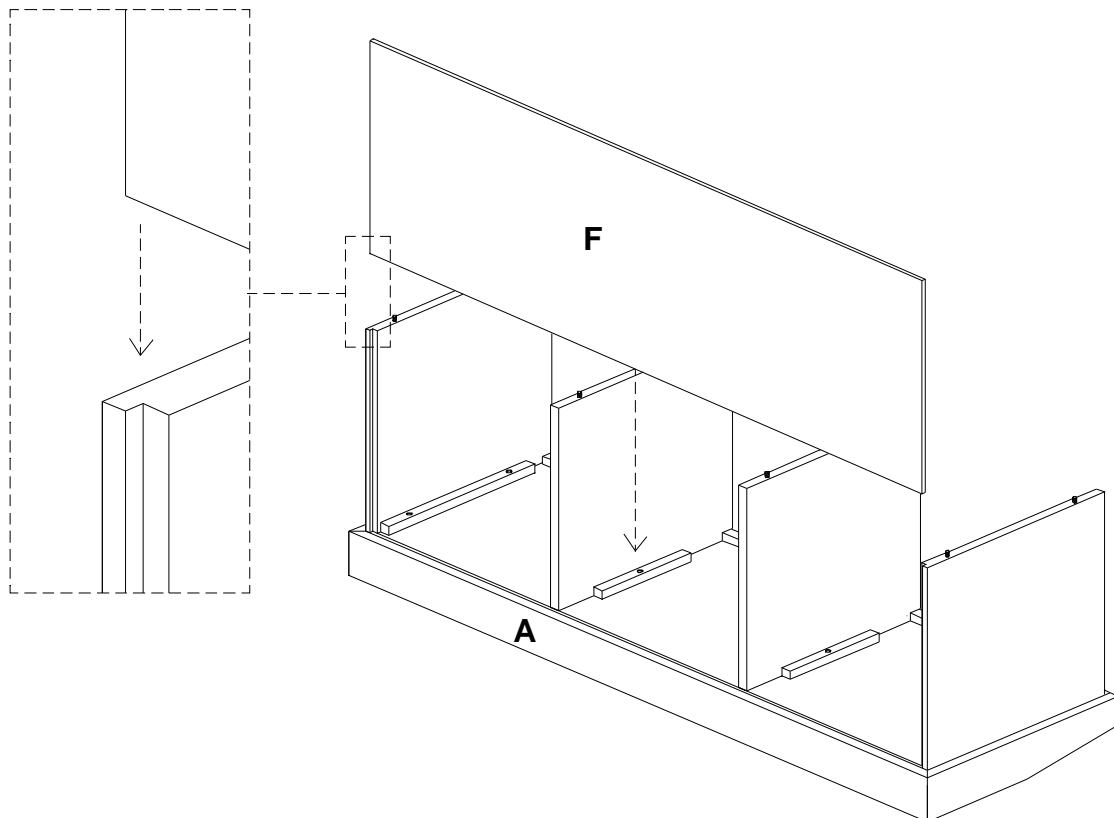
2. Attach the Dividers (C) on the Top (A) by aligning wood dowels and pre-drilled holes. Secure by Screw (G) using a Phillip head screwdriver.



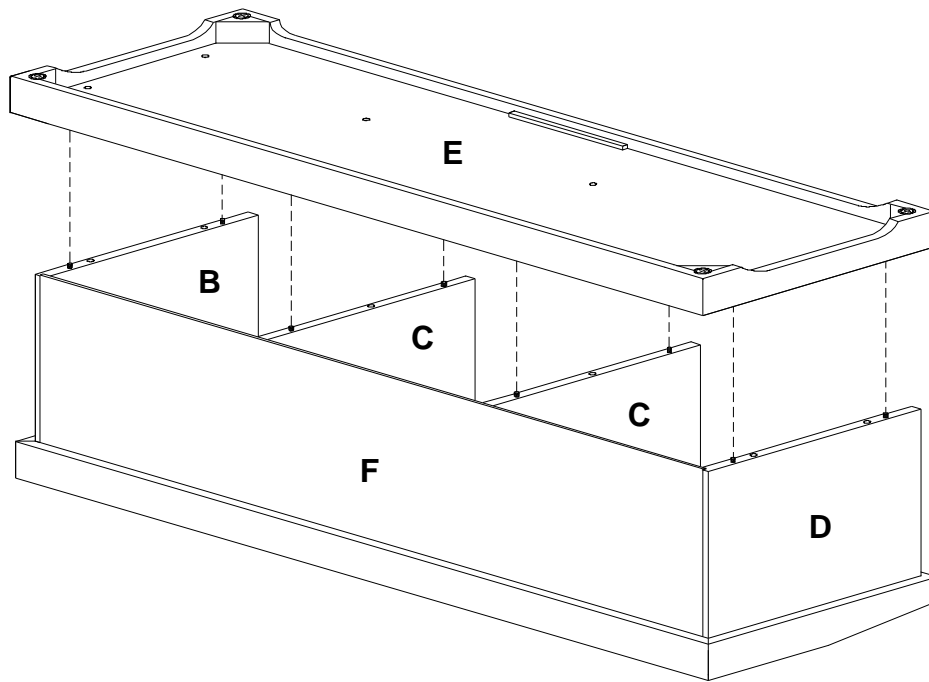
3. Attach the Right Side Panel (D) on the Top (A) by aligning wood dowels and pre-drilled holes. Secure by Screw (G) using a Phillip head screwdriver.



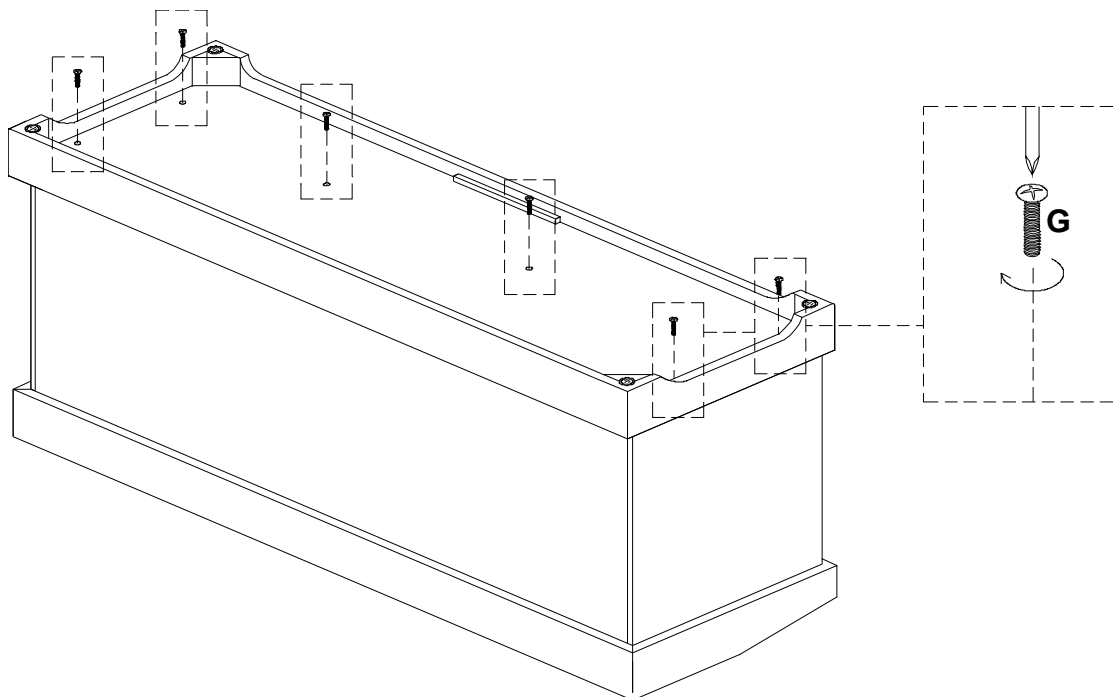
4. Insert the Back Panel (F) into the cut-in on side panel and the groove on Top Panel (A).



5. Attach the Bottom Panel (E) on side and divider panel by aligning wood dowels and pre-drilled holes. Push and move the panels slightly for easy inserting dowels into pre-drilled holes. Make sure the Bottom Panel (E) stay firmly.



6. Secure by Screw (G) using a Phillip head screwdriver.



**Care Instructions:**

- Dust often using a clean, soft, dry and lint-free cloth.
- Blot spills immediately and wipe with a clean, damp, cloth.
- We do not recommend the use of chemical cleansers, abrasives or furniture polish on our lacquered finish.
- Hardware may loosen over time. Periodically check to make sure all connections are tight. Re-tighten if necessary.

Thank you for your purchase  
Stores | catalog