

P O T T E R Y B A R N

Grant Floor Storage Assembly Instructions

Pre-Assembly:

Please read all instructions before beginning assembly.

For your safety and convenience, assembly by two people is recommended.

Use the parts list to identify and separate each of the components included.

Save all packing materials until assembly is complete to avoid the accidental discarding of smaller parts or hardware.

Shelves should not be loaded more than 50 lbs.

Parts Included:

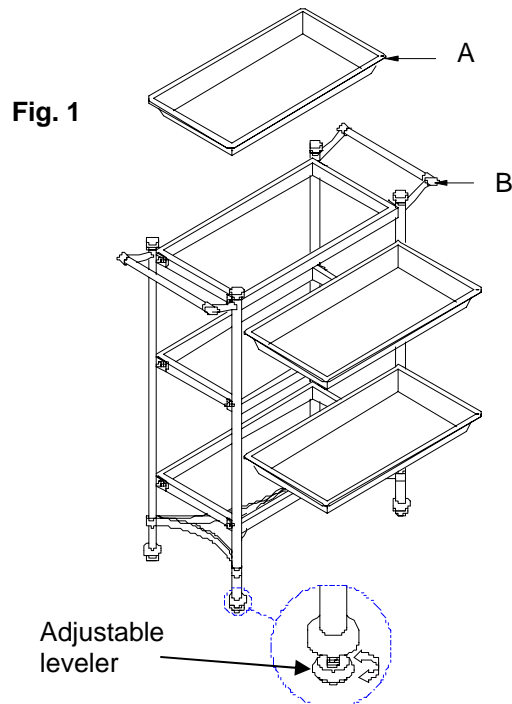
(3) Metal trays - A

(1) Metal frame - B

1. Carefully put the 3pcs of metal trays (A) onto the metal frame (B). See **Fig. 1**

2. Adjusting Levelers:

- Due to an uneven floor the furniture may not sit level due causing it to wobbles. If the piece wobbles, determine which corner does not touch the ground correctly. With two people follow these steps:
- Carefully lift the item slightly to provide access to the levelers attached to the bottom. (**Fig. 1**)
- Turn the levelers until adequate contact will be made with the floor. Gently set down the piece and check stability.
- Repeat steps until furniture sits firmly on the floor.



3. Assembly is now complete.

Care Instructions:

Dust with a clean, soft damp cloth and wipe dry immediately.

Avoid the use of chemicals and harsh cleaning agents.

thank you for your purchase
stores | catalog | www.potterybarn.com