

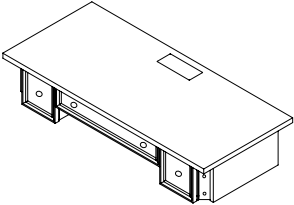
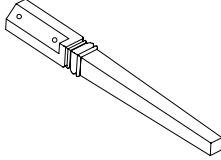
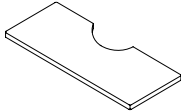
P O T T E R Y B A R N

Meredith Vanity Assembly Instructions



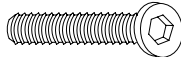

Pre-Assembly:

- Please read all instructions carefully before beginning assembly.
- Save all packing materials until the vanity is fully assembled to avoid accidentally discarding any small parts or hardware.
- Use the parts and hardware lists to identify and separate each of the components included.
- For your safety, assembly by two people is recommended.

Parts Included:

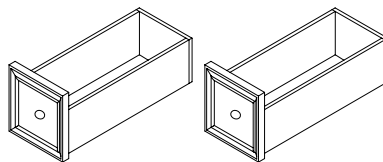
(1) Table Top - A	(4) Legs - B	(1) Wood Plate - C
		

Hardware Included:

(8) Flat Washer - D	(8) Lock Washer - E	(8) Allen Bolt - F (M6 x 38 mm)	(1) Allen Key - G
			

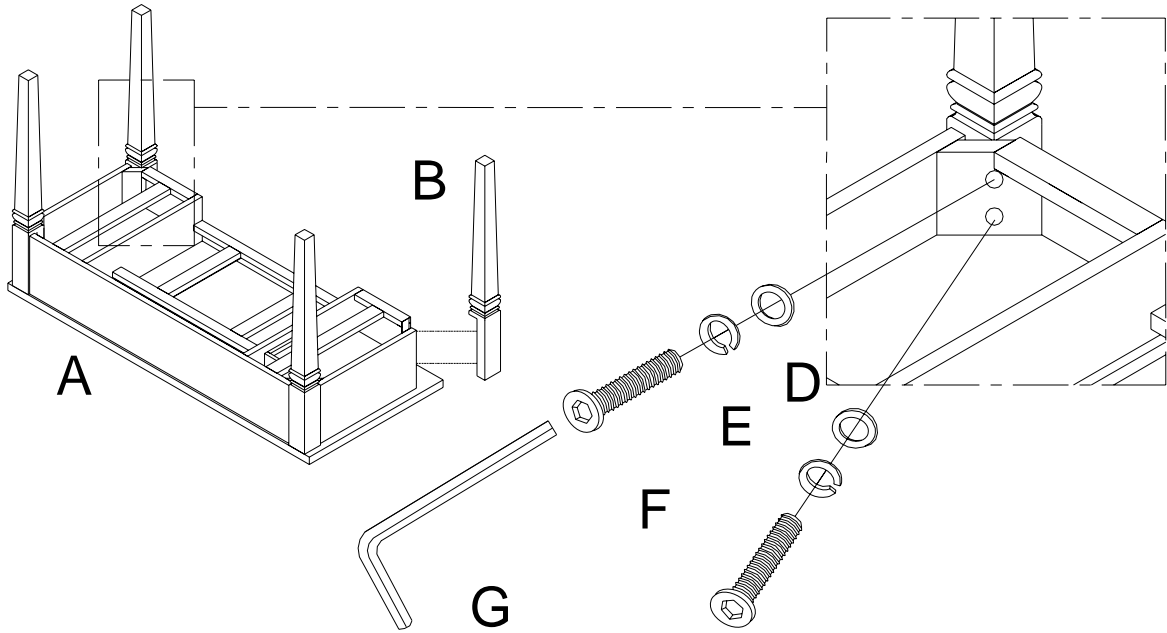
Assembly Instructions:

1. Carefully remove the two side drawers (at left and right side). Gently place the table top (A) face down on a carpeted or scratch-free surface.



2. Attach legs (B) to the table top by aligning the inserted nut on each leg to the pre-drilled holes at corner of the table top (A). Secure using the flat washer (D), lock washer (E) and allen bolt (F). Tighten with the allen key (G). See Illustration 1.

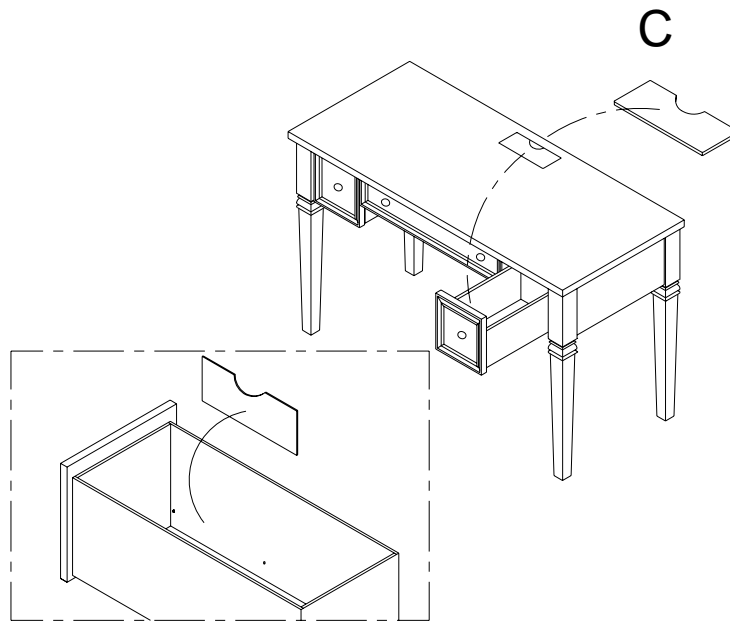
Illustration 1



3. Carefully turn the table with assembled legs upright. Re-insert the two side drawers. Use the wood plate (C) to cover the cut out at back of table top.

Note: Inside the side drawer there is a magnet catch which can hold the wood plate (C). Plate can be stored inside the drawer when not in use. Assembly is complete. See Illustration 2.

Illustration 2



Care Instructions:

- For daily cleaning, wipe with a soft damp cloth. Wipe dry immediately.
- To protect the finish, avoid the use of chemicals and harsh cleaning agents.

thank you for your purchase
stores | catalog | www.potterybarn.com