

P O T T E R Y B A R N

Lotta Sconce Assembly Instructions

Important Safety Instructions:

- These instructions are provided for your safety. It is important that they are read carefully and completely before assembling fixture.
- We strongly recommend that a professional electrician install all direct wire fixtures.
- This fixture has been rated for up to (1) 60-watt maximum TYPE B Candelabra bulb (not included). To avoid the risk of fire, do not exceed the recommended wattage.

WARNING: This lighting fixture contains lead, a chemical known to the State of California to cause cancer, birth defects and other reproductive harm. Wash hands after installing, handling, cleaning or otherwise touching this light fixture.

Parts Included:

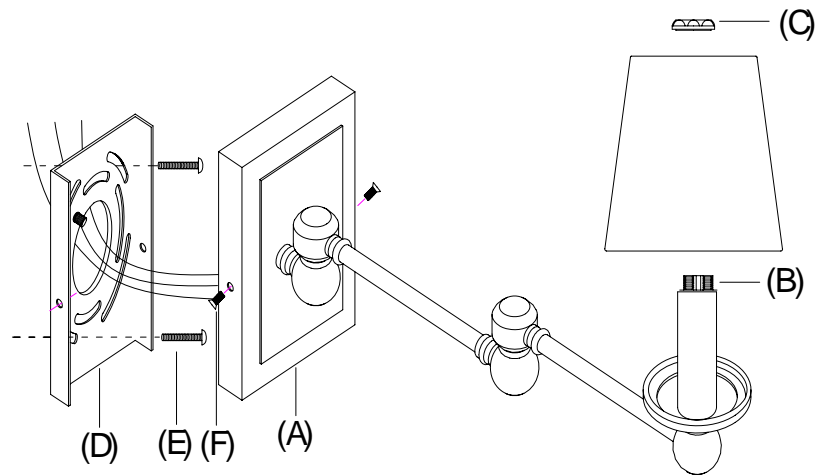
- (1) Fixture Base (A)
- (1) Threaded Socket (B)
- (1) Socket Ring (C)
- (1) Back Plate (D)

Hardware Included:

- (2) Back Plate Screws (E)
- (2) Base Screws (F)
- (3) Plastic wire connectors

Pre-assembly:

- Remove all parts and hardware from box along with any plastic protective packaging and lay the items out on a clear work surface.
- Do not discard any contents until after assembly is complete to avoid accidentally discarding small parts or hardware.



Installation Instructions:

1. SHUT OFF THE MAIN ELECTRICAL SUPPLY FROM THE MAIN FUSE BOX/CIRCUIT BREAKER.
2. Remove the back plate (D) from base of fixture base (A) by unscrewing base screws (F).
3. Gently pull the wiring from the wall outlet box and allow the wires to hang. Thread the wires through the center hole in the back plate.
4. Affix back plate (D) to the wall outlet box with back plate screws (E) provided.
5. Wrap the ground wire (green) around the ground screw found on the mounting plate or connect it to the ground wire found in the wall outlet box (usually green or copper in color). If attaching to ground wire in outlet box, fasten together with a plastic wire connector and tightly wrap the connection with electrical tape to seal the connector.
6. IT IS IMPERATIVE THAT THE OUTLET BOX IN YOUR HOME BE PROPERLY GROUNDED.
7. Connect the neutral (white) fixture wire to the neutral (usually white) outlet wire. Fasten together with a plastic wire connector and tightly wrap the wire connector with electrical tape.
8. Repeat this procedure with the hot (black) wires. Always make sure that no wire strands are left outside the connectors.
9. DO NOT REVERSE THE HOT AND NEUTRAL CONNECTIONS OR SAFETY WILL BE COMPROMISED.
10. Attach fixture base (A) to the affixed back plate (D) by aligning the holes and inserting base screws (F) into fixture base (A). Tighten with screwdriver.
11. Remove socket ring (C) from threaded socket (B).
12. Place the shade (sold separately) over threaded socket (B) and align the socket with the opening at the top of the shade so that threaded socket (B) protrudes through the opening.
13. Attach socket ring (C) by turning clockwise to tighten. Insert light bulb (not included) into socket.
14. Restore power and test fixture. Installation is complete.

Care Instructions:

- Wipe with dry cloth only. Avoid the use of all detergents and chemicals.