

# P O T T E R Y B A R N

## Astor Medicine Cabinet Mounting Instructions

### Professional Installation Is Strongly Recommended!

This item is meant to be installed in a recess formed within a framed wall construction and is NOT sized to fit between conventional wall stud spacing. The installation requires some cutting of the sheetrock wall and studs and also some re-framing within the wall around the cut opening between the studs. To this end, we strongly recommend that this item be installed by a professional.

**Tools Needed:** Tape Measure, Stud Finder, Philips Screwdriver, Pencil, AND Appropriate cutting and framing tools to cut an accurate hole in a wall and properly frame the cut opening.

**Parts Included:** (4) Metal Screws (for mounting)      (12) L-Shape Shelf pegs      (3) Glass Shelves

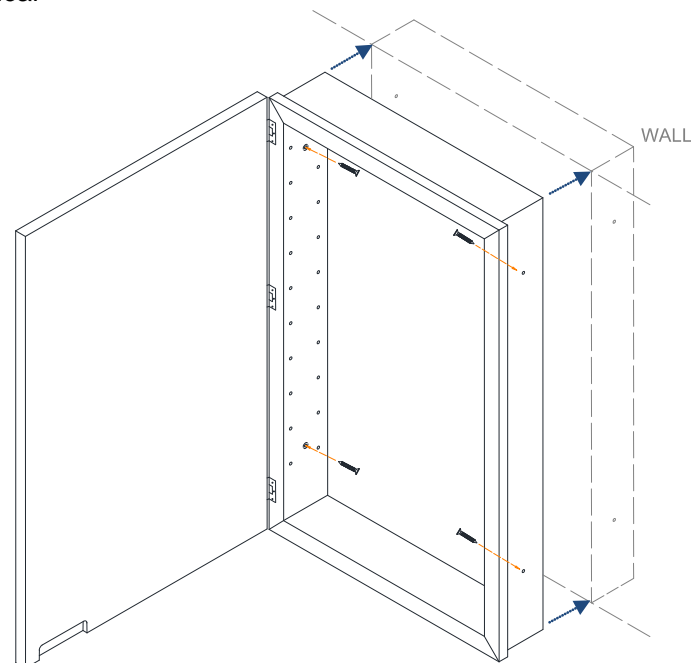
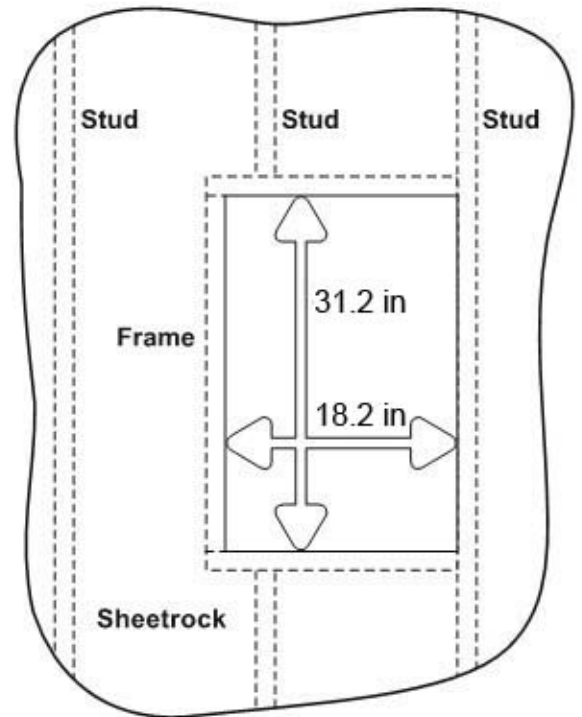
**Note: Maximum total weight capacity for this product is 60 pounds (27.5 KG), and 12 pounds (5.45 KG) maximum per individual shelf & horizontal surface.**

### Installation Instructions:

- 1) Determine the desired mounting location and use a stud finder to locate and mark the studs in the area. **This cabinet is NOT sized to fit between studs.** For most home construction, a stud will likely intersect the mounting location and will have to be cut to allow the unit to fit within the wall. The opening will have to be framed so that a stud is positioned on both sides of the insert portion of the medicine cabinet and preferably on the top and bottom as well, as shown in the adjacent illustration.

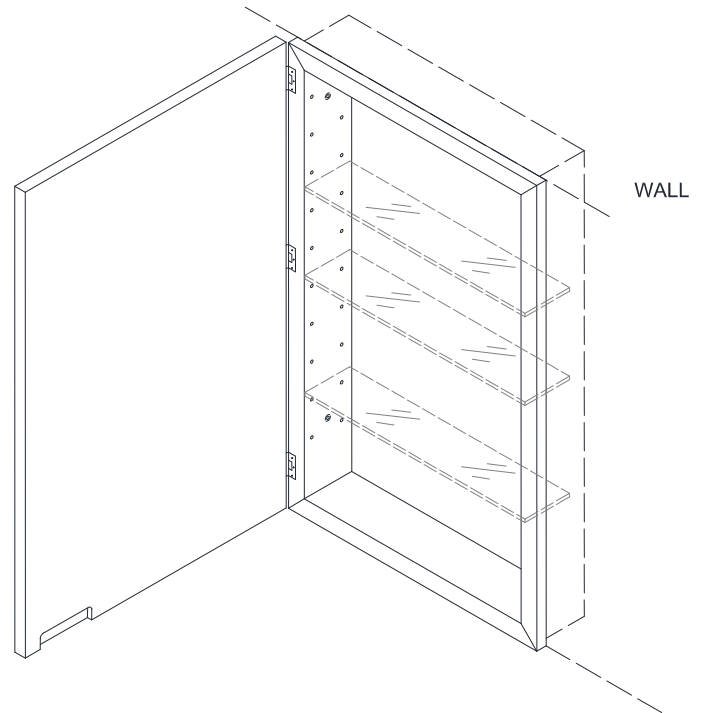
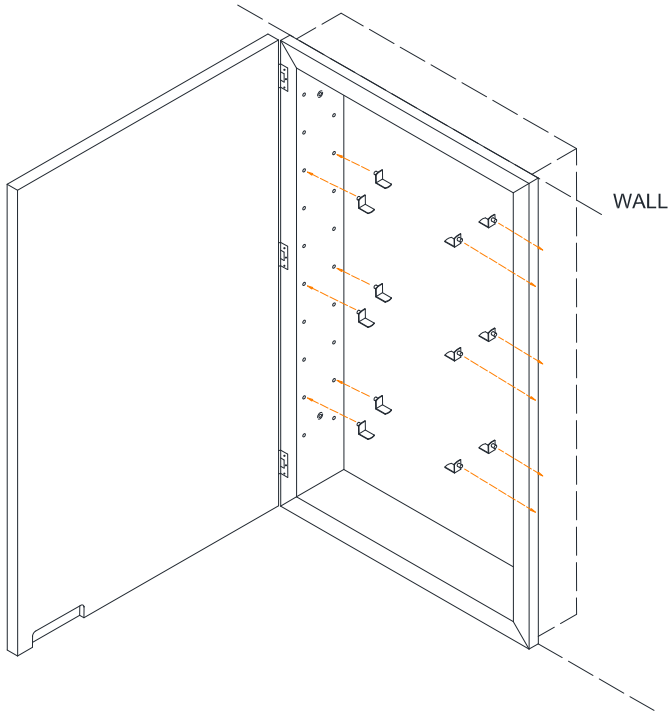
Details of this framing operation is beyond the scope of this installation and will vary depending on the on-site particulars. The end result is that this medicine cabinet requires a stud to be positioned along each side of the inserted portion.

- 2) Use appropriate tools to carefully cut into the wall material a vertical rectangle measuring 18.2 inches (46.2 cm) wide and 31.2 inches (79.2 cm) in height. Use appropriate tools to frame this opening so that firmly installed studs are positioned immediately adjacent to the sides of the inserted portion of the cabinet, when the cabinet is inserted within the framed section. The two vertical studs must be spaced no less than 18.2 inches and should not be spaced more than 18.4 inches apart. Re-sheetrock, spackle and tape and paint the area as needed so that only the framed cutout remains.
- 3) Fit the cabinet into the cutout and push it in firmly so that the frame of the cabinet is flush against the wall. Note that the cabinet may be inverted to change how the mirror opens (from the left or the right). The installer may shim the cabinet within the frame as necessary.
- 4) Use the provided screws and a screwdriver to secure the cabinet to the adjacent side wall studs – two screws on each side. Use the provided two screw-holes located along the side walls inside the cabinet. **DO NOT OVERTIGHTEN THESE SCREWS** – doing so can deform the cabinet. Installation is now complete.



**Install the tempered glass Shelves:**

For each shelf, insert four L-shaped shelf pegs into the pre-drilled holes as shown below, and then place the tempered glass shelf on the shelf pegs and along the inside walls of the cabinet.



**Care Instructions:** Wipe with a soft, dry cloth. To protect the finish, do not use household cleaners or abrasives.

**Thank you for your purchase!**  
Stores | catalog | [www.potterybarn.com](http://www.potterybarn.com)