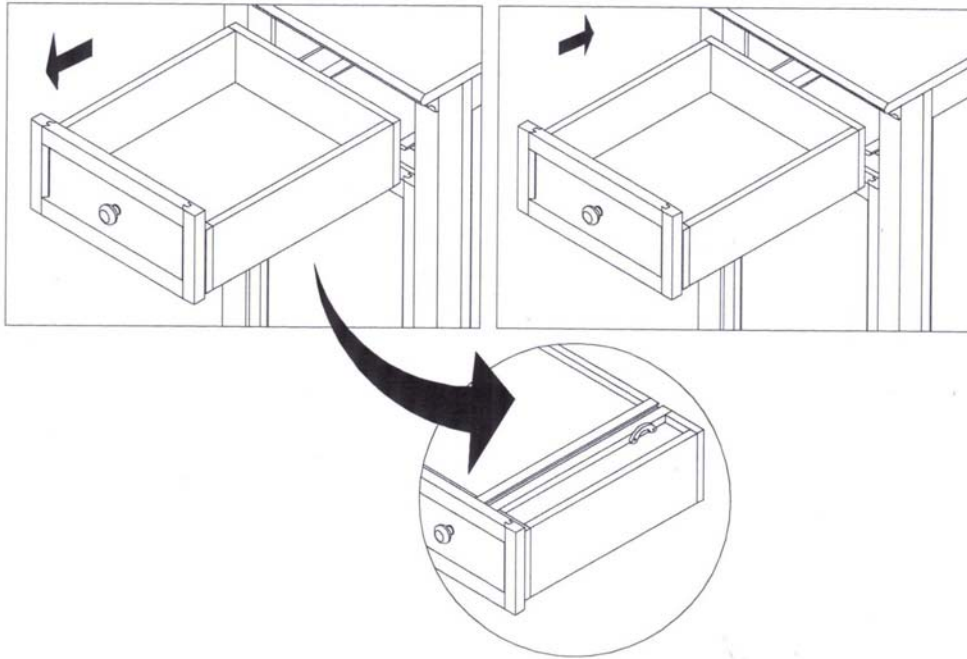


P O T T E R Y B A R N

Hudson Side Cabinet Drawer and Door Removal Instructions

Drawer removal instructions:

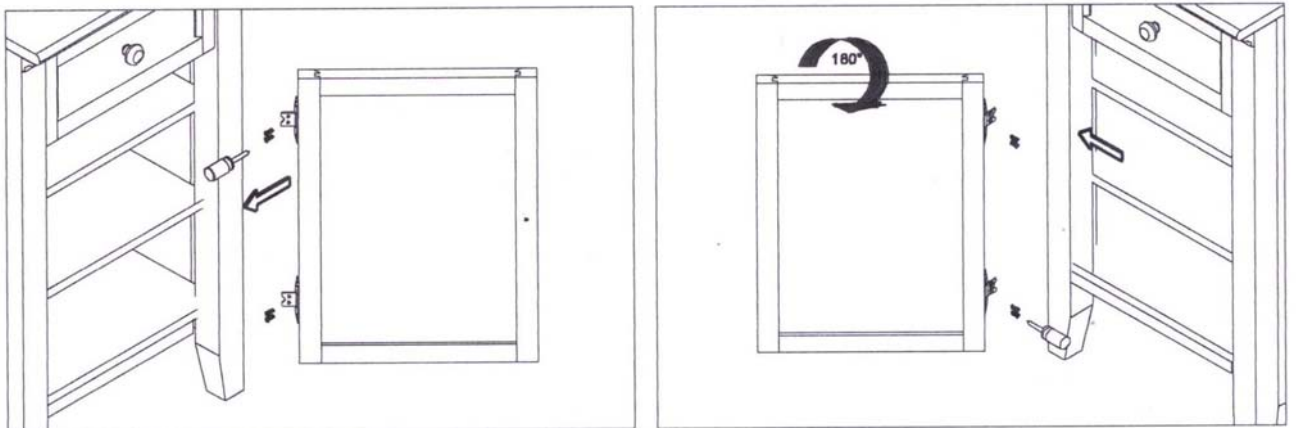
1. Grasp drawer and pull partially open.
2. Locate plastic drawer stop attached to the wooden drawer runner below the drawer box. Pull out. Remove drawer.
3. Re-engage drawer stop to original position before replacing drawer.



Note: The door can be positioned to hinge on either the left or the right side of the cabinet.

Door removal instructions:

1. Detach door from cabinet by removing screws from the hinges.
2. Turn the door upside down (180°). The door knob will automatically be repositioned to the other side.
3. Put screws back into the hinges. Secure into cabinet by tightening.



Care Instructions:

- For daily cleaning, dust with a dry, soft cloth. Avoid the use of chemical and abrasive cleaners.

thank you for your purchase