

POTTERY BARN

ELLA TP HOLDER Assembly Instructions

Note: : For safe mounting, it is essential to use the proper hardware for your wall type. Contact your local hardware store for assistance, if necessary. For safety and ease of mounting, installation is recommended using two people. Mount to wood studs whenever possible.

Tools Needed:

Level, tape measure, stud finder, Phillips screwdriver, pencil, Flat blade screwdriver

Parts Included:

A) 2 Plastic anchors (for dry wall only)
B) 2 Metal screws C) 1 Allen wrench

Parts Included: D) 1 Mounting plate

E) 1 TP HOLDER with pre-attached set screws

Mounting Instruction

1. Pre-assemble towel bar. Hold mounting plate at desired location. With a pencil, mark on the wall the screw hole location. Remove from wall. These marks will be used to determine the location of your mounting hardware.
2. Use a carpenter's level or measure up from the floor at each mark to ensure the bar will be level.

Dry Wall Mounting:

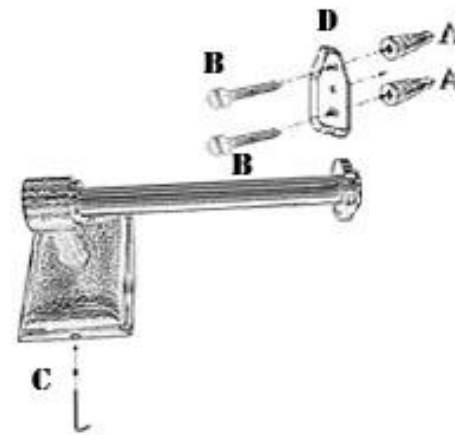
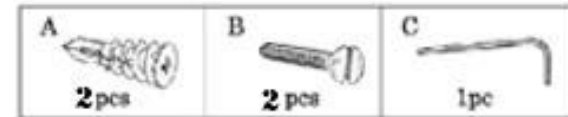
1. Use a Phillips screwdriver to insert the wall anchors. Do not "push" or drive the anchors into the wall, they are designed to bore into the wall like a drill bit. Slowly turn the anchors clockwise while applying pressure until the flange just touches the wall.
2. Attach mounting plate by inserting screws into previously installed dry wall anchors. Tighten screws with a Flat blade screwdriver.
3. Attach towel bar onto mounting plate. Secure by turning set screws clockwise with Allen wrench until tight.

Stud Mounting:

1. Attach mounting plate by inserting screws directly into the wall (do not use anchors). Tighten screws with a Flat Blade screwdriver.
2. Attach towel bar onto mounting plate. Secure by turning set screws clockwise with Allen wrench until tight.

Care Instructions:

Wipe with a soft, dry cloth. To protect the finish, do not use household cleaners or abrasives.



Thank you for your purchase

Stores | catalog | www.potterybarn.com