

# POTTERY BARN

## Newport Floor Storage Assembly Instructions

- Please read all instructions before beginning assembly. Save all packing materials until assembly is complete to avoid accidentally discarding smaller parts or hardware. Keep all parts and plastic bags out of the reach of children. For your safety and ease, assembly by two people is recommended.
- **MAXIMUM INDIVIDUAL SHELF WEIGHT CAPACITY IS 30 POUNDS (14 kgs)**

### Hardware included:

(A) Shelf brackets-8pcs

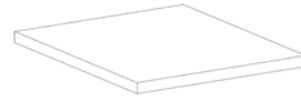


### Parts included:

(a) Feet -4pcs

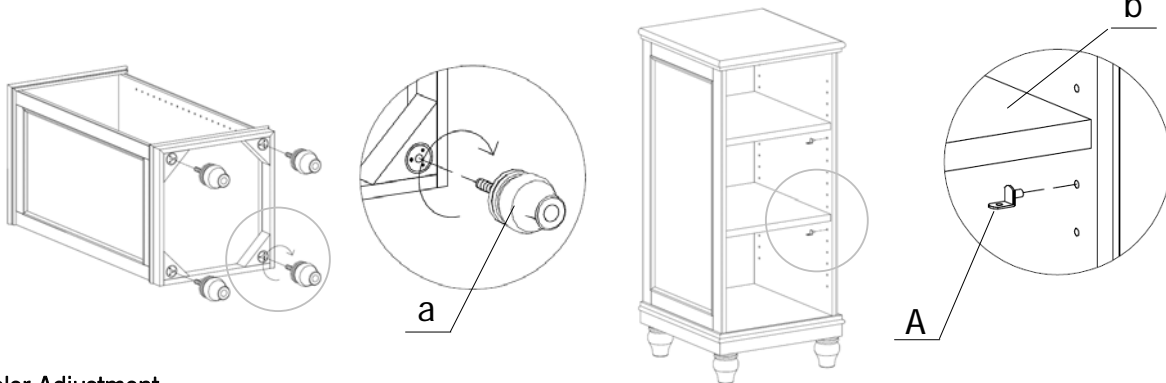


(b) Wooden shelves-2pcs



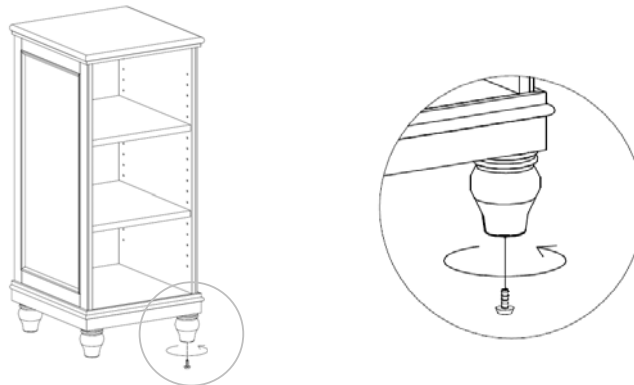
### Assembly Instructions:

1. Place cabinet down on a soft, scratch-free surface such as a carpet or rug. Thread the 4 feet into pre-drilled holes at the bottom of the cabinet. Place the cabinet upright.
2. Insert shelf brackets at desired level. Gently place wooden shelves onto shelf brackets.



### Leveler Adjustment:

Levelers are pre-installed on the feet. To make sure the cabinet is level, adjust as needed. Turn counter-clockwise to increase height, clockwise to decrease height.



### Care Instructions:

Wipe cabinet with a soft, dry cloth. Avoid cleaners and abrasives as they may damage finish.

thank you for your purchase  
stores | catalog | [www.potterybarn.com](http://www.potterybarn.com)