

P O T T E R Y B A R N

Anna Daybed Trundle

Pre-assembly:

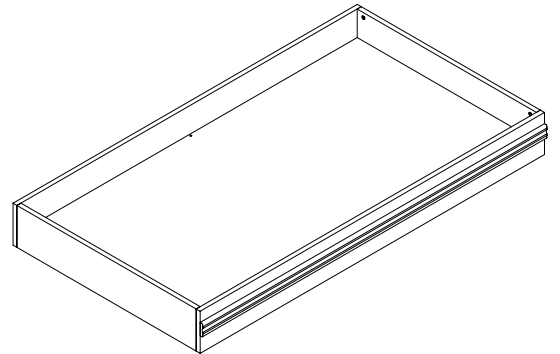
- Please read all instructions carefully before assembly.
- For your safety and ease, assembly by three people is recommended.
- Save all packing materials until assembly is complete to avoid accidentally discarding small parts or hardware.

Parts Included:


- BOX - Trundle:
 - (2) Front side rail
 - (2) Back side rail
 - (1) Bottom Board

Hardware included:

- A:(8) M6x37mm Cam Bolts 
- B:(8) 15mmx13mm Cam Locks 
- C:(2) 8mmx15mm Wooden Connector pin 
- D:(24) 6x16mm Pan head screws 
- E:(6) Swivel Casters 

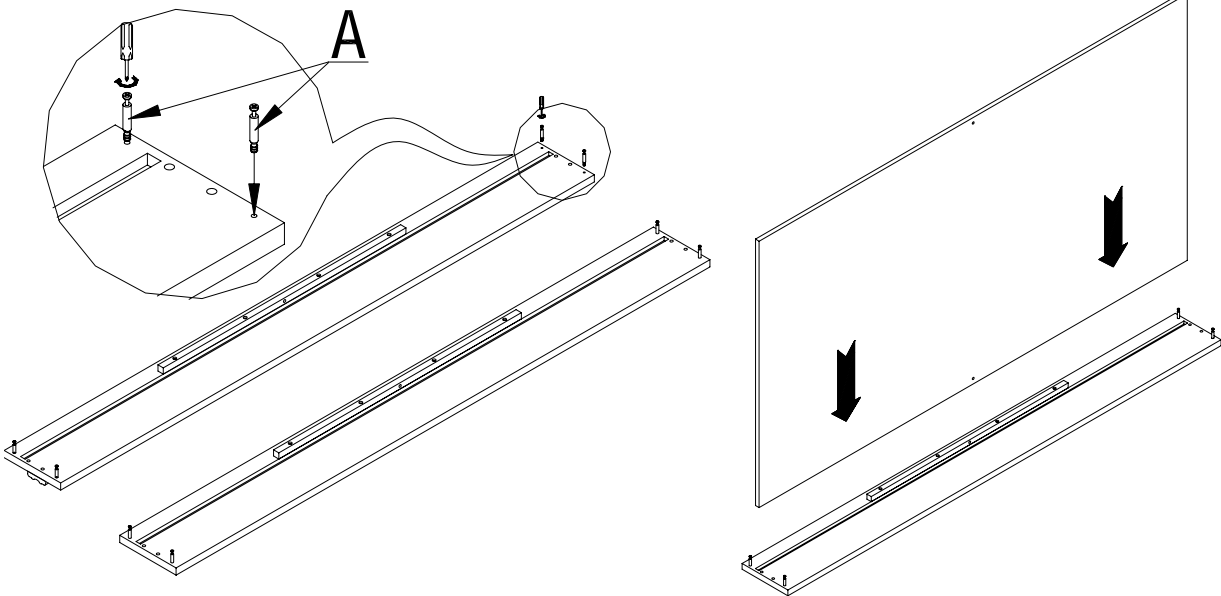


Tools Needed:

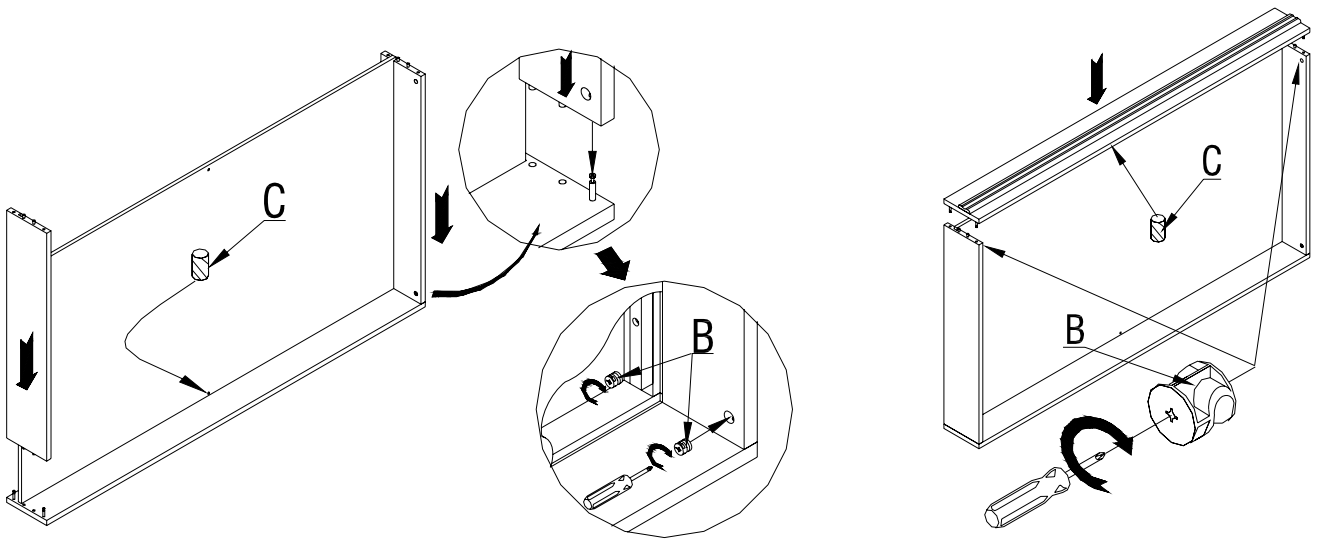
- Phillips screwdriver (not provided) 

Trundle Assembly Instructions:

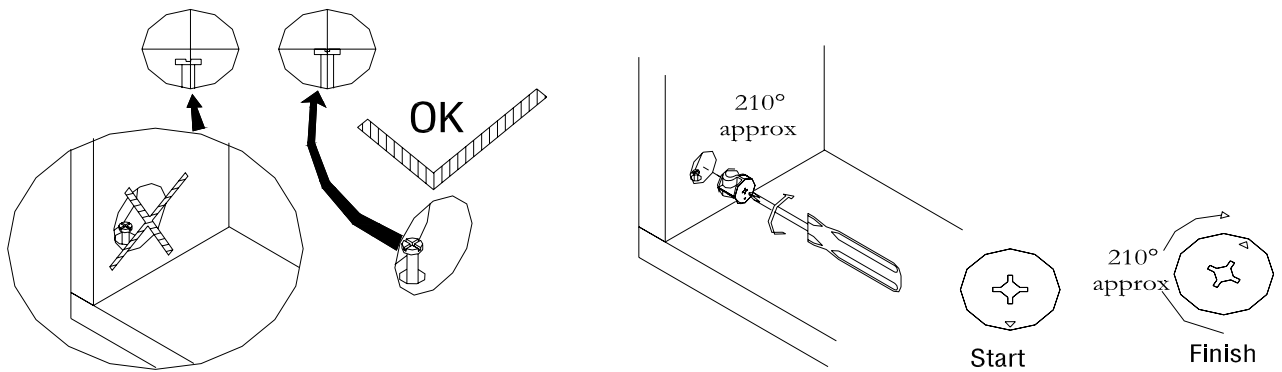
1. Screw (2) cam bolts (A) into each side of (1) long side rail.
2. Using (1) wooden connector pin (C), fasten (1) long side rail to the bottom board.



3. Insert (2) short side rails over the cam bolts sticking out of the long side rail.
4. Repeat step 2 with the remaining side of the long side rail.
5. Insert cam locks (B) into large pre-drilled holes on the interior of short side rail.

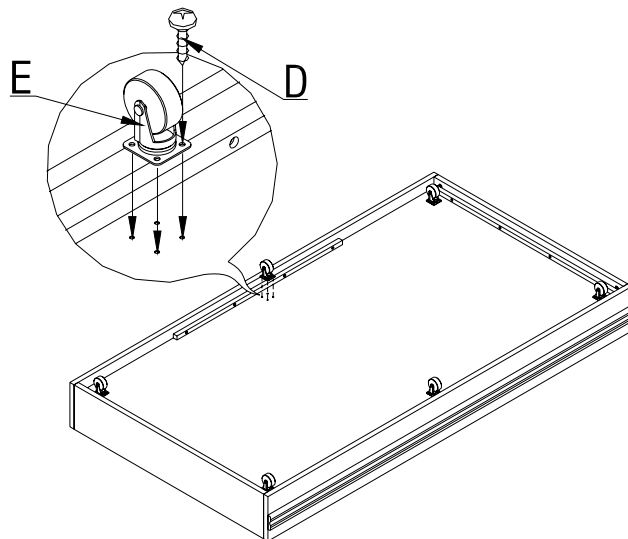


6. Turn the cam locks (B) clock-wise with a Phillips head screwdriver (approx. 210°).



7. Turn the assembly upside down and repeat step 6.

8. Fasten the casters to the bottom corners of the bottom board by aligning the pre-drilled holes, using (4) pan head screws (D) for each caster (E).



Care Instructions:

- Dust with a clean, soft cloth. Avoid the use of all abrasive cleaners.

P O T T E R Y B A R N

Anna Daybed

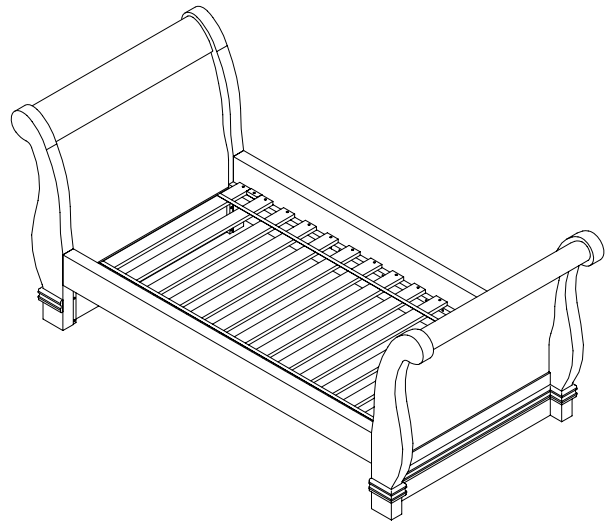
Pre-assembly:

- Please read all instructions carefully before assembly.
- For your safety and ease, assembly by three people is recommended.
- Save all packing materials until assembly is complete to avoid accidentally discarding small parts or hardware.


Parts Included:

- BOX 1:
 - (1) Headboard
- BOX 2:
 - (1) Footboard
- BOX 3:
 - (1) Front side rail
 - (1) Back side rail
 - (1) Cross-slat roll

- (1) Hardware included:
 - (28) 8x30mm Phillips wood screws (A)



Tools Needed:

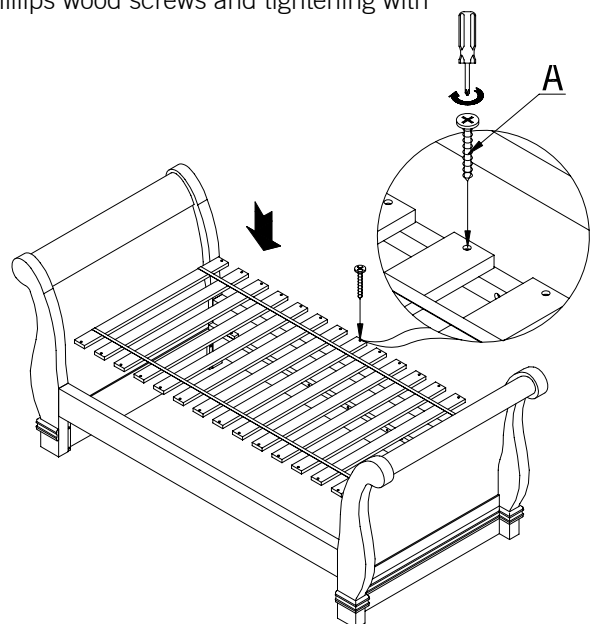
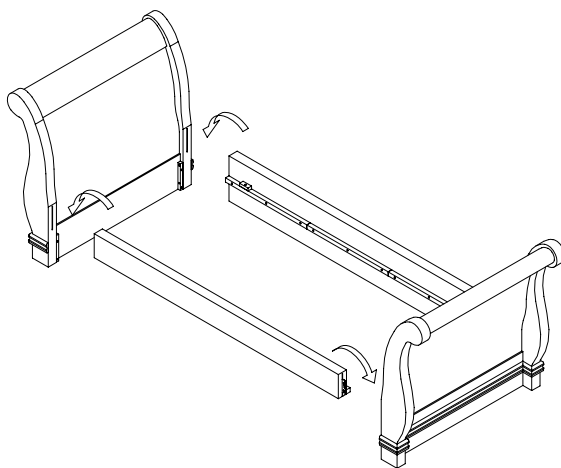
- Phillips screwdriver (not provided) 

Assembly Instructions:

1. One person should hold the headboard in a vertical position tilted slightly forward.
2. Attach the front side rail (small) and the back side rail (large) to the headboard by dropping the rails' hooked ends into the corresponding slots in the headboard. Be sure the lips of the front side rail and back side rail are facing inward.
3. Repeat the process with the footboard.

Mattress Support System Assembly Instructions:

1. Place cross-slat roll on side rail lips and roll out so the pre-drilled hole on the end of each slat lines up with the pre-drilled holes on the side rail lips. (Binding should be face down).
2. Attach the cross-slats in place by inserting the 28 Phillips wood screws and tightening with Phillips screwdriver.
3. Periodically tighten all connections.



Care Instructions:

- Dust with a clean, soft cloth. Avoid the use of all abrasive cleaners.