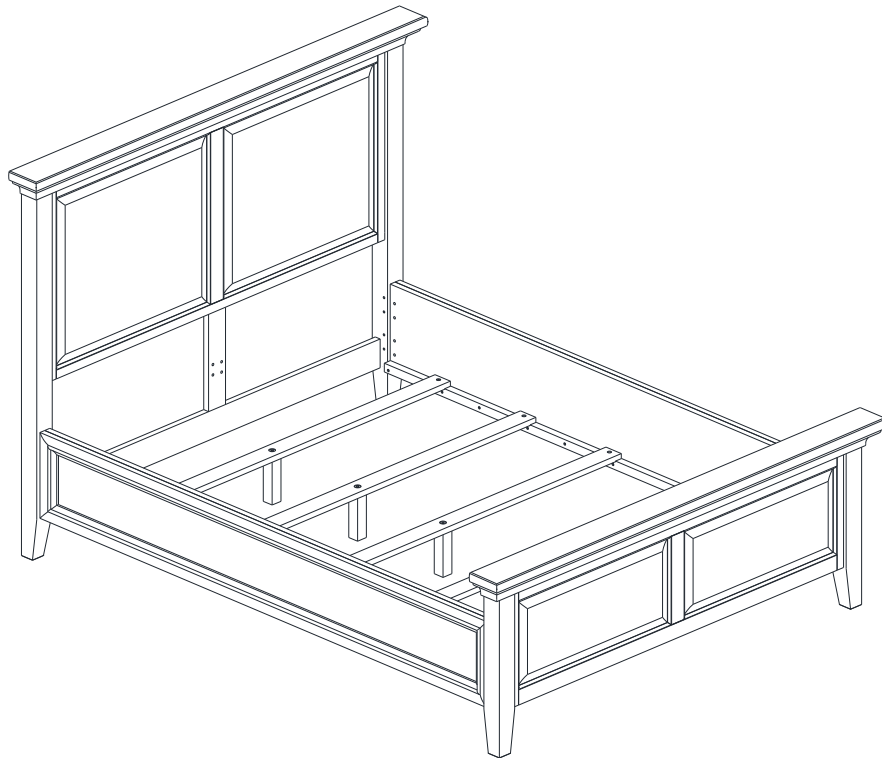


# POTTERYBARN



## HUDSON BED QUEEN, KING & CALKING

Date : 21-April-16

Rev :-

[www.potterybarn.com](http://www.potterybarn.com)

**Important Safety Instructions:**

- Please read all instructions carefully before assembling.
- For your safety, assembly by two or more adults is strongly recommended.
- Keep instructions for future use.
- Use only vendor supplied hardware to assemble. Using unauthorized hardware could jeopardize the structural integrity of the item.

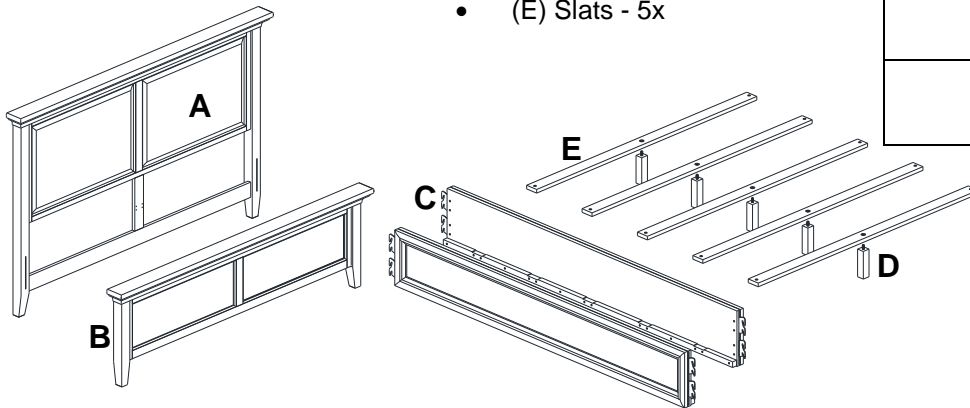
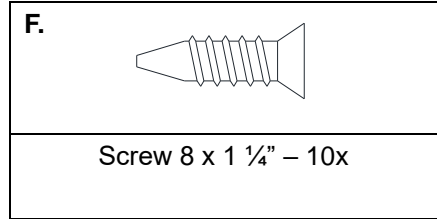
**Parts Enclosed Box 1:**

- (A) Headboard – 1x
- (B) Footboard – 1x

**Parts Enclosed Box 2:**

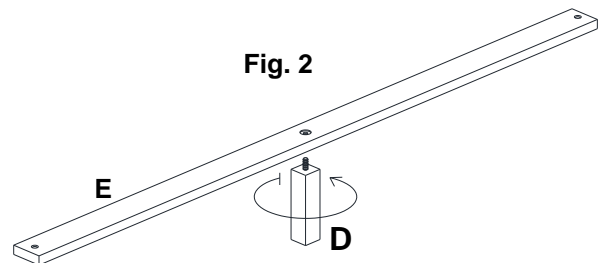
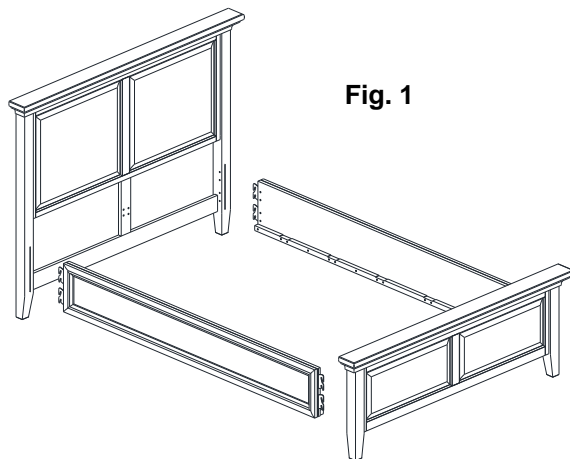
- (C) Side Rails - 2x
- (D) Leg Supports - 5x
- (E) Slats - 5x

**Hardware Enclosed Box 2:**

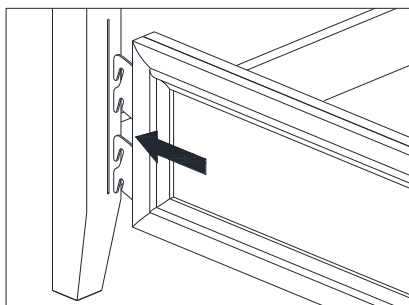


1. Attach the Side Rails (C) to Headboard and Footboard by inserting the hooks ends into the corresponding slots. Make sure that the connections are secure as shown in **fig. 1, illustration. 1**.
2. Attach the Leg Supports (D) to the Slats (E) by inserting the hanger bolts into the inserts on the Slats (E). Hand tighten until snug as shown in **fig. 2, illustration. 2**.

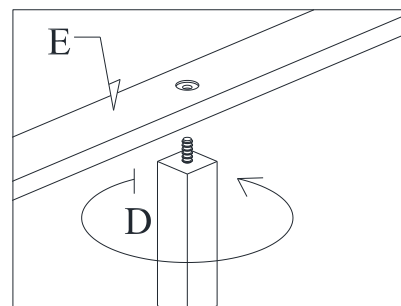
NOTE: Leg supports have adjustable glides at the bottom and can be adjusted to allow the slats to sit/stay evenly.



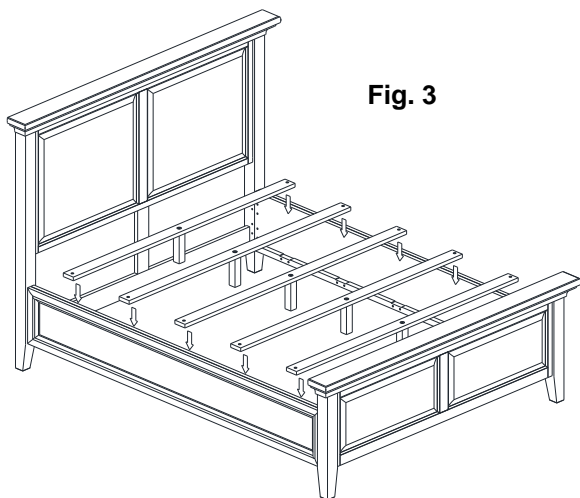
**Illustration. 1**



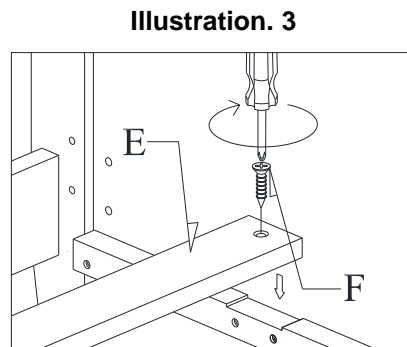
**Illustration. 2**



3. Lay the Slats (E) in place over the mattress support and insert the Screws (F) into the holes at the end of the Slats (E). Tighten with a Screwdriver (Not Included) as shown in **fig. 3, illustration. 3.**



**Fig. 3**



**Care Instructions:**

- Dust often using a clean, soft, dry and lint-free cloth.
- Blot spills immediately and wipe with a clean, damp, cloth.
- We do not recommend the use of chemical cleansers, abrasives or furniture polish on our lacquered finish.