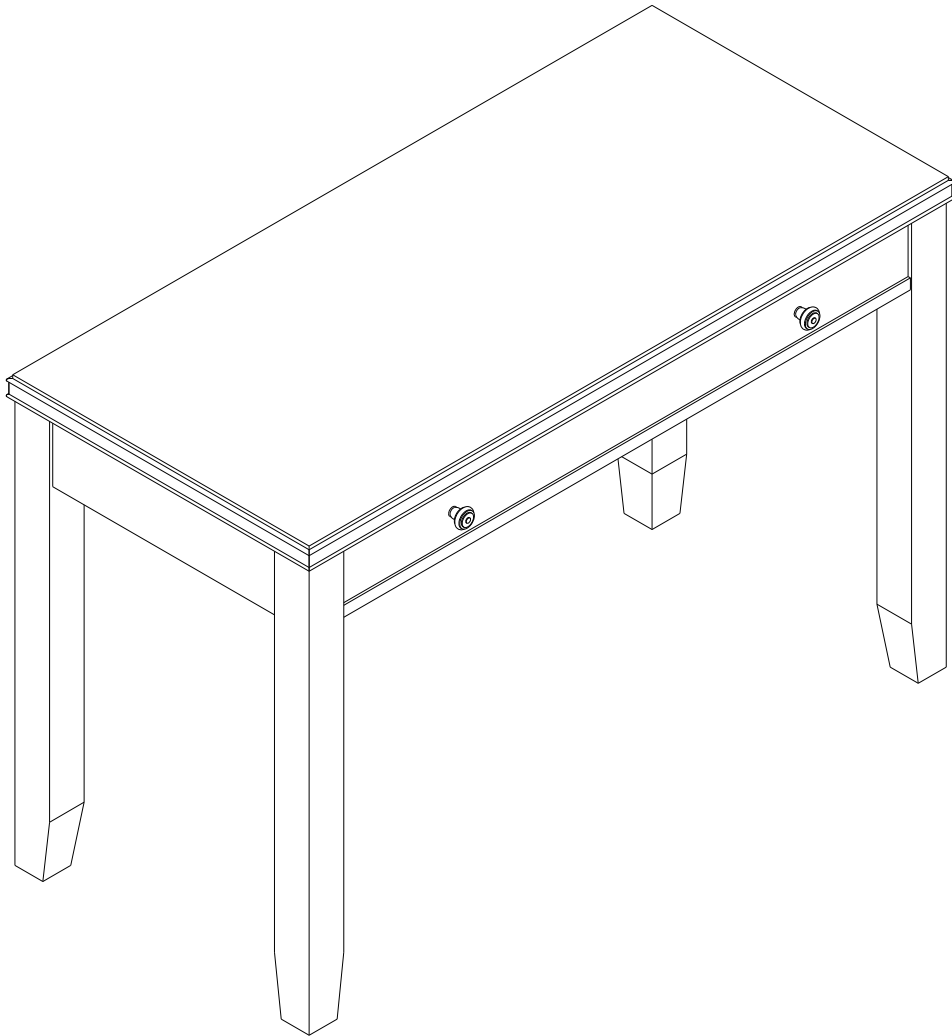


POTTERYBARN

Clara Desk

ASSEMBLY INSTRUCTIONS



Date: 2014-Nov-1

Rev:

www.potterybarn.com

IMPORTANT SAFETY INSTRUCTIONS:

- Please read all instruction carefully before assembling.
- For your safety, assembly by two or more adults is strongly recommended.
- Keep instructions for future use.
- Use only vendor supplied hardware to assembly. Using unauthorized hardware could jeopardize the structural integrity of the item.

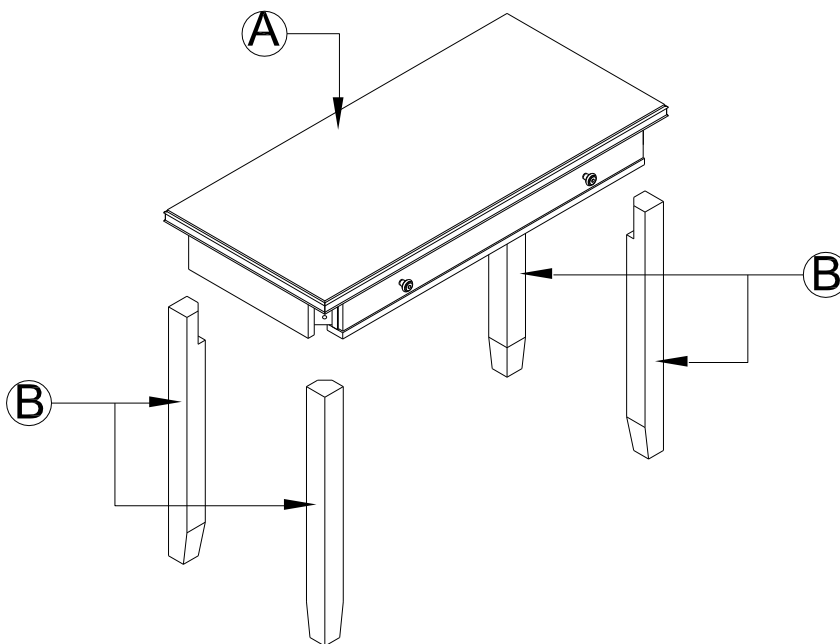
PRE- ASSEMBLY:

- Remove all parts and hardware from the box and place them on a carpeted or scratch-free work surface. The shipping box provides an ideal work surface.
- To avoid accidentally discarding small parts or hardware, please do not dispose of any contents until assembly is complete.
- Two people are recommended for your safety and ease of assembly.
- Prior to starting assembly, use the parts and hardware lists to identify and separate each of the pieces included.
- The illustrations provided allow for easier assembly when used in conjunction with the assembly instructions.
- Note: Do not fully tighten any bolts until all parts are in place. Failure to follow these instructions may cause the bolts to misalign during assembly.
- Please use caution if using power tools to aid in assembly. Power tools can damage hardware or split the wood.


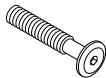


Parts included:

A – Top (x1)

B – Legs (x4)

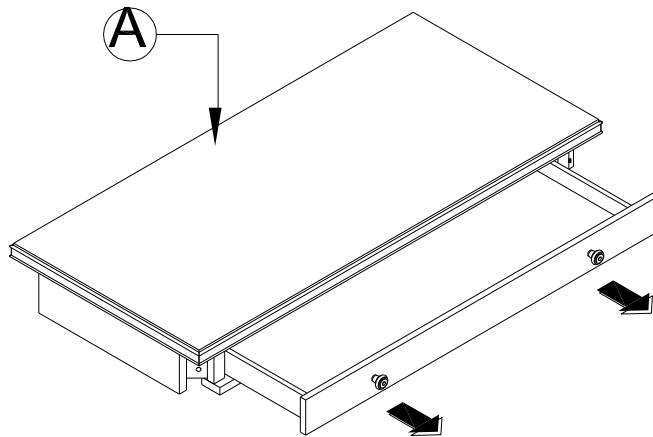


Hardware included:

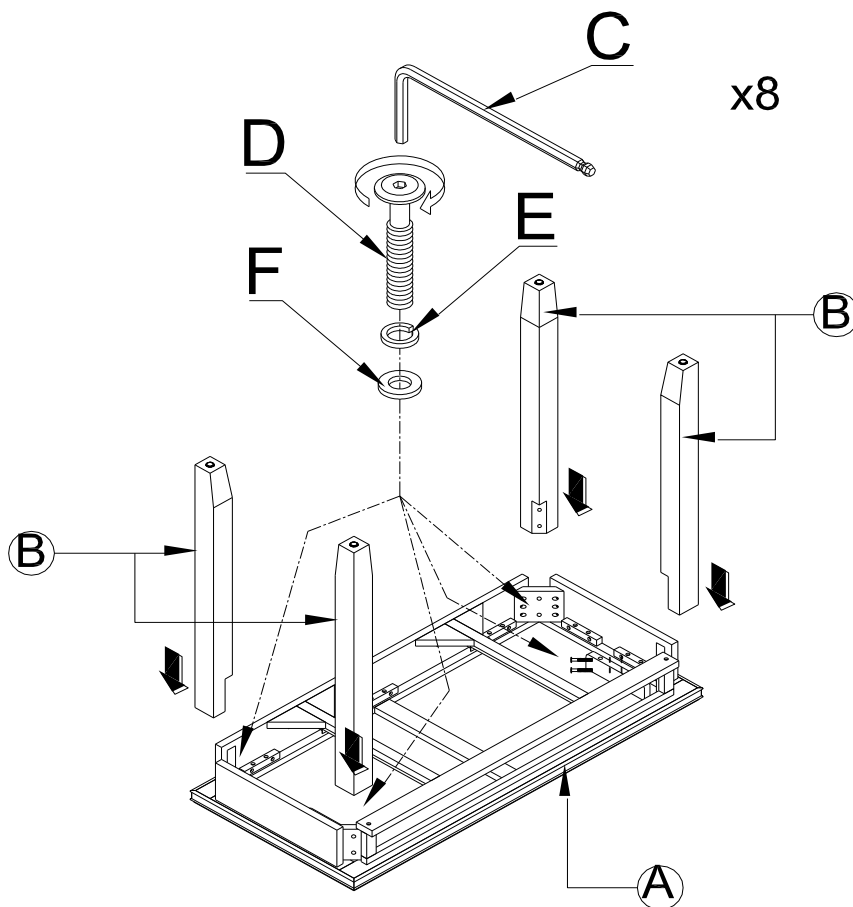
C – Allen Key	D – Bolt	E – Spring Washer	F – Flat Washer
			
4x95x30mm	5/16"x57xΦ15mm	5/16"x13x1.5mm	5/16"x15x1.5mm
1pc	8pcs	8pcs	8pcs

ASSEMBLY INSTRUCTION STEPS:

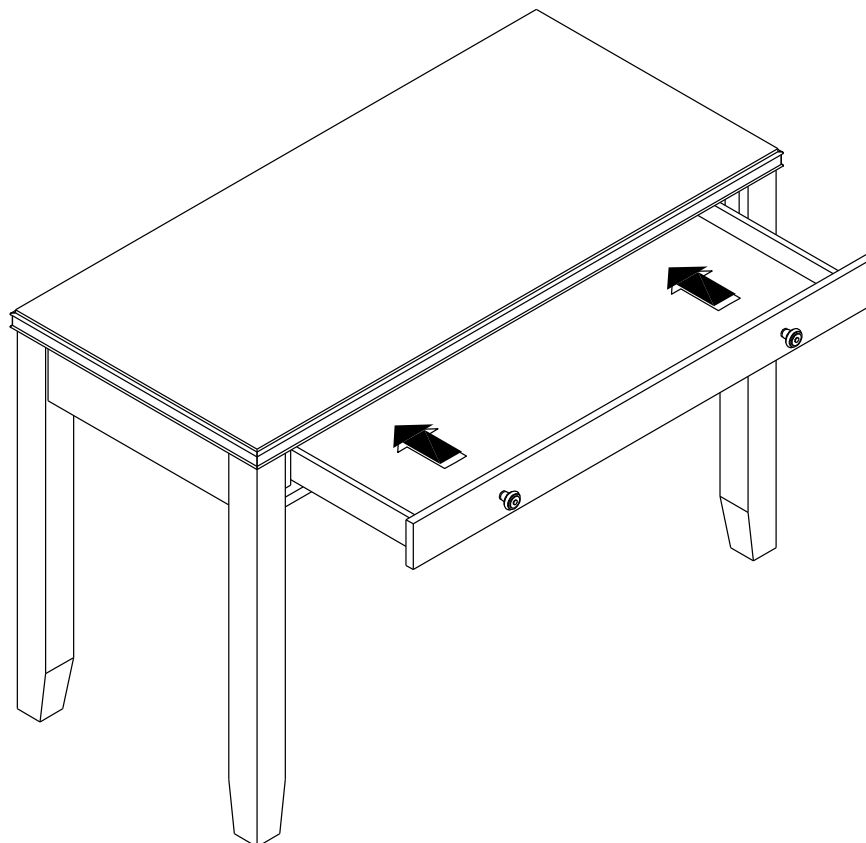
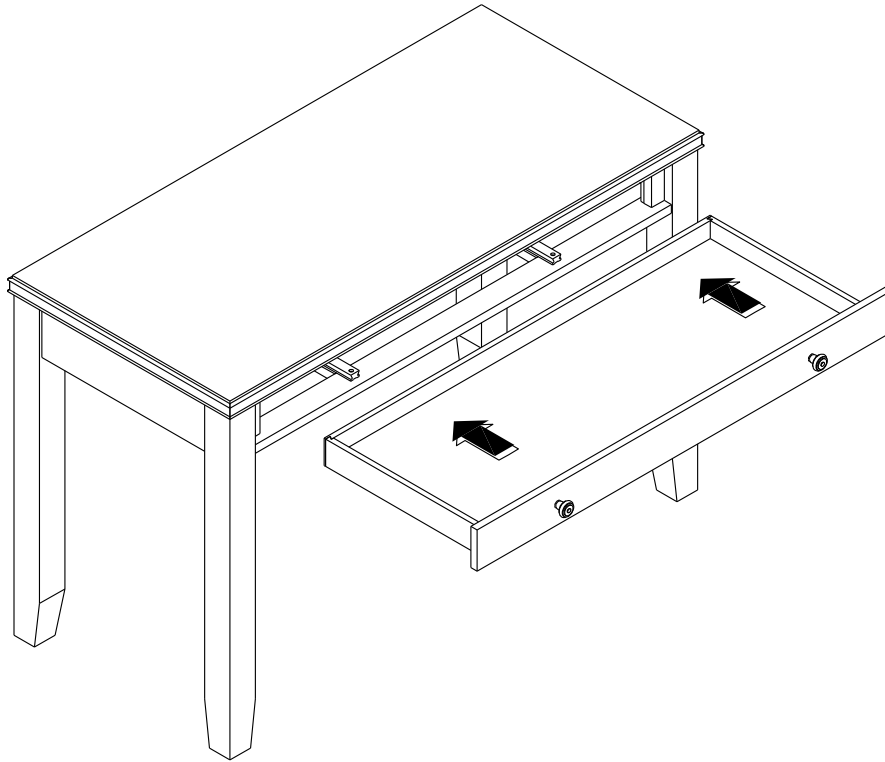
1. Place the Top (A) on a soft scratch-free surface such as a rug or carpet, as seen in the illustration below.
2. Remove the drawer by pulling all the way out. Keep it in a safe place for later use.



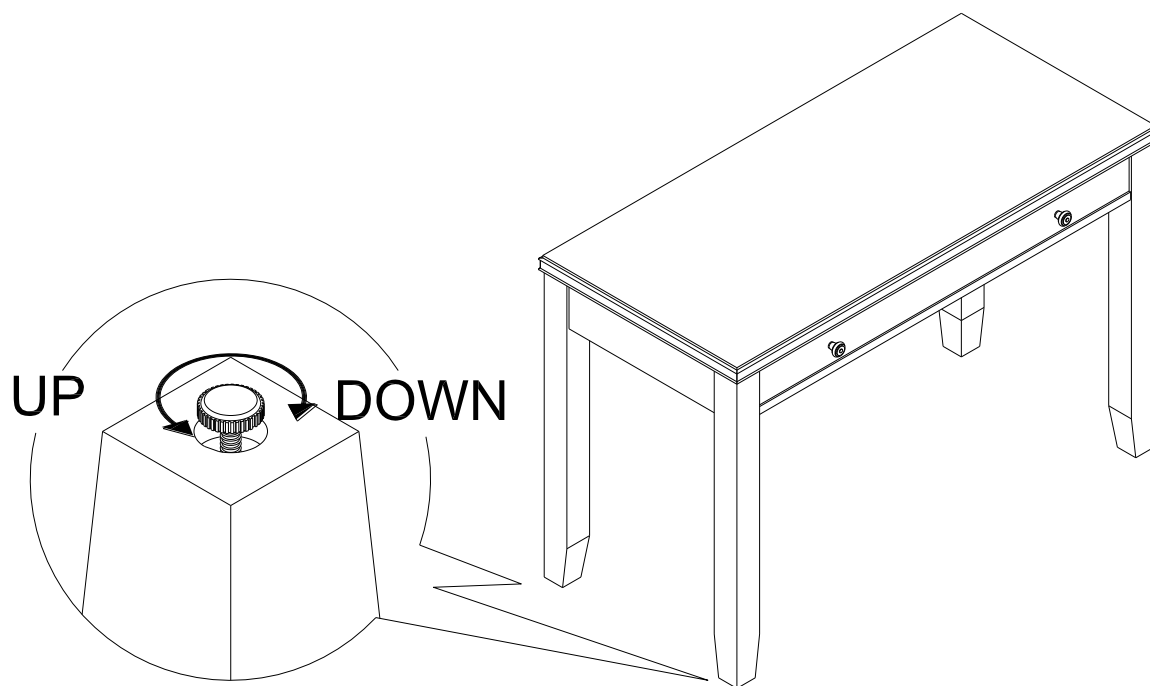
3. Position the Top (A) upside down for the next assembly.
4. Attach the 4 Legs (B) to Top (A), as seen in the illustration below.
5. Secure by inserting 8 sets of Flat Washer (D), Spring Washer (E) and Allen Bolt (D) to the pre-drilled holes of the corner block of the Top (A) into the metal inserts of the Legs (B).
6. Tighten the Bolts (D) using the Allen Key (C) as sen in the illustration shown below.



7. Turn the Desk to its upright position and assemble the drawer back by aligning the female and male wooden runners found underneath the drawer box as seen in the Illustration below.



8. If the Desk doesn't sit level, adjust the levelers found underneath the Legs either up or down.
9. Assembly is complete.



Care Instructions:

- Dust often using a clean, soft, dry and lint-free cloth.
- Blot spills immediately and wipe with a clean, damp, cloth.
- We do not recommend the use of chemical cleansers, abrasives or furniture polish on our lacquered finish.
- Hardware may loosen over time. Periodically check to make sure all connections are tight.
Re-tighten if necessary.

Thank you for your purchase
Stores | catalog | www.potterybarn.com