

POTTERY BARN

Cheswick Platform Bed (Full/Queen) Assembly Instructions

Pre- Assembly:

- Please read all instructions carefully before assembling.
- For your safety, assembly by two people is recommended.
- Remove all parts from the box and lay out on a clear carpeted or scratch-free work surface. (The shipping box provides an ideal work surface), this will avoid damaging any parts during assembly. Do not dispose of any contents until assembly is completed to avoid accidentally discarding small parts.
- Use the parts lists above to identify and separate each of the pieces included.

Parts Included:

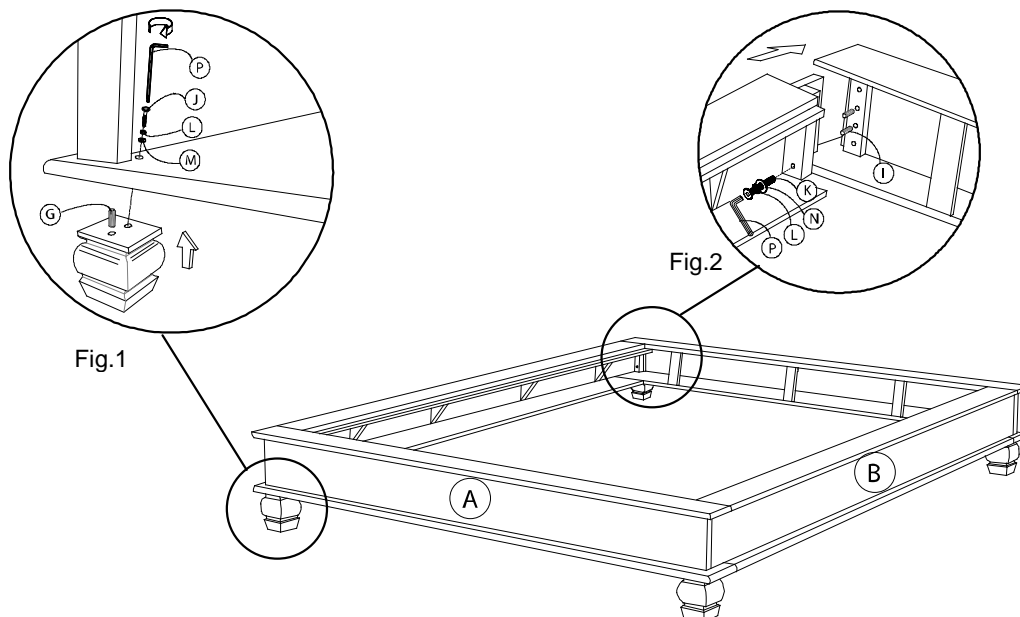
- (2) Headboard and Footboard (A)
- (2) Side Rail (B)
- (4) Bun Feet (C)
- (1) Center Beam (D)
- (3) Center Leg (E)
- (30) Slat (F)
- (2) Headboard and footboard Thin Panel (G)
- (2) Side Rail Thin Panel (H)

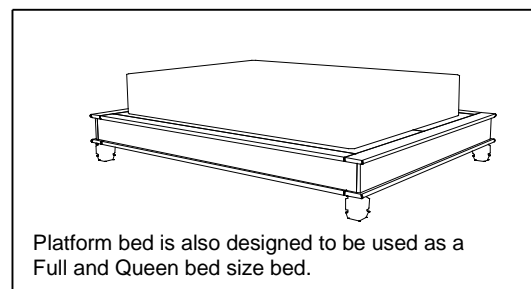
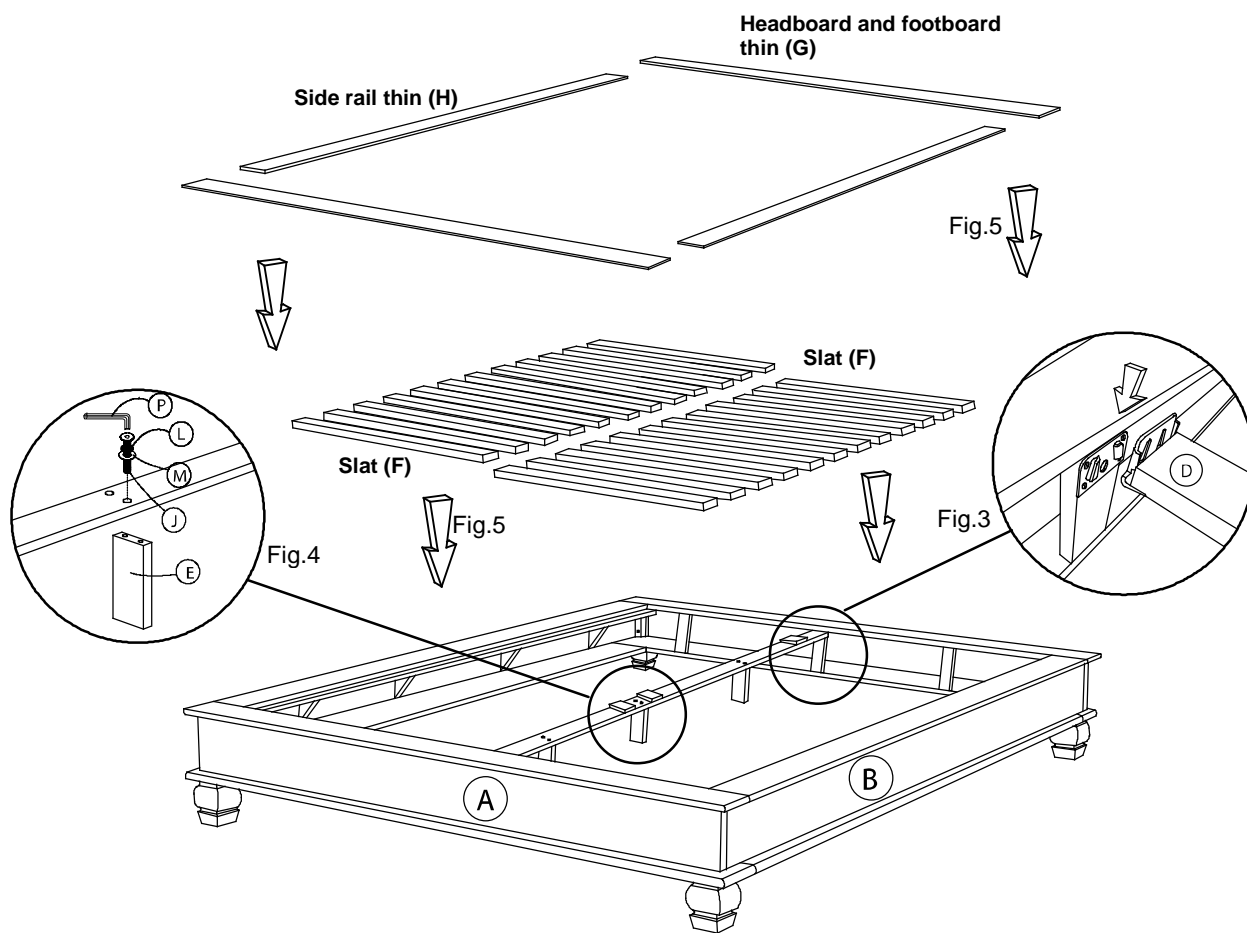
Hardware Included:

- (12) Wood dowel M8 x 30 (I)
- (10) JCBC Bolt M6 x 35 (J)
- (8) JCBC Bolt M6 x 60 (K)
- (18) Spring washer M6 (L)
- (10) Small flat washer M6 x 13 (M)
- (8) Large flat washer M6 x 16 (N)
- (8) Pan Head Screw M4 x 25 (O)
- (1) Allen key M4 (P)

Assembly Instructions:

- (1) Lay Attach the bun feet (C) with wood dowel (I) and insert the JCBC bolt M6 x 35 (J), spring washer (L), large flat washer M6 x 16 (N). Tighten with Allen key (P). (Fig. 1)
- (2) Attach the headboard and footboard (A) to side rail (B) with wood dowel (I), Insert the JCBC bolt M6 x 60 (K), spring washer (L), large flat washer M6 x 16 (N) into the pre-drilled. Tighten with the enclosed Allen key (P). (Fig. 2)
- (3) Attach the center leg (E) into the center beam (D) and insert JCBC bolt M6 x 35 (J), spring washer (L), small flat washer M6 x 13 (M). (Fig. 3)
- (4) Insert center beam (D) to fix the top and bottom headboard (A). (Fig. 4)
- (5) Put the slat (F), headboard and footboard thin panel (G) and side rail thin panel (H) as show in the illustration. (Fig. 5)





Adjusting Levelers:

Due to an uneven floor the furniture may not sit level causing the doors to misalign or the piece to wobble. If either occurs, determine which corner is not level. With two people follow these steps:

- (1) Carefully elevate the item slightly to provide access to the levelers under that corner.
- (2) Turn the levelers until adequate contact will be made with the floor. Gently set down the piece and check door alignment and stability.
- (3) Repeat steps until furniture sits firmly and doors are properly aligned.

Care Instructions:

- Dust with a clean, soft cloth
- Avoid the use of chemicals and harsh cleaning agents

thank you for your purchase
stores | catalog | www.potterybarn.com