

POTTERY BARN

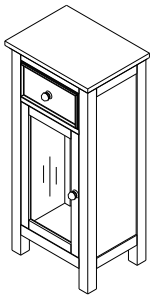
Lucca Storage Floor

PRE-ASSEMBLY:

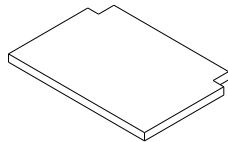
- Please read all instructions before beginning assembly.
- For your safety and convenience, assembly by two people is recommended.
- Use the parts and hardware lists to identify and separate each of the components included.
- Save all packing materials until assembly is complete to avoid the accidental discarding of smaller parts or hardware.

WARNING: INSTALLING AN ANTI-TIP KIT IS NEEDED TO PREVENT INJURY FROM TIPPING FURNITURE

Parts Included:



Storage (1pc) - A



Wooden Shelf (1pc) - B

Hardware Included :



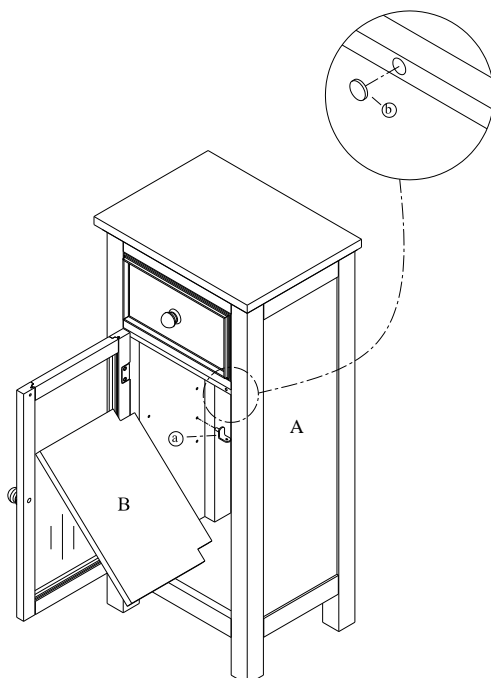
Shelf pin (4pcs) - a



Rubber bumper (2pcs) – b

Assembly Instructions:

1. To install the shelf: insert the L-shape shelf pins (a) into the pre-drilled holes on the interior side of the storage (A) to set each shelf at a desired level – FOUR per shelf. Once all four shelf pins (a) are in position, gently place wooden shelf (B) onto the L-shape shelf pins (a).
2. Attach the adhesive rubber bumper (b) over the magnet in the storage (A) (Optional).



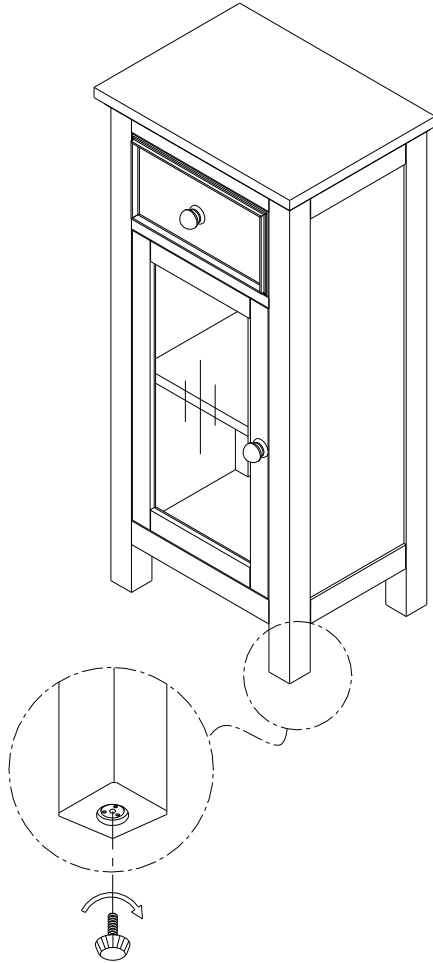
POTTERY BARN

Lucca Storage Floor

Adjusting Levels:

Due to an uneven floor the furniture may not sit level due causing it to wobbles. If the piece wobbles, determine which corner does not touch the ground correctly. With two people follow these steps:

- (1) Carefully lift the item slightly to provide access to the levelers attached to the bottom.
- (2) Turn the levelers until adequate contact will be made with the floor. Gently set down the piece and check stability.
- (3) Repeat steps until furniture sits firmly on the ground.



Care Instructions:

- Wipe the storage with a soft, dry cloth.
- To protect the finish, avoid the use of all chemical and household cleaners and abrasives as they may damage finish

thank you for your purchase
stores | catalog | www.potterybarn.com