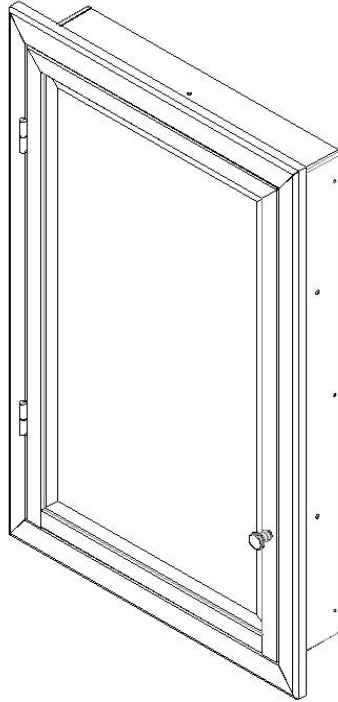


POTTERY BARN



Clermont Metal Med Cab Large

Important Safety Instructions:

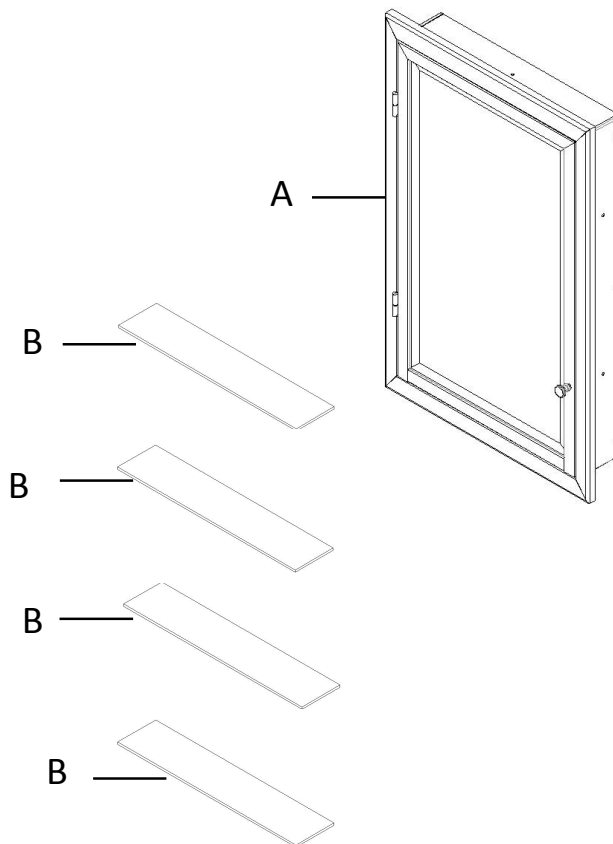
- **Note:** Professional installation required
- Please read all instructions carefully before assembling.
- For your safety, assembly by two or more adults is strongly recommended.
- Keep instructions for future use.
- Use only vendor supplied hardware to assemble. Using unauthorized hardware could jeopardize the structural integrity of the item.
- This hanging system is meant for drywall/stud mounting only.
- If walls are concrete, brick or plaster, please consult your local hardware store for assistance.
- The maximum individual shelf weight capacity is 20lbs. Do not exceed the load capacity.

Pre-assembly:

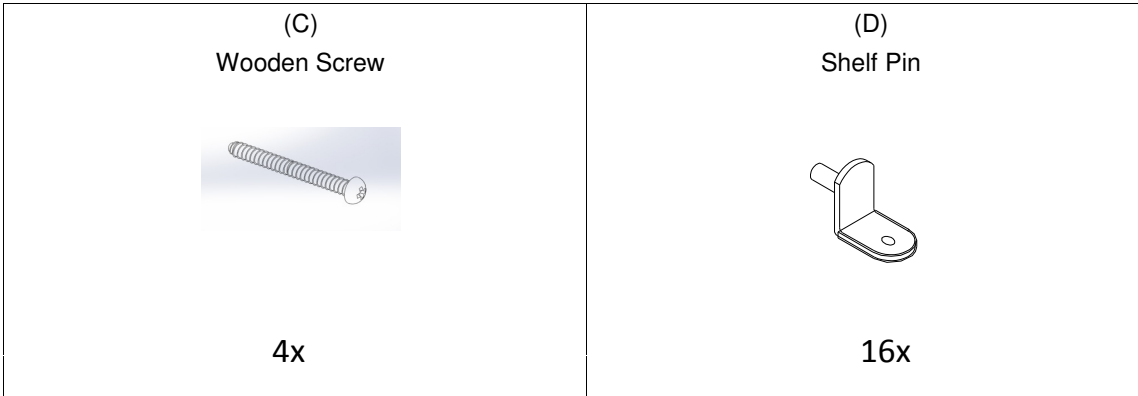
- Remove all parts and hardware from the box and lay out on a clear carpeted or scratch-free work surface, as this will avoid damaging parts during assembly. The shipping box provides an ideal work surface.
- Do not dispose of any packaging or contents of the shipping carton until assembly is completed to avoid accidentally discarding small parts or hardware.
- Use the parts and hardware lists below to identify and separate each of the pieces included.
- The illustrations provided allow for easier assembly when used in conjunction with the assembly instructions.
- The use of power tools to aid in assembly is not recommended. Power tools can damage hardware and split wood.

Parts Included:

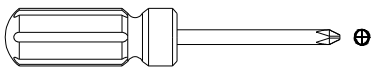
- (A) Cabinet 1X
- (B) Glass Shelf 4X



Hardware Included:



Tools required (not included):



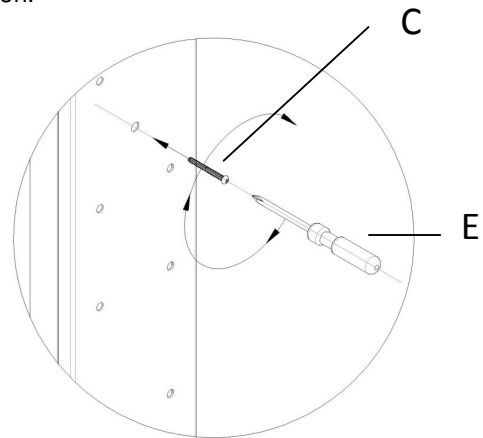
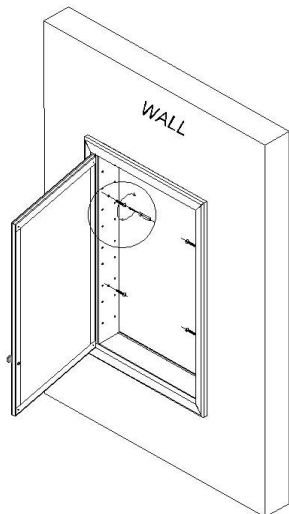
(E) Phillips Head Screwdriver

Assembly Instruction Steps:

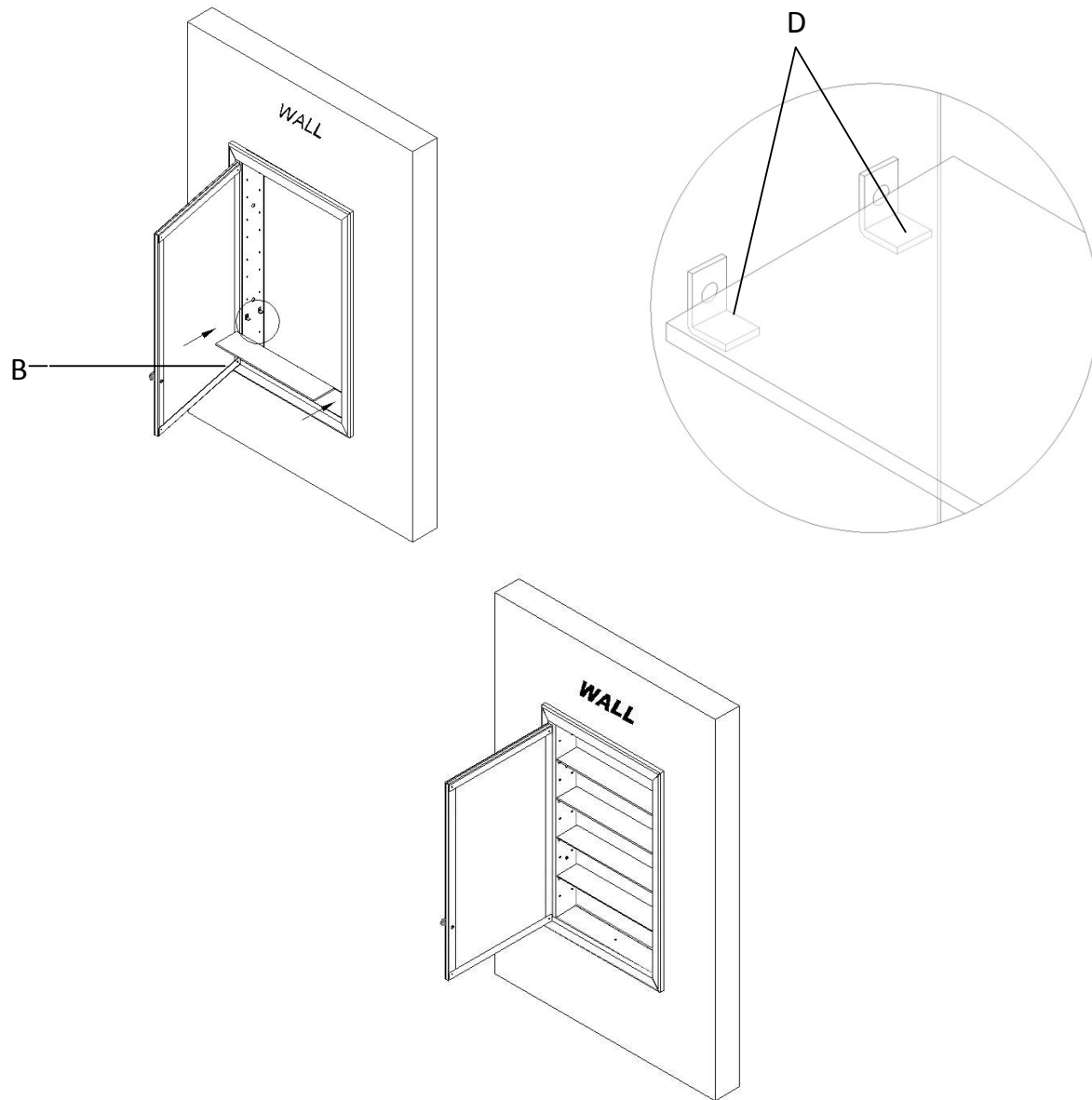
1. MOUNT CABINET TO THE WALL

- 1) Mark the desired location on the wall for installation.
- 2) After verifying the dimensions of the recessed portion of the cabinet, use appropriate tools to cut a rectangle in the wall covering (sheetrock). Use the level to make sure that the cutout is true and level.
Note to the professional installer: Once the sheetrock cutout is removed, it is likely that at least one wall stud will interfere with the inserted portion of this cabinet (A) and that some internal framing will be required. This will likely include cutting a section from the interfering stud and adding stud sections to ensure that there is wood support located adjacent each side of this cabinet (A) when it is inserted.
- 3) After the appropriate stud cutting and framing has been done, insert the cabinet (A) into the recess and ensure that it fits snugly and is true. Adjust and shim as necessary and make sure that the outer molding of the cabinet (A) lies flush against the wall surface.
- 4) While holding the cabinet (A) firmly in the recess, insert mounting screws (C) into the holes located along the inside side panels of the cabinet (A). Using a Phillips head screwdriver (E), screw each of the mounting screws (C) into the adjacent wall studs or wood support structure until tight.

Note: Cabinet cannot be rotated to adjust door opening direction.



2. **To install the shelf:** Insert the shelf pin (D) into the pre-drilled holes on the interior side of the cabinet (A) at desired level. Gently place glass shelf (B) onto the shelf pin (D). Repeat this step for the other shelves.



Care Instructions:

- Dust often using a clean, soft, dry and lint-free cloth.
- Blot spills immediately and wipe with a clean, damp, cloth.
- We do not recommend the use of chemical cleansers, abrasives or furniture polish on our lacquered finish.
- Hardware may loosen over time. Periodically check to make sure all connections are tight.
Re-tighten if necessary.

Thank you for your purchase
Stores | catalog