

POTTERY BARN

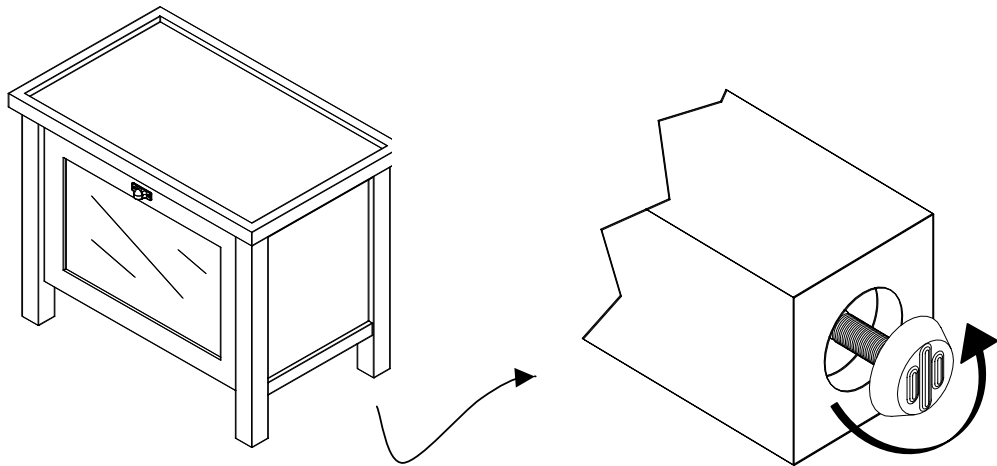
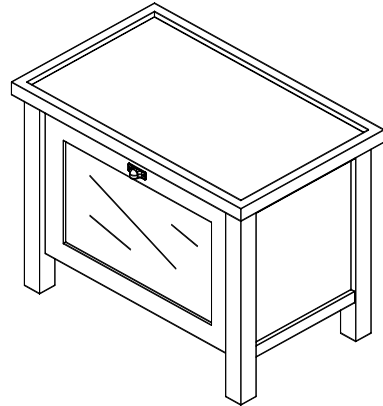
STINSON STOOL Assembly Instructions

Pre-Assembly:

- Please read all instructions carefully before beginning assembly.
- For your safety, assembly by two people is recommended.

This console may not sit level due to uneven floors. If this occurs, follow these steps:

- **If left side does not touch the floor:** Carefully grasp the left side of the console. Elevate it slightly to provide access to the levellers attached to the base of the LEFT legs. Turn the levellers in a counter-clockwise direction. Carefully return console to its upright level position.
- **If right side does not touch the floor:** Carefully grasp the right side of the console. Elevate it slightly to provide access to the levellers attached to the base of the RIGHT legs. Turn the levellers in a counter-clockwise direction. Carefully return console to its upright level position.
- If the console is still not level, repeat the above steps.



Care Instructions:

- Use a soft dry or slightly damp cloth to clean daily.
- Wipe up spills immediately.
- To protect the finish always avoid the use of chemical and abrasive cleaners.

thank you for your purchase
store | catalog | www.potterybarn.com