

P O T T E R Y B A R N

Wall Barrel Dispenser

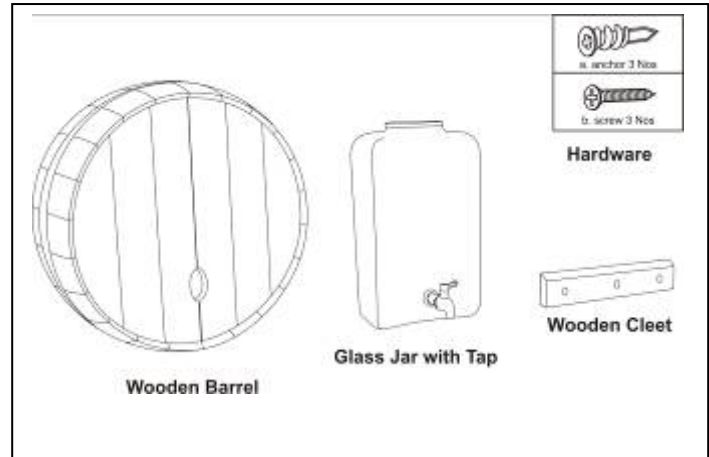
Mounting instruction

Tools Needed: Level, Tape Measure, Stud Finder, Phillips Screwdriver, Pencil

Hardware Included: (3) Anchors and (3) Screws

Components: (1) Wooden Barrel, (1) Glass Jar and (1) Wooden Cleat

Maximum total weight capacity for this product is 25 pounds (11.3 Kg).

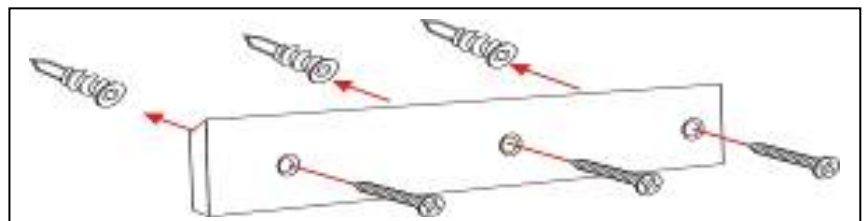


Mounting Instruction:

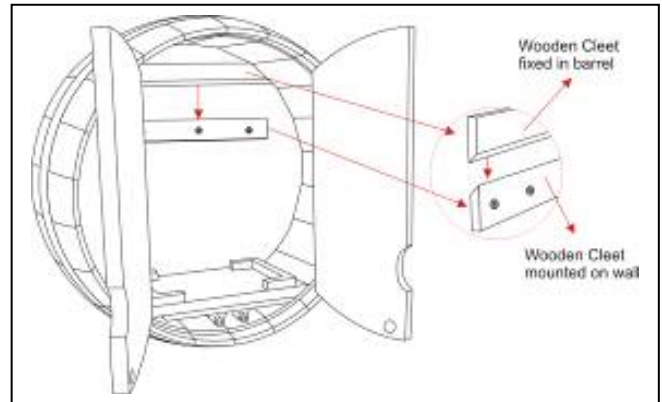
You will notice that the rear of the barrel includes a horizontal wooden cleat (located about 3-4 inches from the top of the barrel). This is used to mount the barrel section to a wall. It will engage a wall-mounted cleat, after you mount it to a wall.

- 1) Remove the jar from the barrel and then with the help of two other people hold the barrel section against a wall so that it is vertically straight (use the barrel slats on the front door to help align the barrel straight). Open the front doors and use a pencil to mark the wall along the bottom edge of the barrel-mounted wooden cleat. Set the barrel aside.
- 2) Use a level to confirm that the pencil line of Step (1) is level and adjust it now, if necessary. Hold the top edge of the wall-mounted cleat along this line and then use a pencil to mark the wall through each of the three holes of the cleat. Note that the wall-mounted cleat must be mounted with the sharp edge facing up and away from the wall, as shown in the below illustrations.
- 3) The provided anchors cannot penetrate wood studs. If any of the three marks of marks of Step (2) happens to align with a wood stud (use a stud-finder to determine this), secure only the screw at the mark directly into the stud when instructed to do so below.
- 4) For marks that do not align with a wall stud, install an anchor. The anchor helps the screw grip to the wall. To install the anchor, engage a Phillips screwdriver with an anchor and position the anchor's tip over one of the three marks on the wall. Firmly push the anchor into the wall as you rotate it clockwise. The anchor will drive itself into the wall like a large screw. Continue rotating until the wide part of the anchor becomes even with the wall.
- 5) Hold the wall cleat against the wall so that the three holes align with either installed anchors, or aligned stud marks. **MAKE SURE THAT THE WALL CLEAT IS POSITIONED CORRECTLY, AS SHOWN HERE:**

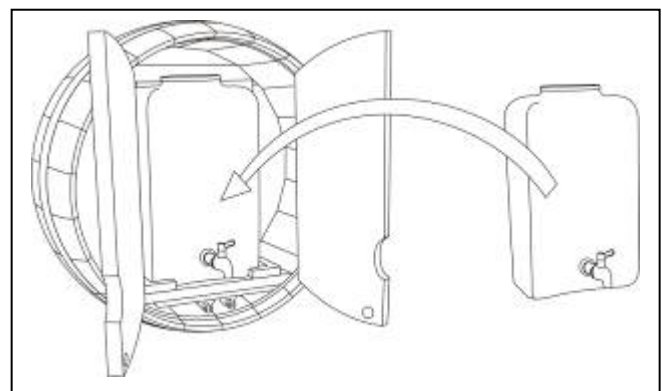
Use a screwdriver and the provided screws to secure the wall cleat to the wall. Each screw must pass through one of the three holes of the cleat and into the wall or anchor. Rotate the screws until tight.



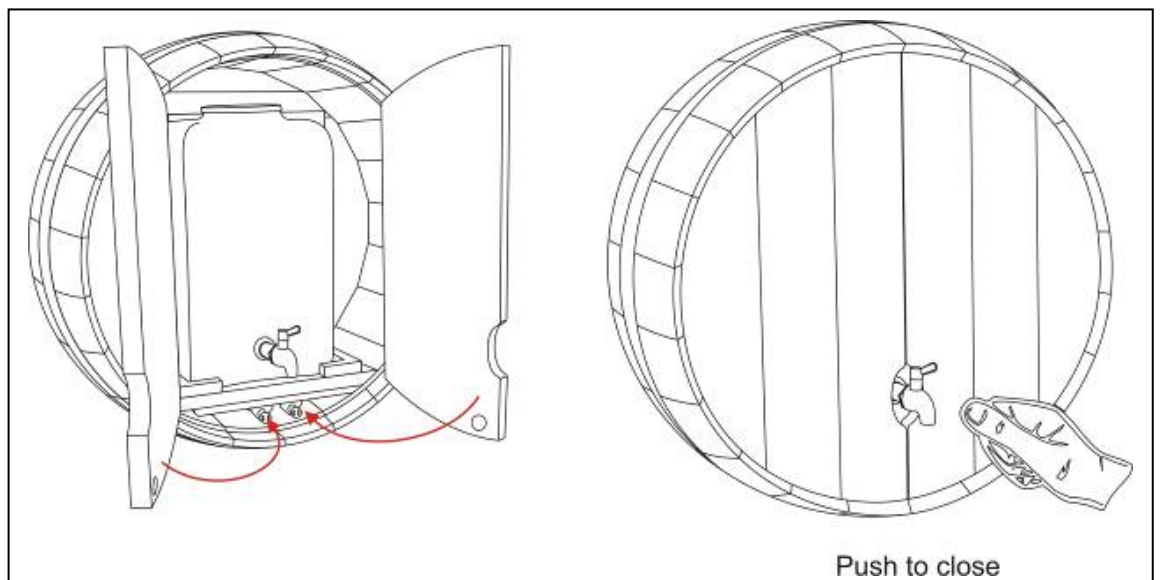
- 6) Now place wooden Barrel on Wooden cleat securely, as shown.



- 7) Place the glass jar (filled with a beverage) in The wooden barrel, as shown.



8. Push the doors to close and use.



Care Instructions:

Wipe with a soft, dry cloth. To protect the finish, do not use household cleaners or abrasives.