

P O T T E R Y B A R N

Bamboo Metal Accent Table

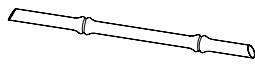
Pre-assembly:

- Please read all instructions carefully and completely before beginning assembly.
- For your safety, two people are recommended for assembly.
- Remove all parts and hardware from boxes along with any protective packaging. Identify each part and each piece of hardware included. Do not discard any contents until assembly is complete to avoid accidentally discarding of small parts or hardware.
- Keep all parts out of the reach of children.

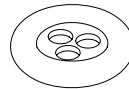
Parts Included:



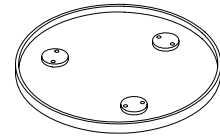
A. Leg w/plate (3pcs)



B. Leg (3pcs)



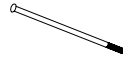
C. Metal ring (1pc)



D. Table top (1pc)

Hardware Included:

E. Metal rod Dia14mm/Dia8mmx365mm (3pcs)



F. Lock washer 8mm (9pcs)



G. Allen key 5mm (1pc)



H. Metal washer 8mm (6pcs)



I. Bolt 8mm x 13mm (6pcs)

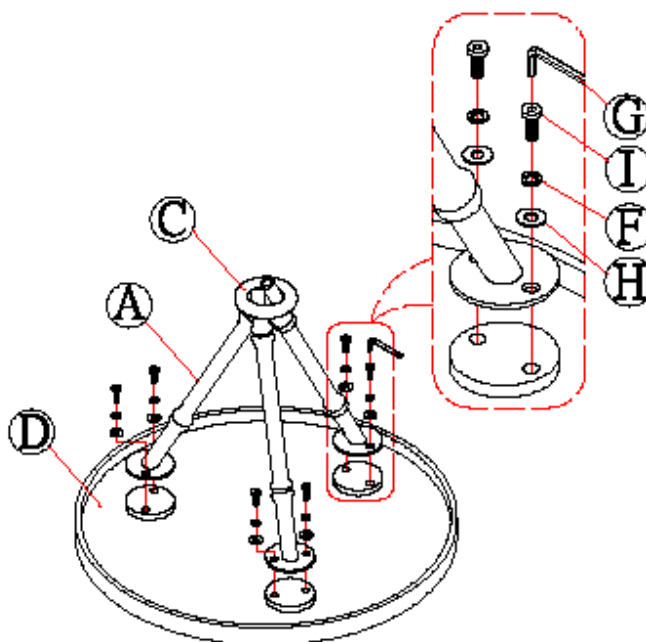


J. Nylon glide (3pcs)



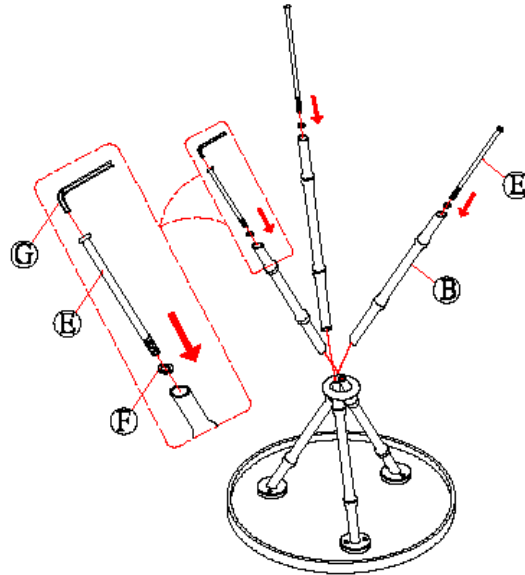
Step 1:

Carefully position the Table Top (D) upside down on foam or soft padding to protect the surface. Align the pre-drilled holes of the Leg with Plate (A) round plate to pre-drilled holes of Table Top round plate. Place the Metal Washer (H), Lock Washer (F) and Bolt (I) in succession, secure by tightening with the Allen Key (G). Repeat Step 1 to assemble the other two legs to the tabletop. Please refer to below image. **Carefully set the Metal Ring(C) onto the three (A) legs.**



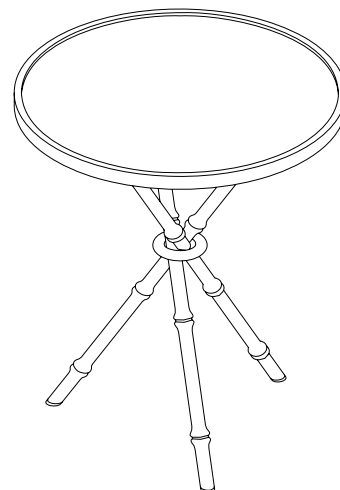
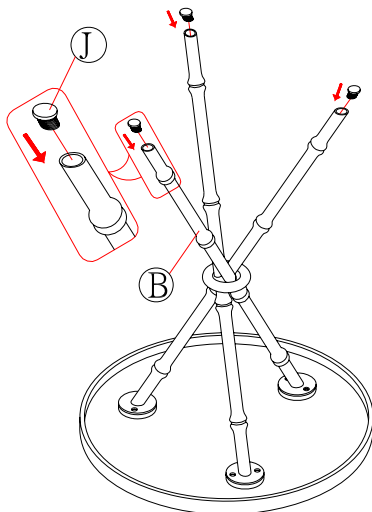
Step 2:

Assemble the Leg (B) to the Leg with Plate (A) by aligning the Lock Washer (F) and Metal Rod (E) through the short and small end under bamboo knot of Leg (B). Secure by tightening the Metal Rod (E) with an Allen Key (G). Please see below image for your reference. Repeat Step 1 to assemble the other two legs.



Step 3:

Insert the Nylon Glides (J) into the holes on the Leg (B). Carefully lift up the assembled bamboo table. **Caution:** For safe handling, 2 people are recommended.



Care Instructions:

Dust with a clean, dry, soft damp cloth. Wipe dry immediately. Avoid all types of abrasive, chemicals, harsh cleaners and rough cleaning pads and polishes.

thank you for your purchase

stores | catalog | www.potterybarn.com