

POTTERY BARN

Charlotte Headboard

Pre-Assembly:

- Please read all instructions before beginning assembly.
- Two-person assembly is recommended.
- Save all packing materials until assembly is complete to avoid accidentally discarding smaller parts or hardware.

Parts and Hardware Included:

(1) Headboard

(A) Allen key

(B) Allen bolt

(C) Lock washer

(D) Flat washer

(E) Sleeve Nut



1 pc.

6 pcs.

6 pcs.

6 pcs.

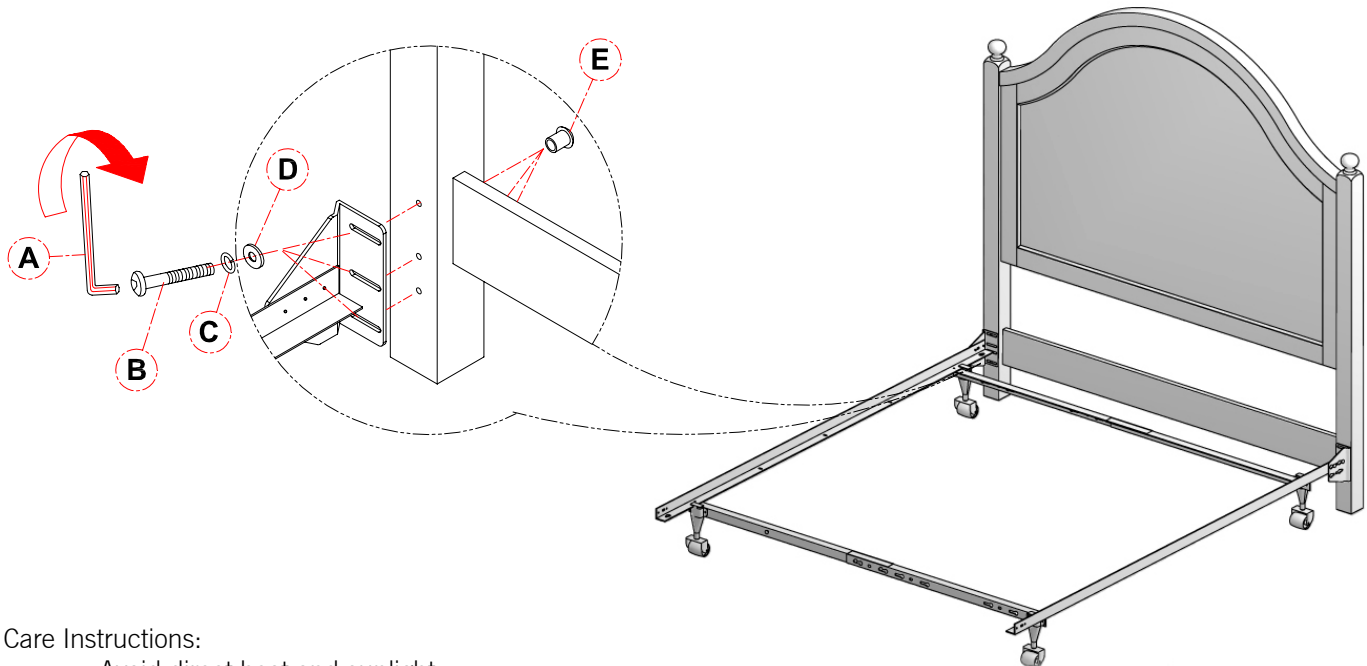
6 pcs.

Needed for Assembly:

Pre-assembled bed frame (not included)

Assembly Instructions:

1. Hold headboard upright and tilted slightly towards the faceplates of the pre-assembled bed frame.
2. Align the slots in the faceplate with the pre-drilled holes of the headboard.
3. Insert an allen bolt (B) into a lock washer (C) and then through a flat washer (D).
4. Insert sleeve nut (E) from back of pre-drilled holes of headboard. Secure by tightening bolt using enclosed Allen key (A).
5. Tighten all sleeve nuts. Periodically tighten all connections.



Care Instructions:

- Avoid direct heat and sunlight.
- Dust lightly and vacuum weekly.

thank you for your purchase
stores | catalog | www.potterybarn.com