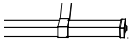


# POTTERY BARN

## Mirror Etagere Iron Bedside Table Assembly Instructions

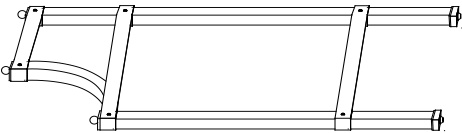
- Please read all instructions before beginning assembly.
- For your safety and convenience, assembly by two people is recommended.
- Use the parts and hardware lists to identify and separate each of the component included.
- Save all packing materials until assembly is completed to avoid the accidental discarding of smaller parts or hardware.

### Tools Required:

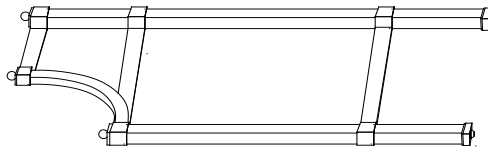


(1) Allen key

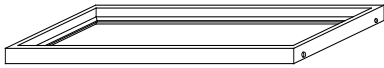
### Parts Included:



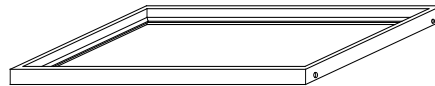
(1) Side Frame (Left) - A 1



(1) Side Frame (Right) – A 2



(1) Top Frame-B



(2) Shelf Frame - C



(1) Antique Mirror (Top) - D



(2) Antique Mirror (shelf) - E

### Hardware Included:



(12) Bolts - a



(12) Lock Washer - b



(12) Flat Washer - c

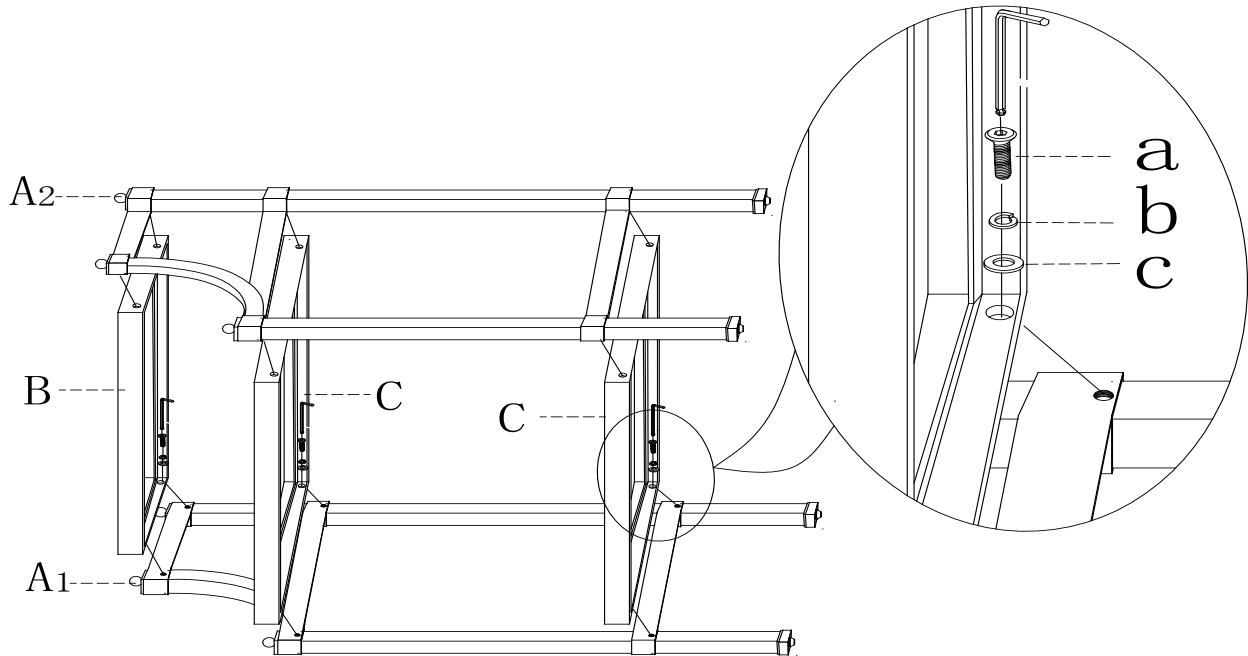


(12) Rubber Pad - d

**Assembly Instructions:**

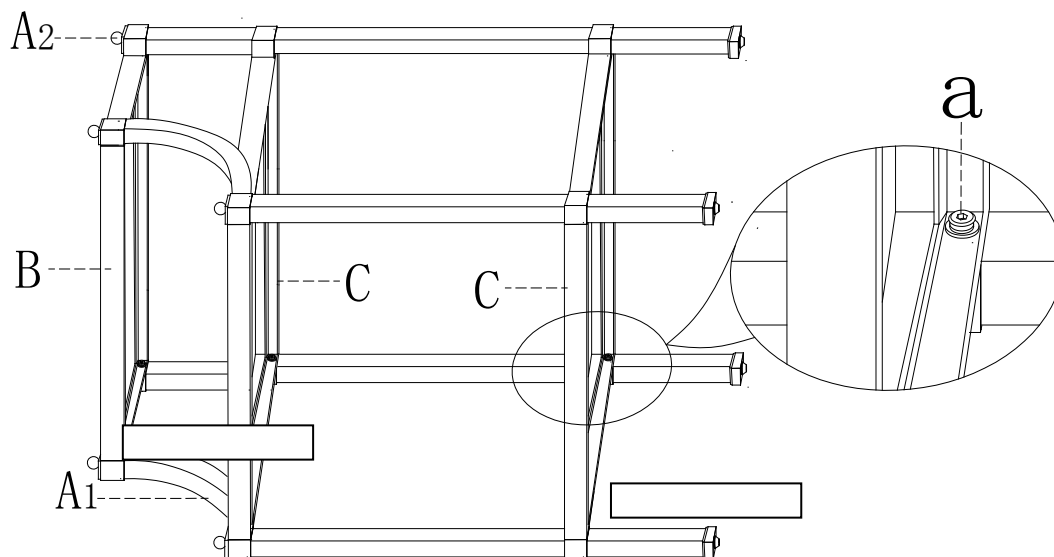
1. Assemble the table on soft, scratch-free surface such as a carpet or rug.
2. Attach the Top frame (B) and Shelf frame (C) to the Left side frame (A1) using Bolt (a), Lock washer (b), Flat washer (c), and loosely tighten the Bolts (a) with Allen key. Then attach the Right side frame (A2) to the Top frame (B) and Shelf frame (C), loosely tighten the Bolts (a) with Allen key. See **Figure 1**.

**Figure 1**

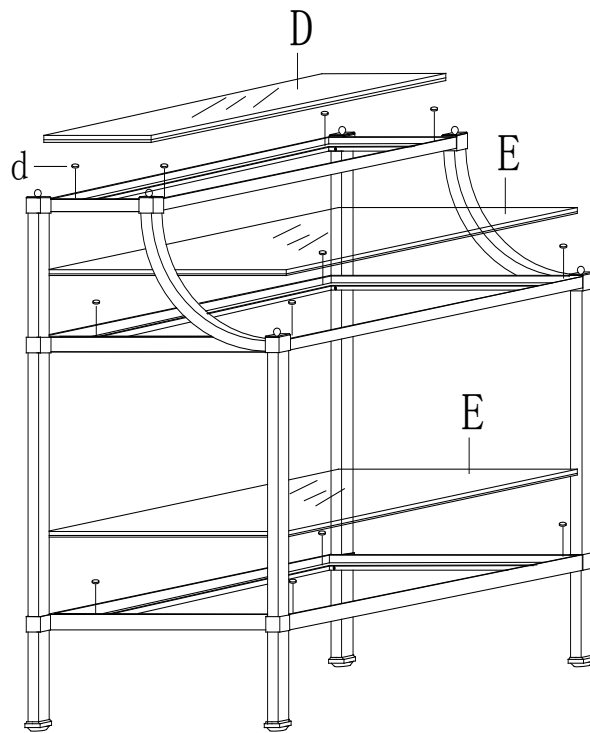


3. Securely tighten all the Bolts (a) by Allen key, But do not over tighten them. See **Figure 2**.

**Figure 2**



4. Turn the assembled table to upright position. Put the Rubber pad (d) on the top of Top frame (B) and Shelf frame (C) as shown, then gently lay the Antique mirror (D) & (E) on the Top frame (B) & Shelf frame (C). See **Figure 3**.



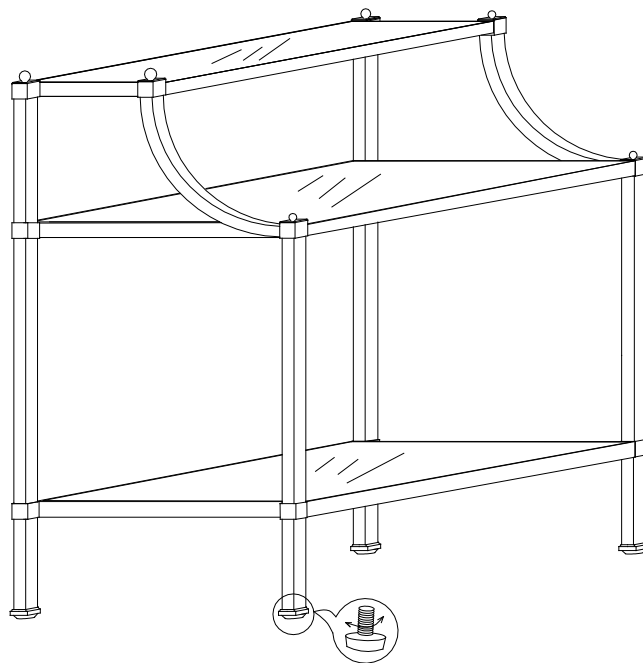
**Figure 3**

**5. Adjusting the levelers:**

Due to an uneven floor, the furniture may not sit level due causing it to wobble. If the table wobbles, determine which corner does not touch the ground correctly. With two people follow these steps:

1. Carefully elevate the item slightly to provide access to the levelers attached to the bottom. **(Figure.4)**
2. Turn the levelers until adequate contact will be made with the floor. Gently set down the piece and check stability.
3. Repeat steps until furniture sits firmly on the ground.

**Figure 4**



6. Assembly is now completed.

**Care Instructions:**

- Dust with a clean, soft damp cloth and wipe dry immediately.
- Avoid the use of chemicals and harsh cleaning agents.

thank you for your purchase  
stores | catalog | [www.potterybarn.com](http://www.potterybarn.com)