

P O T T E R Y B A R N

New Metropolitan TV Stand Assembly Instructions

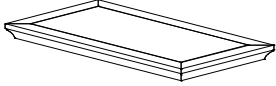
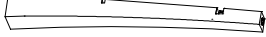
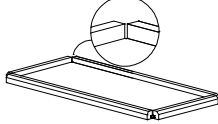
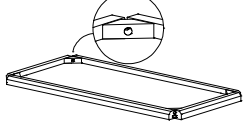
Pre-Assembly:

- Please read all instructions before beginning assembly.
- Remove all parts and hardware from packaging and compare with parts and hardware listed. Do not discard any contents until the assembly is completed.
- This stand requires two people to do assembly





CAUTION

The top shelf of this cart/stand is intended for use with:
Plasma/HD televisions having a maximum screen size of 37 inches and weight of 90 lbs.
All other support shelves should not be loaded more than 25 lbs.
DO NOT EXCEED RECOMMENDED LOAD. Use with products heavier than the maximum sizes and weights indicated may result in instability causing possible injury.
Do not allow children under 16 years to move cart.

Parts Included:

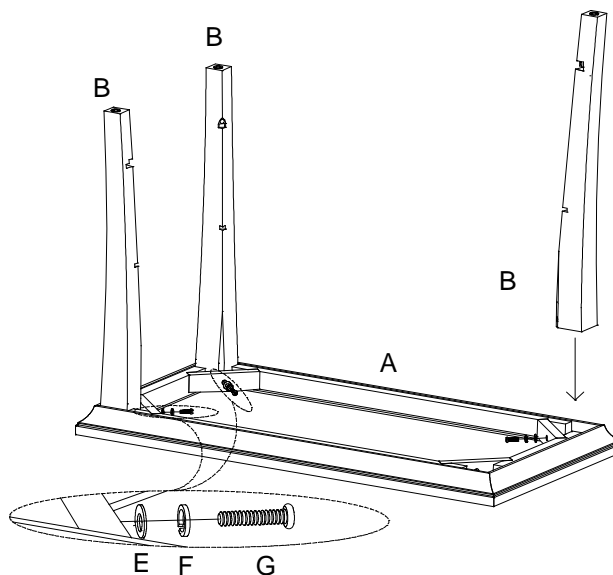
(1) Top - A	(4) Leg - B	(1) Middle Shelf - C	(1) Bottom Shelf (D)
			

Hardware Enclosed:

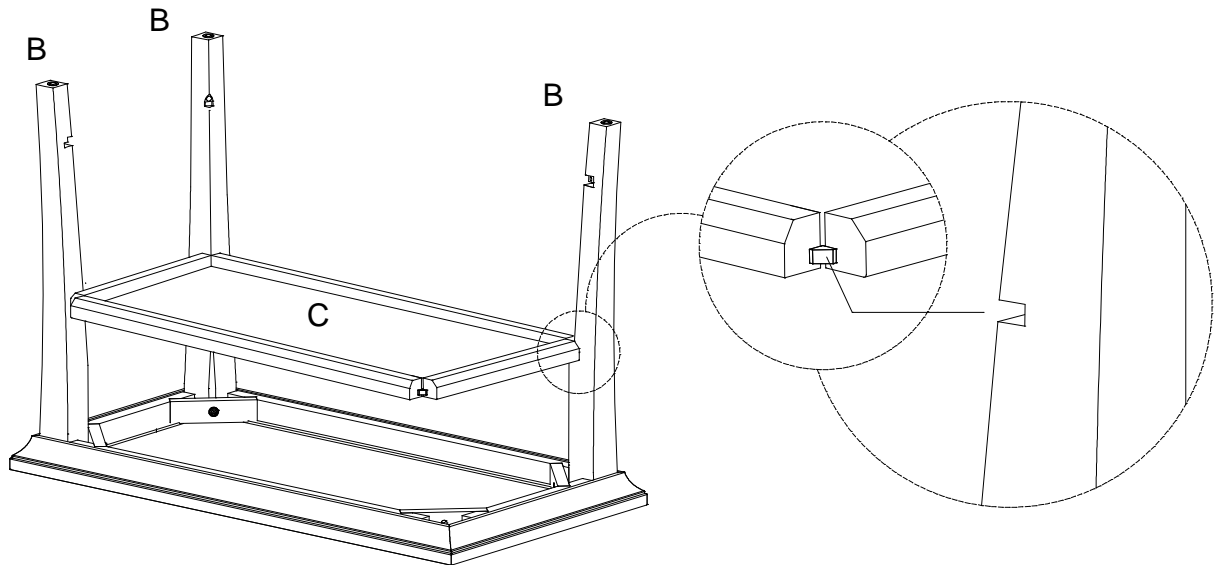
(8) Flat Washers - E	(8) Lock Washers - F	(8) Allen Bolts - G	(1) Allen Key - H
		 1/4" x 45 mm	

Assembly Instructions:

1. Lay the Top (A) upside down on carpet or the foam in shipping box. Attach 3 Legs (B) to Top (A) by inserting the leg into corner brace on top. Secure with Flat Washer (E), Lock Washer (F) and Allen Bolts (G) by hand, turn in half way only. Do not use Allen Key (H) to tighten.

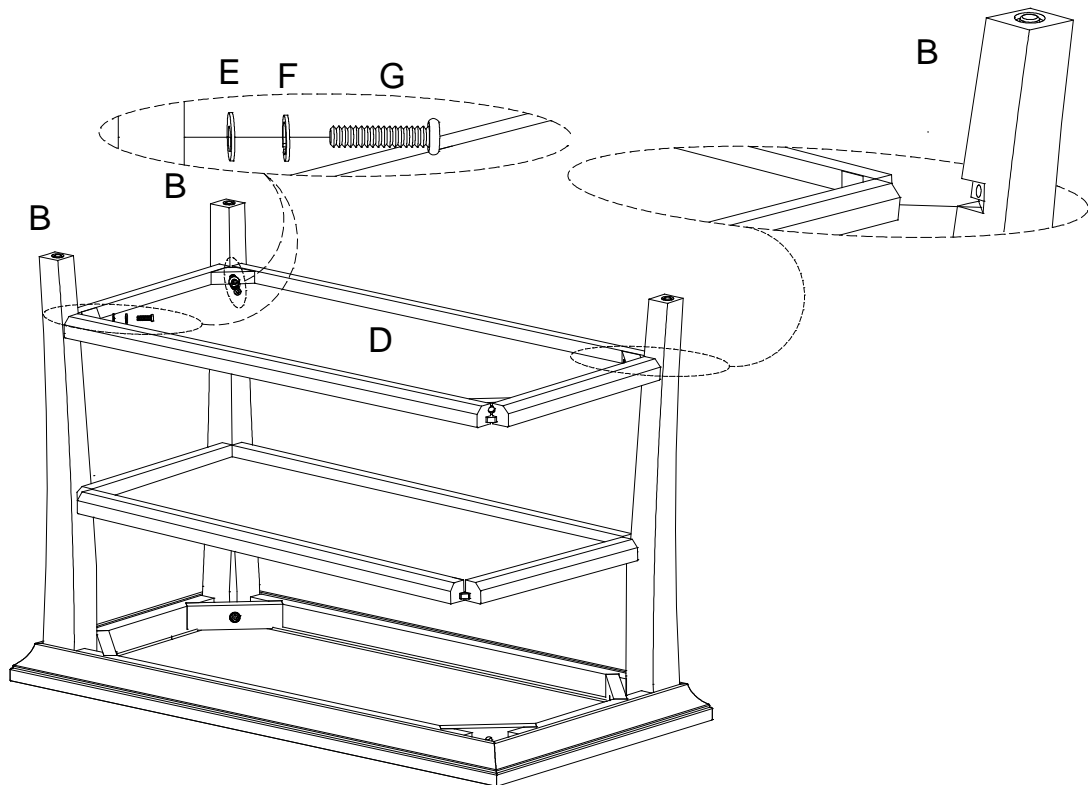


2. Attach the Middle Shelf (C) to 3 Legs (B) by inserting the overhang of panel at corner to cut-out on leg. Give hand to hold the parts for next assembly step.

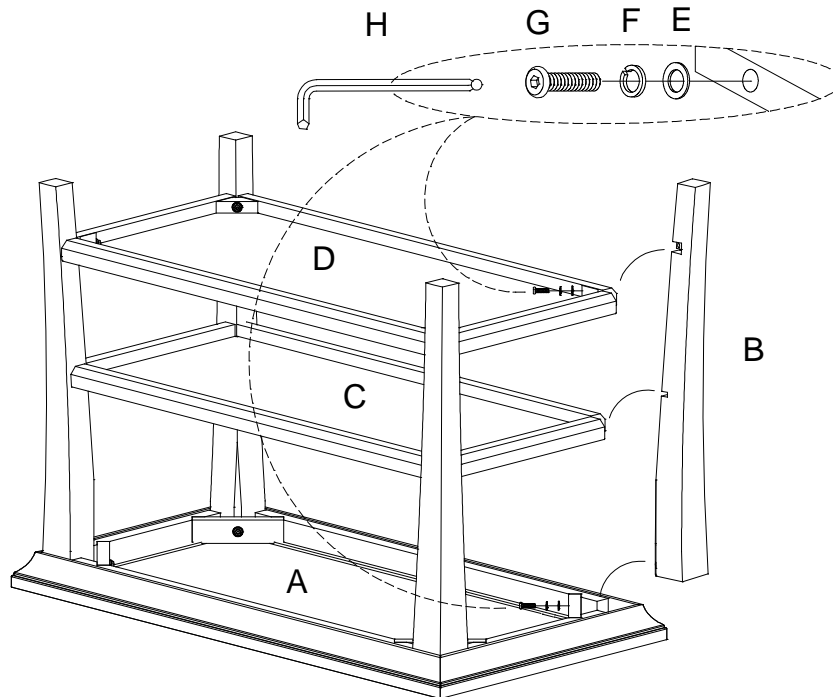


3. Attach the Bottom Shelf (D) to 3 Legs (B) by inserting the corner of shelf into cut-out on leg. A person should keep the shelf while another secures with Flat Washer (E), Lock Washer (F) and Allen Bolts (G) by hand, turn in half way only. Do not use Allen Key (H) to tighten.

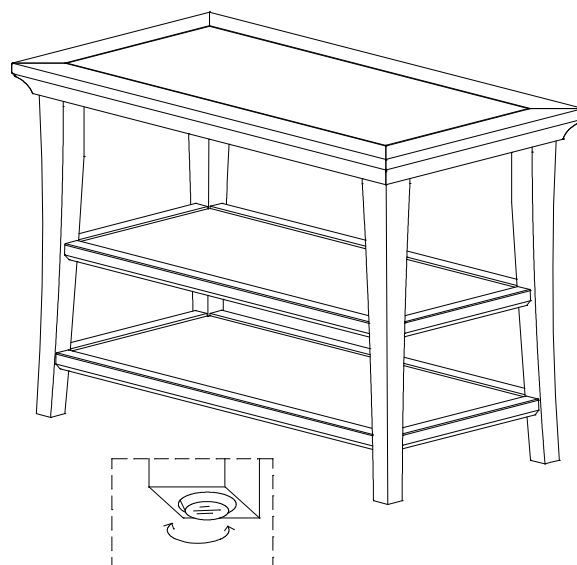
Note: The bottom shelf has pre-drilled hole at corner for the Allen Bolt goes through



4. Attach the remaining Leg (B) to Top (A) and Shelves (C&D). Secure with Flat Washer (E), Lock Washer (F) and Allen Bolts (G) by Allen Key (H). Now tighten all bolts.



5. Slowly turn the stand upright. If it doesn't sit level, adjust the levelers under legs. Assembly is completed.



Care Instructions:

- For daily cleaning, wipe with a soft damp cloth; Wipe dry immediately.
- To protect the finish, avoid the use of chemicals and harsh cleaning agents.

Thank you for your purchase
stores | catalog | www.potterybarn.com