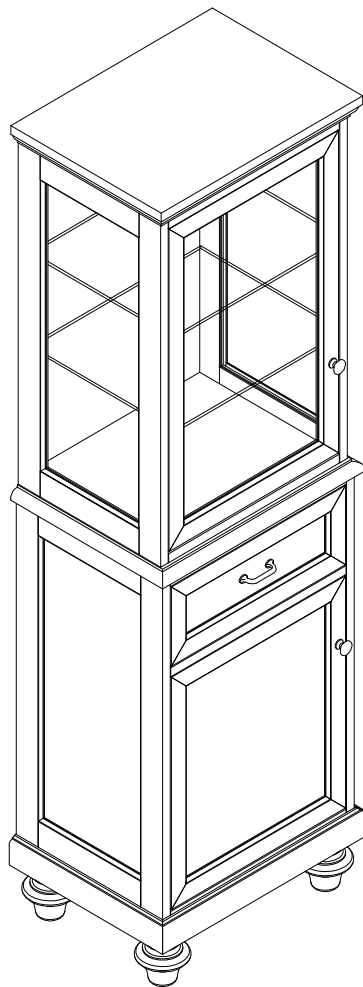


POTTERY BARN

STUART HUTCH & BASE

ASSEMBLY INSTRUCTIONS

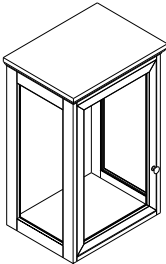
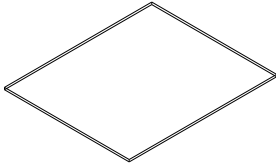
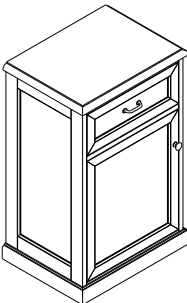
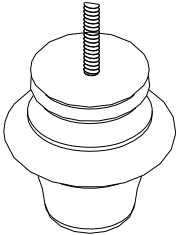


Important Safety Instructions:


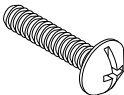




- Please read all instructions carefully before assembling.
- For your safety, assembly by two or more adults is strongly recommended.
- Keep instructions for future use.
- Use only vendor supplied hardware to assemble. Using unauthorized hardware could jeopardize the structural integrity of the item.
- The mounting hardware included with this item is meant for dry wall/stud mounting only. If your walls are made from something other than drywall or wood such as concrete, brick or plaster, please consult your local hardware store for assistance in selecting the appropriate hardware. This item includes a wood French cleat that is first mounted to a wall. The item is secured to the wall using either expanding toggles and screws for drywall or just the screws if a mounting hole happens to align with a wall stud.
- **Maximum total weight capacity for this product is 44 pounds (20 kg) in total, (11 pounds (5 kg) maximum per shelf). Do not exceed the load capacity.**

Pre-assembly:

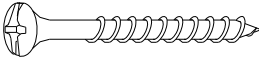


- Remove all parts and hardware from the box and lay out on a clear carpeted or scratch-free work surface, as this will avoid damaging parts during assembly. The shipping box provides an ideal work surface.
- Do not dispose of any packaging or contents of the shipping carton until assembly is completed to avoid accidentally discarding small parts or hardware.
- Use the parts and hardware lists below to identify and separate each of the pieces included.
- The illustrations provided allow for easier assembly when used in conjunction with the assembly instructions.
- The use of power tools to aid in assembly is not recommended. Power tools can damage hardware and split wood.

Parts Included (Box 1 of 2):		Parts Included (Box 2 of 2):	
(A) Hutch  1x	(B) Glass Shelf  2x	(C) Base  1x	(D) Foot  4x

Hardware Included: (Box 1 of 2)

(E) Metal Plate  2x	(F) Screw  4x	(G) Screw Dia. 8 x 45mm  1x	(H) Toggle Dia. 14 x 12mm  1x
(I) Shelf Pin  8x	(J) Rubber Pad  2x		

Hardware Included: (Box 2 of 2)

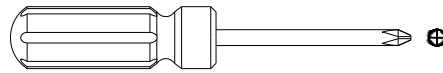
<p>(K) Screw Dia. 8 x 45mm</p>  <p>1x</p>	<p>(L) Toggle Dia. 14 x 12mm</p>  <p>1x</p>	<p>(M) Rubber Pad</p>  <p>1x</p>
--	--	--

Tools Required (not included):

Stud Finder

Level

Tape Measure



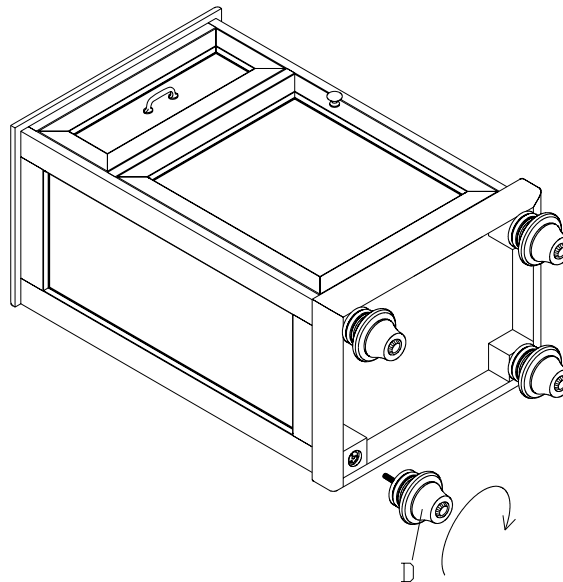
Phillips Head Screwdriver



Pencil

Assembly Instruction Steps:

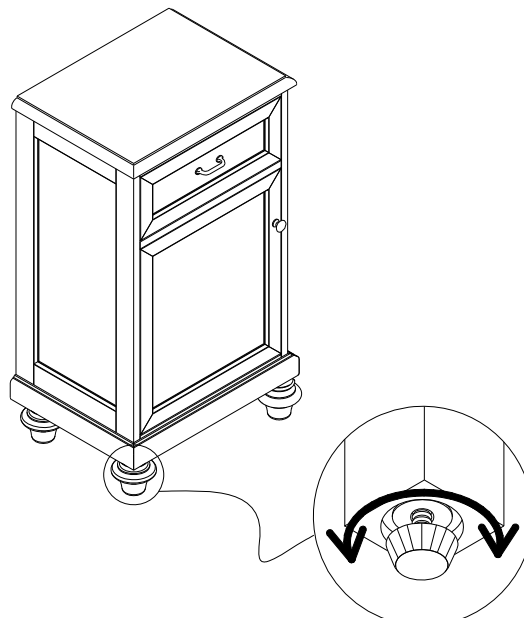
1. Carefully turn the Base (C) upside down on a smooth scratch free surface. Secure the Feet (D) to the Base (C) by turning clockwise.



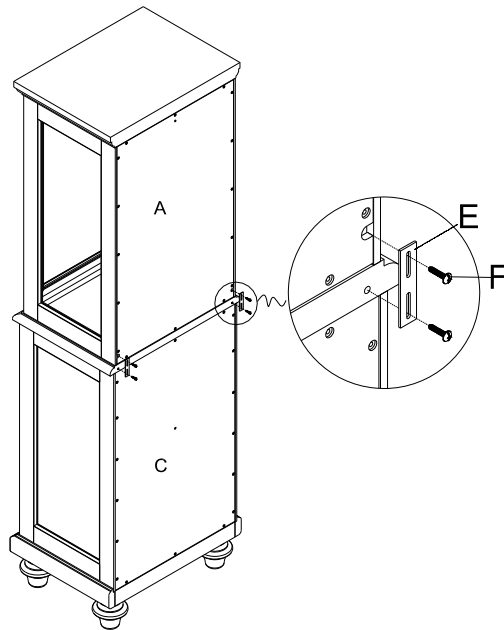
2. Leveler adjustment:

Turn the Base upright. **Note:** Before fixing the Hutch on the Base, the Base needs to be properly leveled.

Levelers are pre-installed on the bottom of feet and adjust as needed to make sure the Sundry is level. Turn counter-clockwise to increase height, clockwise to decrease height.

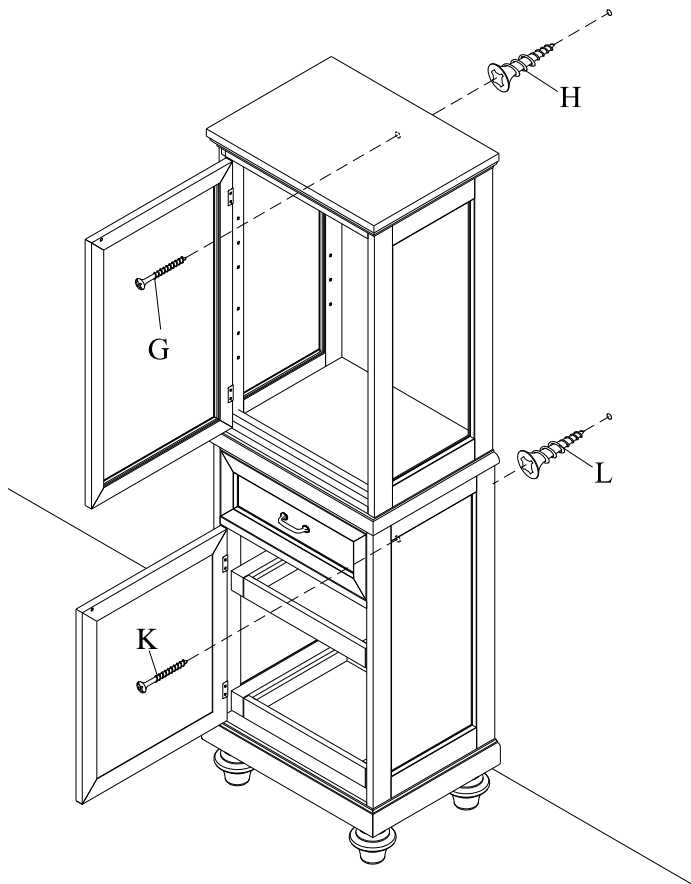


3. Secure the Hutch (A) to Base(C) using the Metal Plate (E) and Screw (F).



4. **Mounting the Cabinet to the Wall:**

- 1) Place a level on the cabinet and with the help of another person, position the cabinet against the wall at a desired location. Adjust the cabinet so that it is level and then use a pencil to mark the wall based on the hole positions. Set the cabinet aside so you have access to its rear surface.
- 2) The provided toggles (H&L) are needed for drywall applications, but cannot penetrate into wall studs (wood). Therefore, we recommend that you use a stud finder to determine if any of the insertion marks align with a wall stud. If so, only a screw will be used at that mark. If not, then both a toggle and a screw will be used.
- 3) Use a screwdriver to engage a toggle and position the toggle tip against the wall at one of the insertion marks. Gently push the toggle into the wall as you rotate the toggle clockwise. Continue rotating until the large flange of the toggle is flush with the wall. Repeat this step with the other toggles and non-stud marks.
- 4) With the help of another person, lift the cabinet up against the wall to align the holes to the pre-installed toggles. Use a screwdriver to secure a provided screw (G & K) into each hole and into either an awaiting installed toggle, or directly into the wall if the hole aligns with a wall stud. Rotate each screw clockwise until tight.

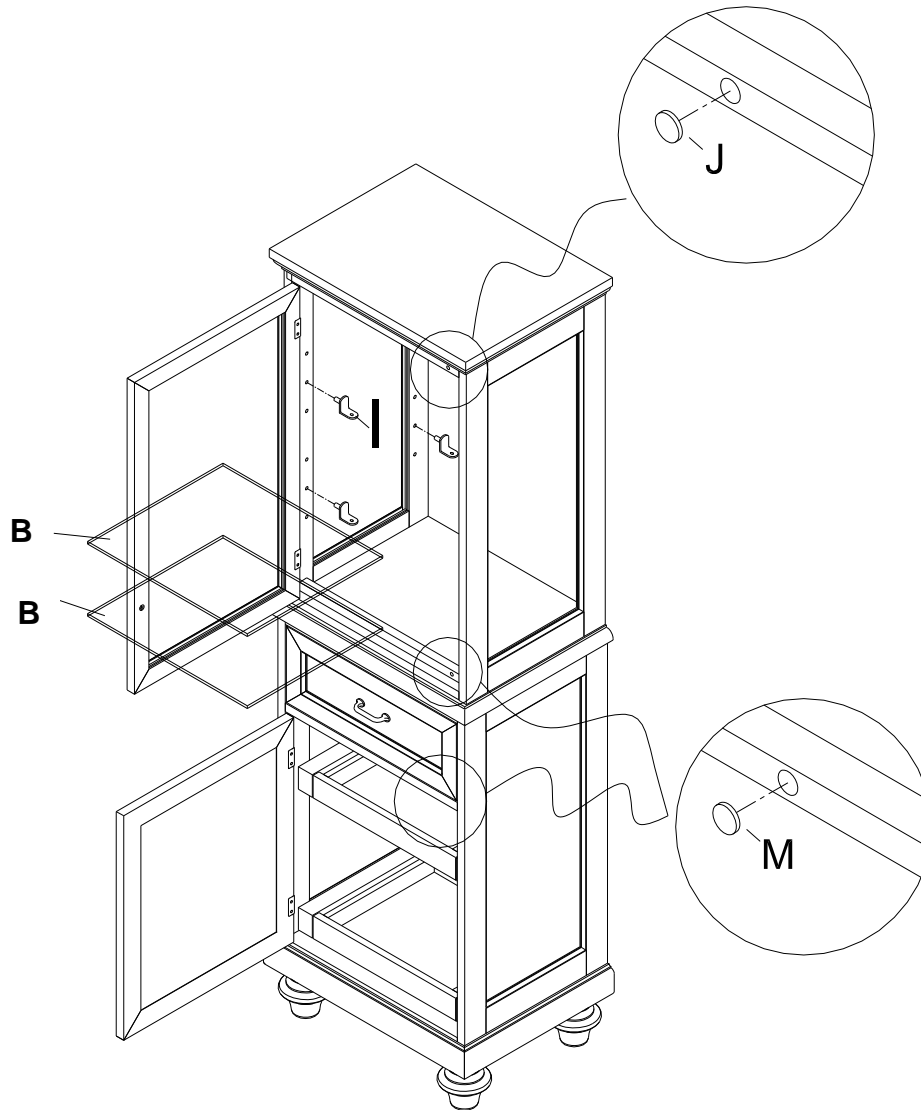


5. Installing the Glass Shelves:

To install the shelves: For each shelf, insert four shelf pins (I) by pressing the pin portion of each into one of the pre-drilled holes located along the side walls of the interior of the cabinet. Count the holes from the top or bottom to ensure that each set of four supports are at the same height. Gently place a glass shelf (B) onto each set of four installed shelf pins.

6. Installing the Rubber Bumpers:

Attach the adhesive backed rubber pad (J&M) to each magnet along the perimeter as shown below. This will help dampen the noise of the door closing against the cabinet frame.



Care Instructions:

- Dust often using a clean, soft, dry and lint-free cloth.
- Blot spills immediately and wipe with a clean, damp, cloth.
- We do not recommend the use of chemical cleansers, abrasives or furniture polish on our lacquered finish.
- Hardware may loosen over time. Periodically check to make sure all connections are tight.
Re-tighten if necessary.