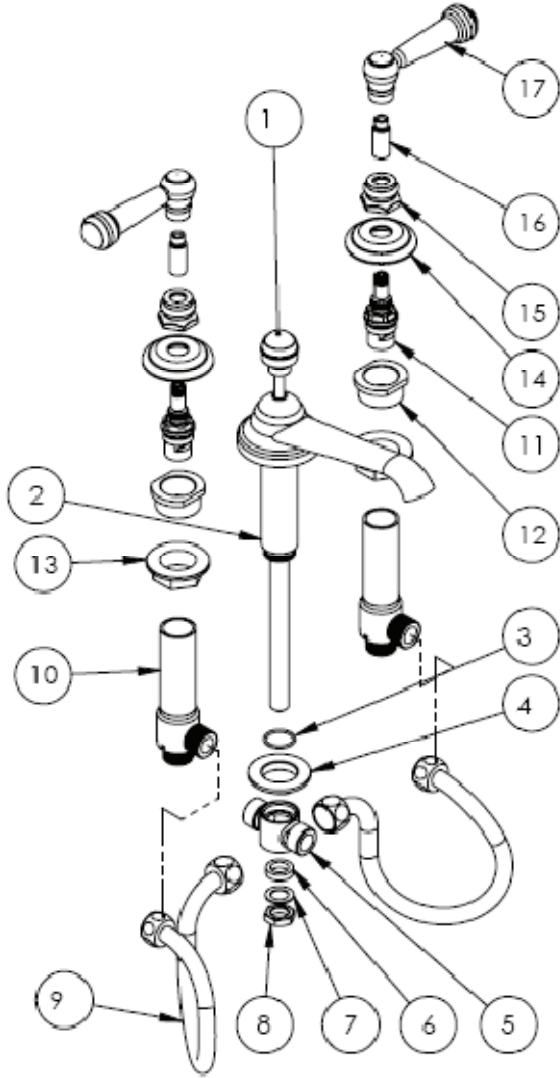


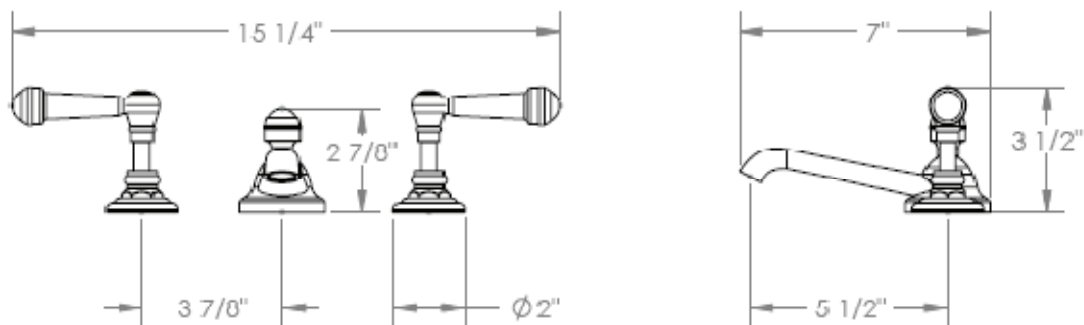
**FEATURES**

- ¼ turn washerless ceramic disc valve cartridges
- Flexible hose connection for 8” to 16” spread installations
- Flow rate 2.2 gpm (8.3 lpm) maximum flow rate
- Solid brass construction
- Warranty:
  - Limited lifetime warranty (residential use)
  - One year (commercial use)
- Standard finishes:
  - polished chrome
  - satin nickel
  - polished nickel
  - antique bronze
- Listed by IAPMO, CSA, NSF, and other municipalities
- Shipping weight (lbs.) 10
- Shipping dimensions (in.): 29x12x4



Parts Checklist		
Carefully remove all parts from the box. The following parts should be included.		
	Description	Qty
1	Lift knob and rod	1
2	Spout	1
3	Gasket	1
4	Locknut	1
5	Supply "T"	1
6	Supply "T" gasket	1
7	Supply "T" washer	1
8	Supply "T" nut	1
9	Flexible hose	2
10H/ 10C	Hot / cold valve	2
11H/ 11C	Hot/ cold cartridge	2
12	Top Valve locknut	2
13	Bottom vlv locknut	2
14	Escutcheon	2
15	Esc. Nut	2
16	Esc. Stem	2
17	Handle	2

1. **Carefully remove all parts from the box.**
2. **Begin by first installing the Spout.**
  - a. Remove the "T" Assembly (3, 5-8) from the Spout (2).
  - b. Drop the Spout through the hole in your countertop or sink.
  - c. Tighten the Lock Nut (4) against the underside of mounting surface.
  - d. Re-assemble "T" Assembly onto bottom of Spout.
3. **Identify your Hot and Cold Valves.**
  - a. Remove all trim from Valve Assembly (including Top Lock Nut [12] where applicable), leaving Bottom Lock Nut (13).
  - b. Begin to tighten the Valve to your countertop or sink with a Top Lock Nut (12) (Refer to Diagram) but do not tighten completely.
  - c. Install Escutcheon and Handle (14-17) on valve body (10). Be sure that bottom of handle properly clears top of the Escutcheon.
  - d. Once you have adjusted the Valve height, remove Handle and proceed to tighten Valve from the bottom until it is snug.
  - e. Install Handle on the Valve.
4. **Connect the two Flex Hoses (9) to "T" Assembly (5) and to the HOT (10H) and COLD (10C) valves respectively.**  
*These hoses can be bent or twisted, but be careful not to kink the hoses or you will have limited water supply and excessive noise from the faucet.*
5. **Begin by bleeding the water lines before connecting to the valves. Connect water supplies to bottom of each valve.**
6. **Remove flow restrictors found in both inlets of "T" Assembly (5) and flush faucet by running both Hot and Cold water in full open position. Replace the flow restrictors.**
7. **Check for leaks. If leaks or problems occur, re-tighten all nuts before consulting a plumber.**



#### **IMPORTANT INSTALLATION INFORMATION**

- USE TEFLON TAPE OR PIPE SEALANT FOR THREADED CONNECTIONS
- DO NOT USE PLUMBER'S PUTTY ON ANY OF THE BRASS COMPONENTS  
This will cause the finish to tarnish and void the warranty. A non-corrosive Alkoxy Silicone is recommended.
- DURING SWEATING OF LINES DO NOT OVERHEAT CASTING  
Overheating may cause damage to internal mechanism
- COPPER ADAPTORS MAY BE REQUIRED TO COMPLETE YOUR INSTALLATION

**For technical support, please call 718-257-2800**

Rev. 10/10