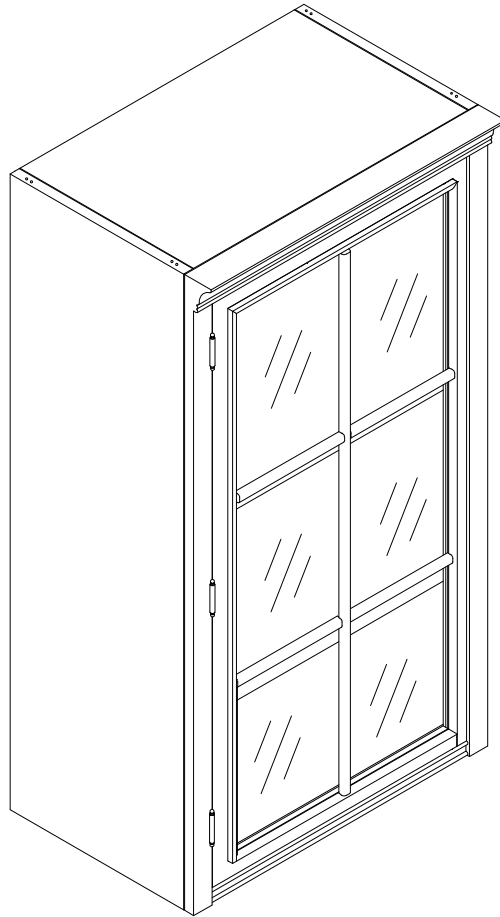


POTTERY BARN



LOGAN HUTCH WITH DOORS 24"

Important Safety Instructions:

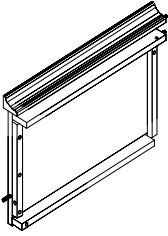
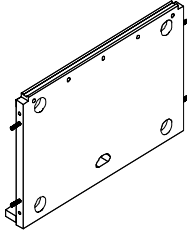
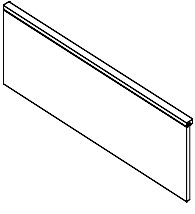
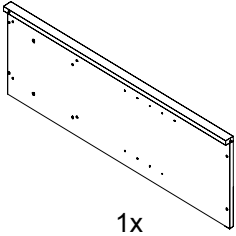
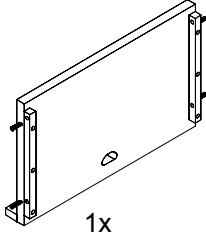
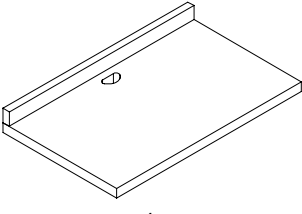
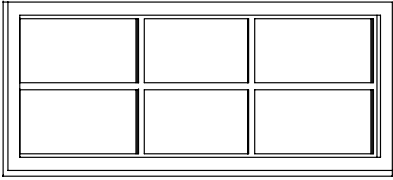
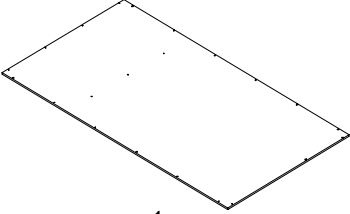
- Please read all instructions carefully before assembling.
- For your safety, assembly by two or more adults is strongly recommended.
- Keep instructions for future use.
- Use only vendor supplied hardware to assemble. Using unauthorized hardware could jeopardize the structural integrity of the item.

Pre-assembly:

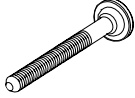
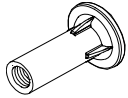
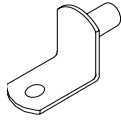
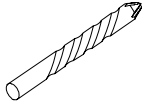
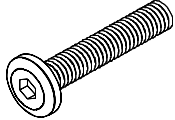
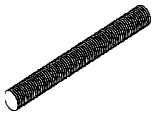


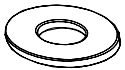
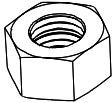
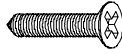
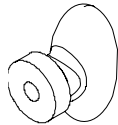
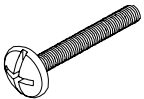
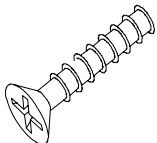
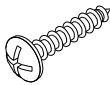

- Remove all parts and hardware from the box and lay out on a clear carpeted or scratch-free work surface, as this will avoid damaging parts during assembly. The shipping box provides an ideal work surface.
- Do not dispose of any packaging or contents of the shipping carton until assembly is completed to avoid accidentally discarding small parts or hardware.
- Use the parts and hardware lists below to identify and separate each of the pieces included.
- The illustrations provided allow for easier assembly when used in conjunction with the assembly instructions.
- The use of power tools to aid in assembly is not recommended. Power tools can damage hardware and split wood.

This unit can be assembled with other Logan components to setup as the Media Suite, Corner Suite or Office Suite.

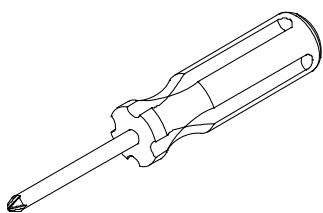
Parts Included:

<p>(A) Top Panel</p>  <p>1x</p>	<p>(B) Bottom Panel</p>  <p>1x</p>	<p>(C) Left Side Panel</p>  <p>1x</p>
<p>(D) Right Side Panel</p>  <p>1x</p>	<p>(E) Fixed Shelf</p>  <p>1x</p>	<p>(F) Adjustable Shelf</p>  <p>1x</p>
<p>(G) Glass Door Panel</p>  <p>1x</p>		<p>(H) Back Panel</p>  <p>1x</p>

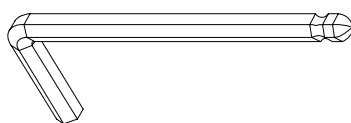
Hardware Included:

<p>(a) Connecting Screw</p>  <p>M4 x 25mm 4x</p>	<p>(b) Sleeve Nut</p>  <p>M4 x 19mm 2x</p>	<p>(c) Shelf Pins</p>  <p>4x</p>	<p>(d) Drill Bit</p>  <p>Dia. 5mm 1x</p>
<p>(e) Short Bolts</p>  <p>Dia. 1/4" x 1-1/8"L 8x</p>	<p>(f) Threaded Rod</p>  <p>Dia. 5/16" x 3-1/4"L 4x</p>	<p>(g) Half Moon Pressure Plate</p>  <p>4x</p>	<p>(h) Spring Washer</p>  <p>5/16" 4x</p>
<p>(i) Flat Washer</p>  <p>5/16" 4x</p>	<p>(j) Nut</p>  <p>5/16" 4x</p>	<p>(k) Wood Screw</p>  <p>Dia. 8 x 16mm 23x</p>	<p>(l) Knob</p>  <p>1x</p>
<p>(m) Long Bolt</p>  <p>Dia. 5/32" x 7/8"L 1x</p>	<p>(n) M4 Screw</p>  <p>M4 x 16mm 6x</p>	<p>(o) Wood Screw</p>  <p>Dia. 3 x 16mm 4x</p>	<p>● Anti-Tip Kit</p> 

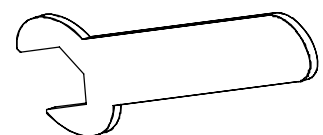
Tools Required:



Phillips head screwdrivers
(not included)



Allen Key 4mm - 1x

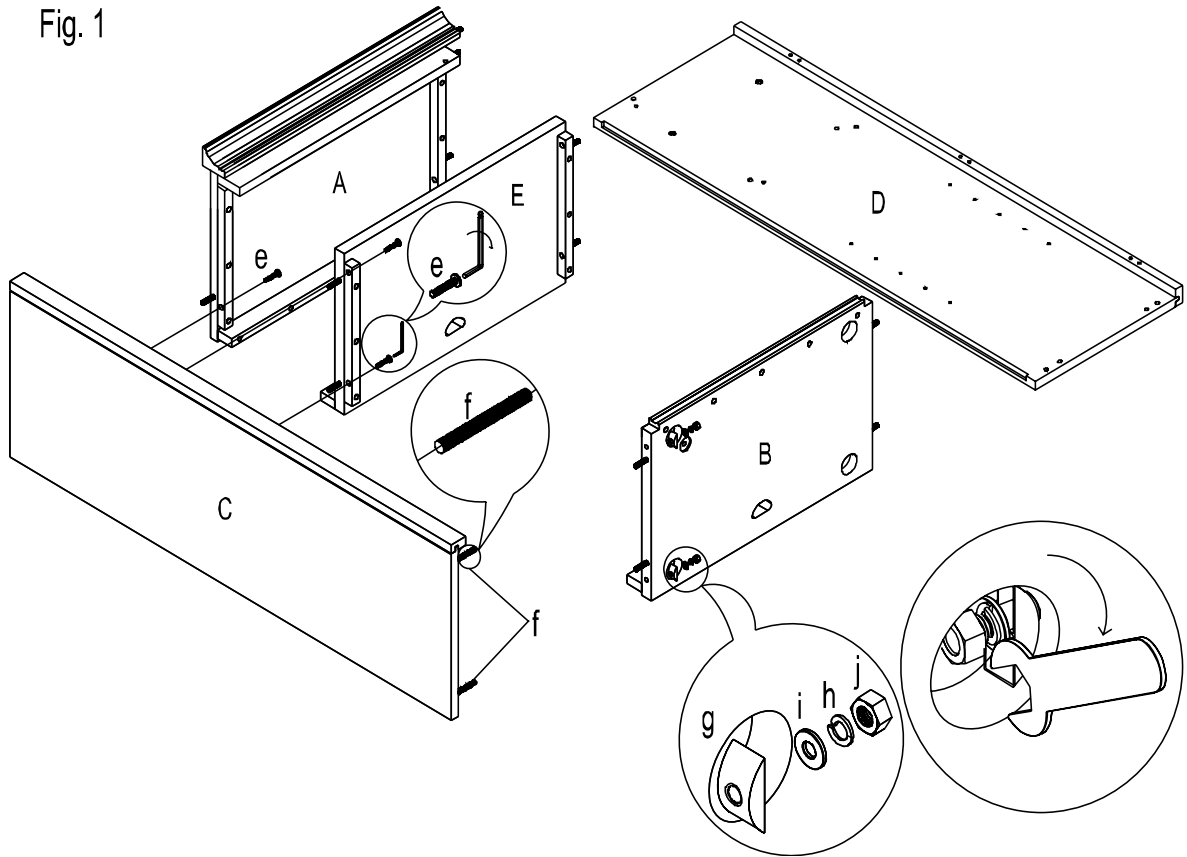


Wrench 5/16" - 1x

Assembly Instruction Steps:

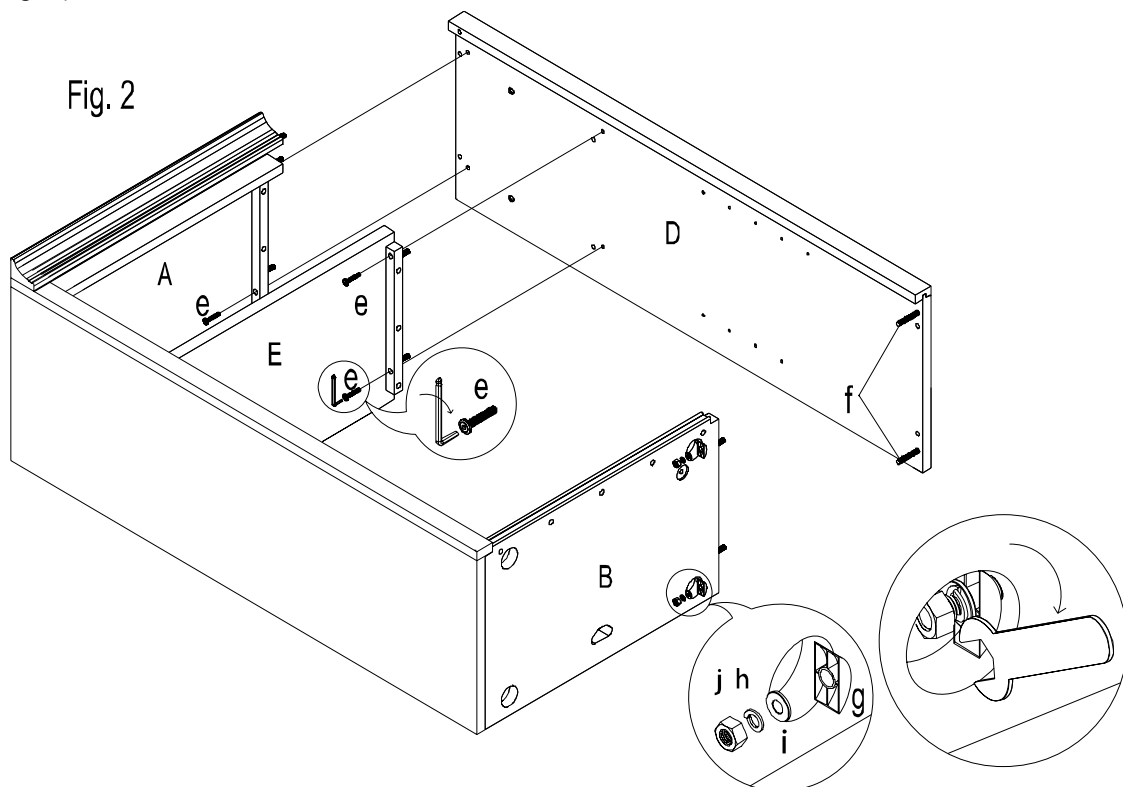
1. Using caution remove all components from their boxes making sure to set aside all hardware and parts.
2. Screw the threaded rod (f) to the insert nut found at the bottom of the left side panel (C). Align the pre-drilled holes on the edge of bottom panel (B) with the hanger bolts. Assemble using the half moon pressure plate (g), flat washers (i), spring washers (h) and nuts (j) and secure using the wrench. Attach the top panel (A) and the fixed shelf (E) to the top of the left side panel (C) using the bolts (e). Secure through the pre-drilled holes on the cleat and tighten with the Allen key. (Fig. 1)

Fig. 1

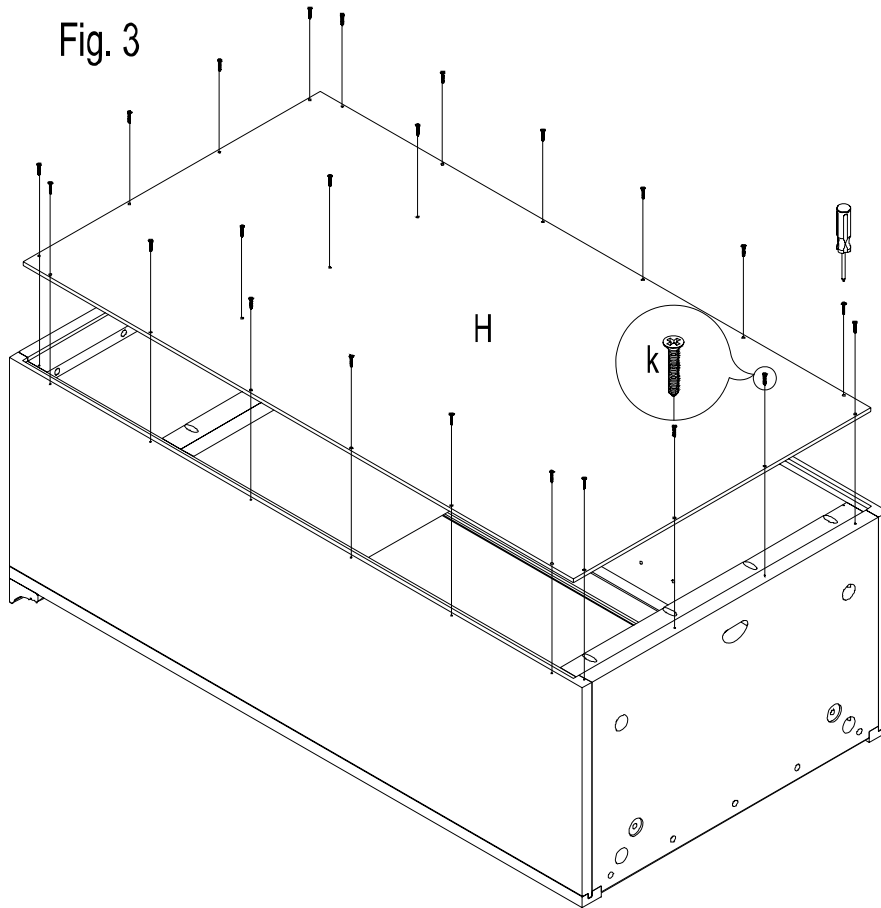


3. Repeat step 2 to attach the top panel (A), the fixed shelf (E) and the bottom panel (B) to the right side panel (D). (Fig. 2)

Fig. 2

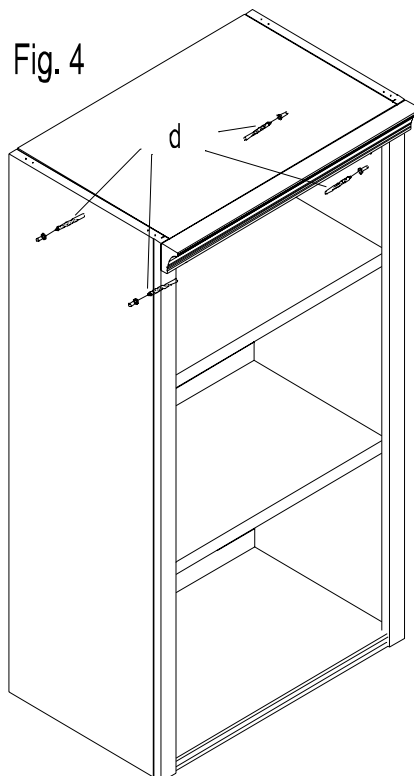


4. Secure the back panel (H) to the assembled case using the wood screws (k). Make sure the unit is square before attaching the back panel.

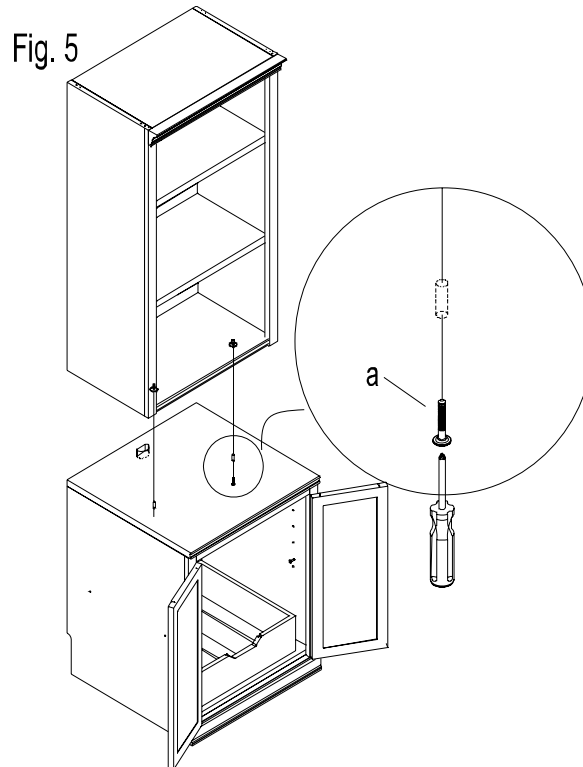


5. To connect hutch with other pieces in the Logan Collection, bore holes should be made. Using the pilot holes as a guide, bore holes on the side/s using a drill with the 5mm drill bit (d). Proceed with caution when drilling holes (Fig. 4)

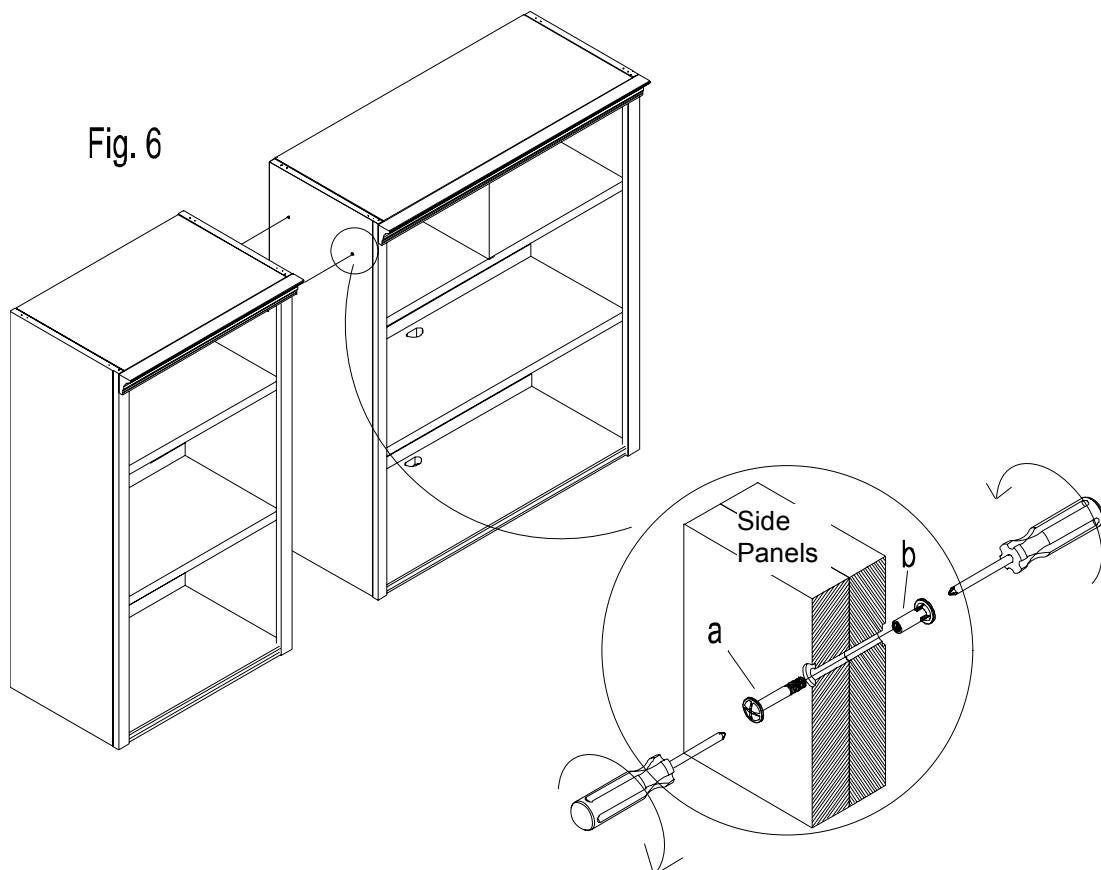
Note: Only bore holes on the side panel/s if this is to be connected with the Logan Bridge, Corner Hutch, and other hutches. See Logan Bridge instructions for assembly to the Logan Bridge.



6. To connect with the Logan Base, bore holes on the top of the base using a drill and the 5mm drill bit (see base instructions). Using two people place the 24" bases and (if applicable) the TV stand, Desk, Corner Cabinet into the desired location.
7. Gently set the hutch or the assembled hutches/bridge on top of the 24" base/s. Align the holes under the hutch with the pre-drilled holes on the top of the base. Secure using the connecting screws (a) and tighten with a Phillips head screwdriver (not included). (Fig. 5)

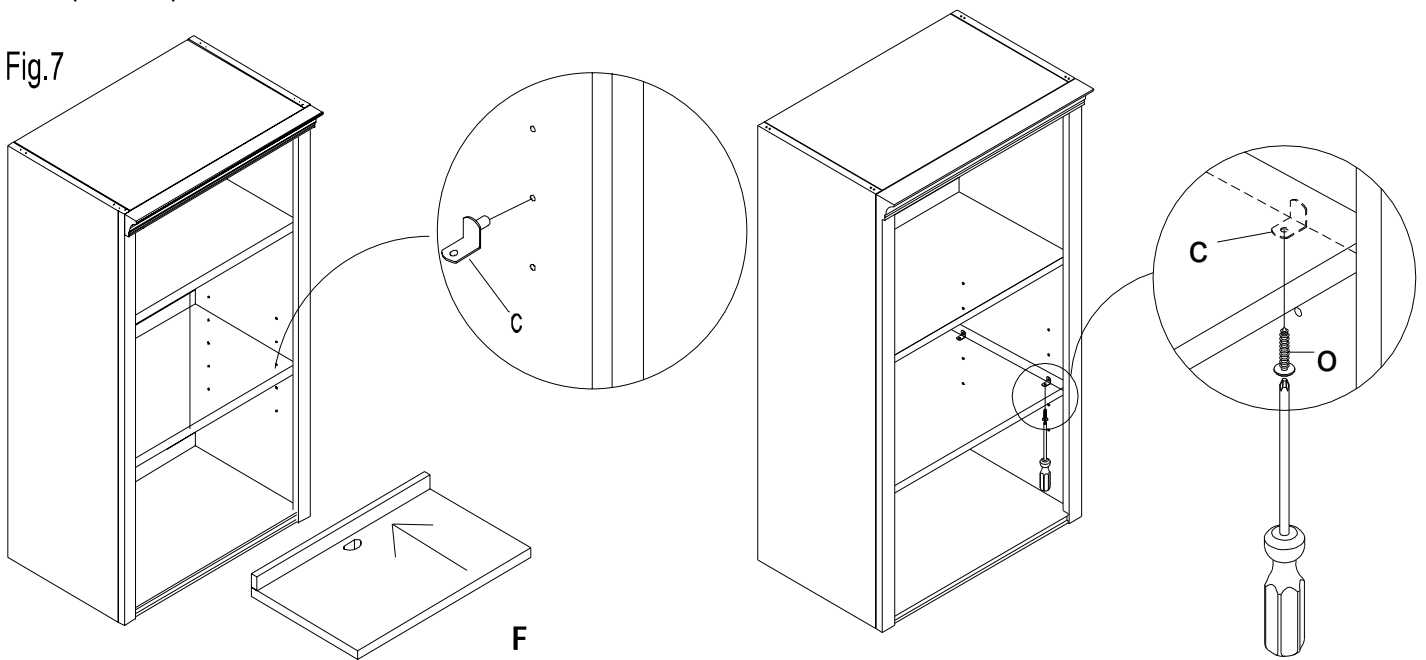


8. To connect hutches together, align the bored holes on the side panels of the hutches. Insert the sleeve (b) into the hole and secure with the connecting screw (a) on the other end by tightening and threading the sleeve using Phillips head screwdrivers. Repeat with the other sleeve and screw. (Fig. 6)



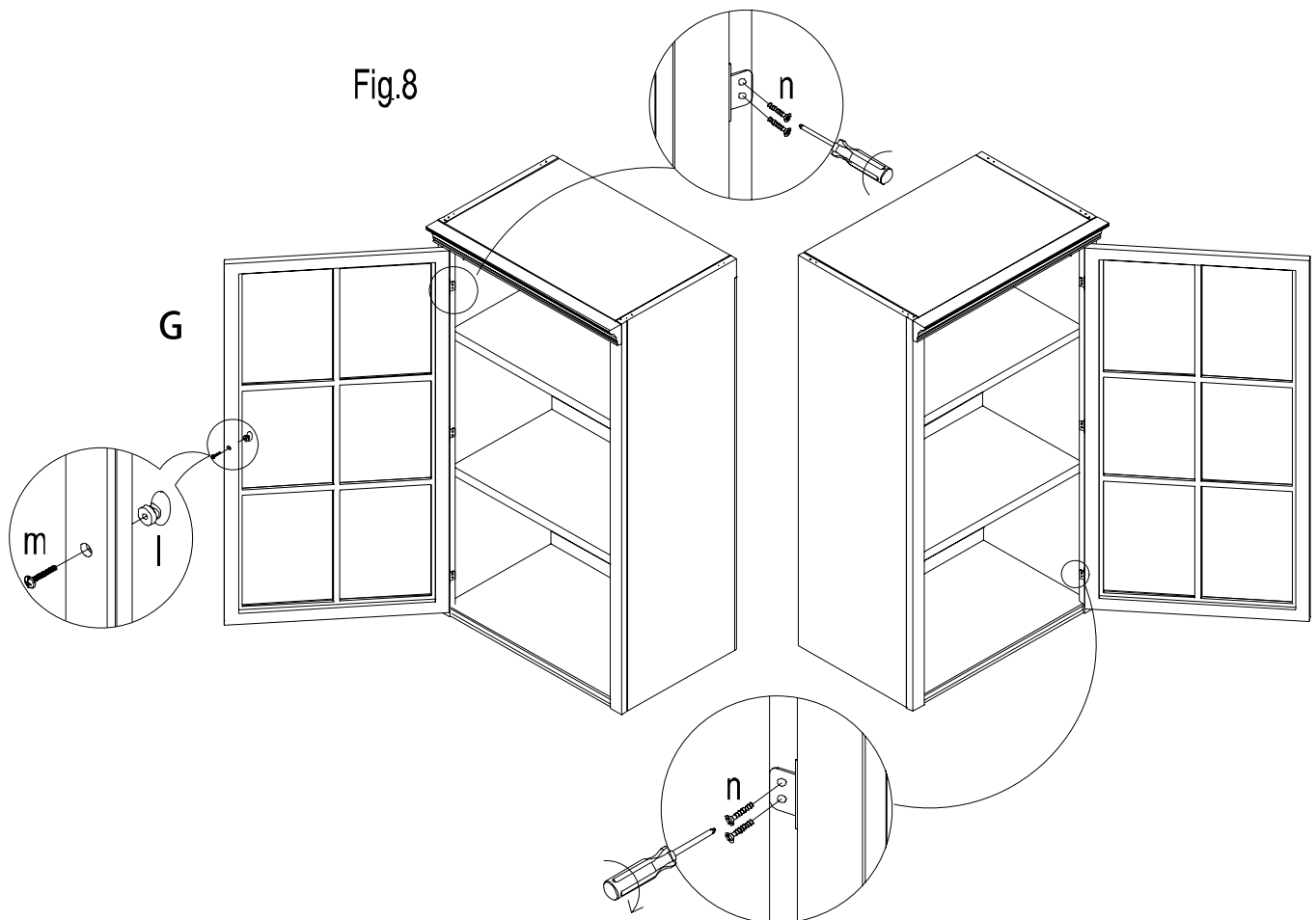
9. Determine the desired height for the shelf (F). Insert the shelf pins (c) into the pre-drilled holes. Gently rest the shelf onto the pins (Fig. 7) and use wood screws (O) to secure the shelf. If willing to change the position of a shelf, first remove the screws from the shelf pins (C) at bottom of shelf and repeat Step 9.

Fig.7



10. Install the door (G) by securing the M4 screw (n) to the pre-drilled holes on the left or right side of the hutch. Note that the door can be assembled the right or left side of the unit. Assemble the knob (I) to the door using the short bolt (m). (Fig. 8)

Fig.8



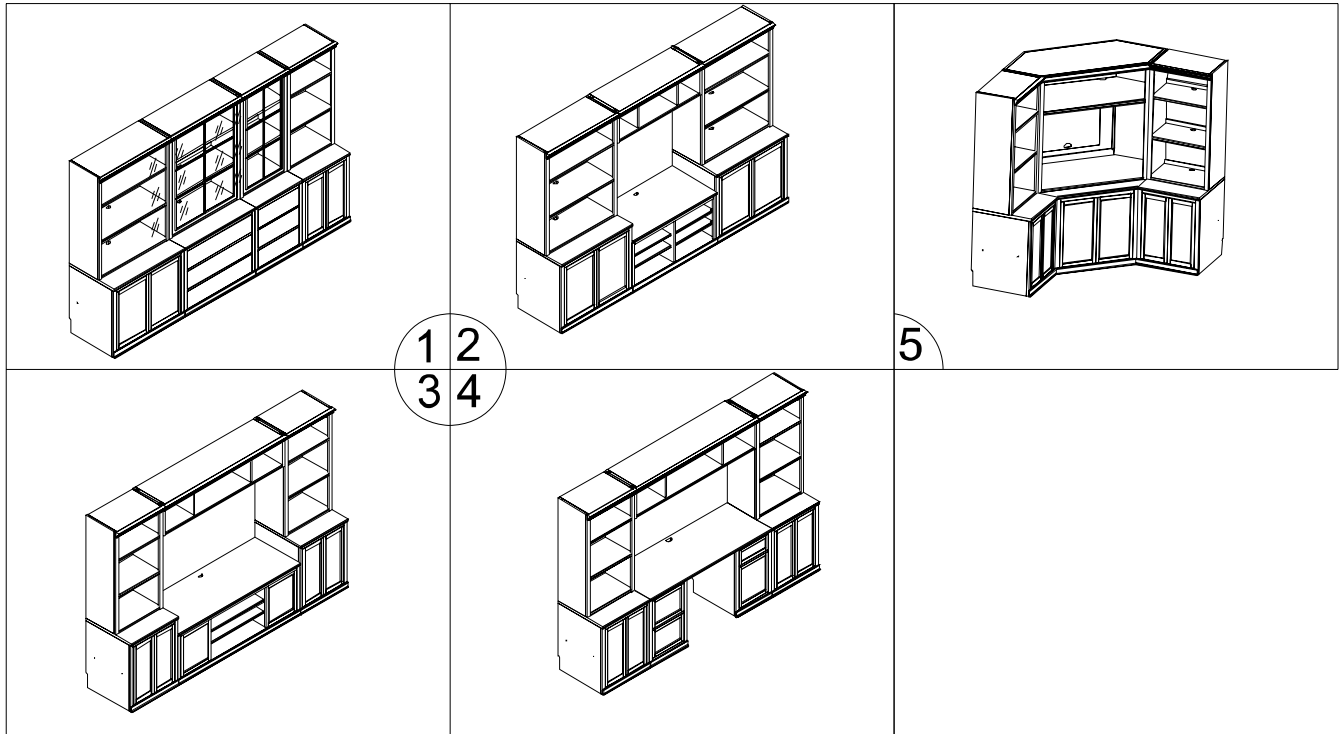
11. Once the assembled unit is moved into its final location, install included anti-tip kit (see separate instructions).

12. If the furniture still wobbles, adjust the levelers on the bases (see base instructions).

13. Assembly is complete.

NOTE: USE THE ANTI-TIP KIT PROVIDED TO SAFELY SECURE YOUR PRODUCT(S). FOLLOW THE INSTRUCTIONS PROVIDED TO PREVENT SERIOUS INJURY FROM TIPPING FURNITURE.

Possible configurations



Care Instructions:

- Dust often using a clean, soft, dry and lint-free cloth.
- Blot spills immediately and wipe with a clean, damp, cloth.
- We do not recommend the use of chemical cleansers, abrasives or furniture polish on our lacquered finish.
- Hardware may loosen over time. Periodically check to make sure all connections are tight.
Re-tighten if necessary.

Thank you for your purchase
Stores | catalog

Imported by / Importé par / Importado por

WILLAMS-SONOMA INC.

3250 Van Ness, SF CA 94109, US

CANADIAN DISTRIBUTION ADDRESS/ ADRESSE DE DISTRIBUTION CANADIENNE / DIRECCIÓN DE DISTRIBUCIÓN EN CANADÁ:
3401 Dufferin St. Space 215, Toronto, Ontario, M6A 2T9, CA

FURNITURE TIPPING RESTRAINT

WARNING: This product is only a deterrent. It is not a substitute for proper adult supervision. Manufacturer assumes no liability for improper installation or excessive loads placed on screws, brackets or straps.

Young children may be injured by tipping furniture and the use of a tipping restraint is highly recommended.

When properly installed, this restraint will provide protection against tipping of furniture. This tipping restraint **MUST** be secured to a wall-stud or wall structure of similar strength.

Hardware included:

(2) Brackets

(1) Nylon Strap

(2) Long Stud Mounting Screws

(2) Short Furniture-Side Mounting Screws

Note: For safe mounting it is essential to use the proper hardware for your wall type. The included hardware is for drywall or stud mounting only. For other wall types (e.g., plaster, concrete and brick) please consult your local hardware store for fastener advice.

To install:

1) LOCATING THE STUDS: Use a stud finder to locate the vertical wooden studs within your wall located behind the final position of the furniture item. Mark the stud locations with a light pencil-mark.

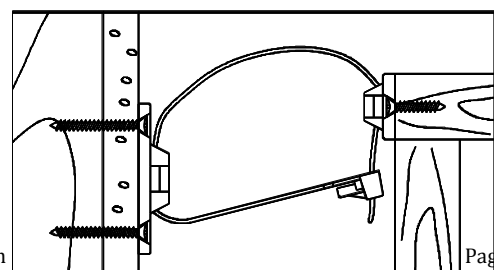
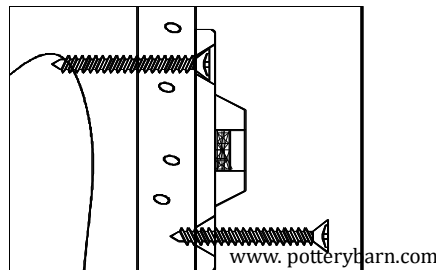
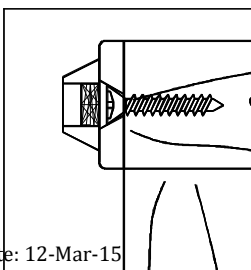
2) MOUNTING THE FURNITURE-SIDE BRACKET: Move the furniture item close to the wall to its final position. Use pieces of tape or a pencil to transcribe the stud locations of the wall onto the furniture item. Move the furniture item again so you can access its back and use the marks to locate a suitable mounting point for the furniture-side bracket. Make sure that the bracket is secured to a firm portion of the furniture frame and as high as possible. Remember: The furniture-side bracket must be positioned near a wall stud. Using a pencil, and the bracket as a guide, mark "screw marks" on the furniture item through the bracket holes.

Use a 3/32" drill bit to drill pilot holes into the furniture item at the "screw marks". Use the TWO Short screws to secure the furniture-side bracket. This bracket can be positioned either vertically or horizontal as necessary (See Figure 1).

3) MOUNTING THE WALL-SIDE BRACKET: Position the wall-side bracket along the selected stud mark so that it will be adjacent the furniture-side bracket when the furniture item is moved to its final position. The wall-side bracket should be about ONE inch lower than the furniture-side bracket (See Figure 3). Use the TWO Long screws to secure the wall-side bracket to the wall. Remember to position the wall-side bracket vertically so that both screws will engage the selected wall stud (See Figure 2).

4) ATTACHING THE STRAP: When both brackets are securely attached, move the furniture to its final desired position and thread the strap through the openings of each bracket and also through the ratcheting "buckle". Tighten the strap until several "clicks" are heard. The furniture item is now securely tethered to the wall.

Note: If you must move the furniture item, you can release the strap by depressing the lever arm located at its buckle and simultaneously withdrawing the strap from the buckle. Make sure to reconnect the strap once the furniture item is returned to its previous position.



Date: 12-Mar-15
Rev:

Page 9 of 9

Figure 1

Figure 2

Figure 3