

# POTTERY BARN



## BENCHWRIGHT ENTERTAINING BUFFET & HUTCH

### Important Safety Instructions:

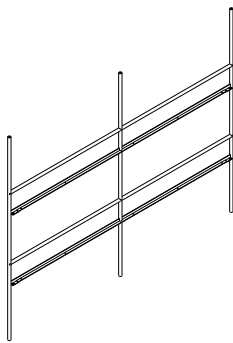
- Please read all instructions carefully before assembling.
- For your safety and convenience, assembly by two adults is strongly recommended.
- Keep instructions for future use.
- Use only hardware supplied by vendor to assemble. Using unauthorized hardware could jeopardize the structural integrity of the item.

### Pre-assembly:

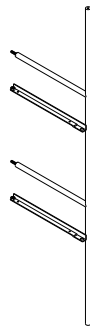
- Remove all parts and hardware from the box and lay them out on a clear carpeted or scratch-free work surface, to avoid damaging parts during assembly. The shipping box provides an ideal work surface.
- Save all packing materials until assembly is complete to avoid the accidental discarding of smaller parts or hardware.
- Use the parts and hardware list below to identify and separate each of the pieces included.
- The illustrations provided allow for easier assembly when used in conjunction with the assembly instructions.
- The use of power tools is not recommended. Power tools can damage hardware and split wood.

### Parts included:

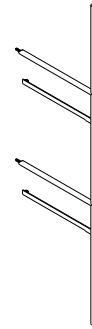
(A)	Back frame	1 pc
(B)	Right frame	1 pc
(C)	Left frame	1 pc
(D)	Shelves	2pcs
(E)	Top	1 pc
(F)	Base	1 pc
(G)	Buffet	1pc



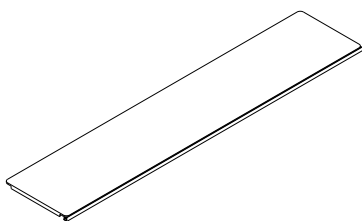
(A)



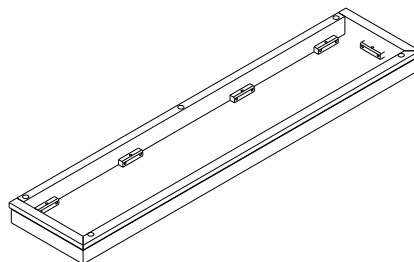
(B)



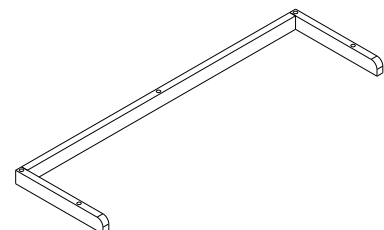
(C)



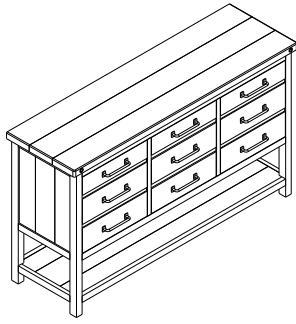
(D)



(E)


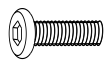
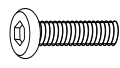
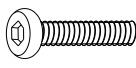

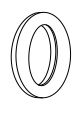
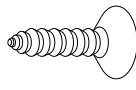
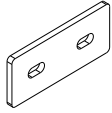



(F)



(G)

**Hardware Included:**

<p>(H) Nuts</p>  <p>Ø6 mm</p>	<p>(I) Short Bolt</p>  <p>Ø6mm x 12 mm</p>	<p>(J) Medium Bolt</p>  <p>Ø6 mm x 38 mm</p>	<p>(K) Long Bolt</p>  <p>Ø6 mm x 55 mm</p>
4 pcs	8 pcs	5 pcs	5 pcs
<p>(L) Spring Washers</p>  <p>Ø6mm / Ø 8mm</p>	<p>(M) Flat Washers</p>  <p>Ø6mm / Ø 16 mm</p>	<p>(N) Screw</p>  <p>Ø3.5x15mm</p>	<p>(O) Connector plate</p>  <p>Ø6mm</p>
10 pcs	10 pcs	20 pcs	3 pcs
<p>(P) Screw</p>  <p>Ø4mm x 19 mm</p>			
6 pcs			

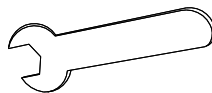
**Tool Required:**

(Q) (included)



Allen key # 5

(R) (included)



Spanner Key

(S) ( Not included)

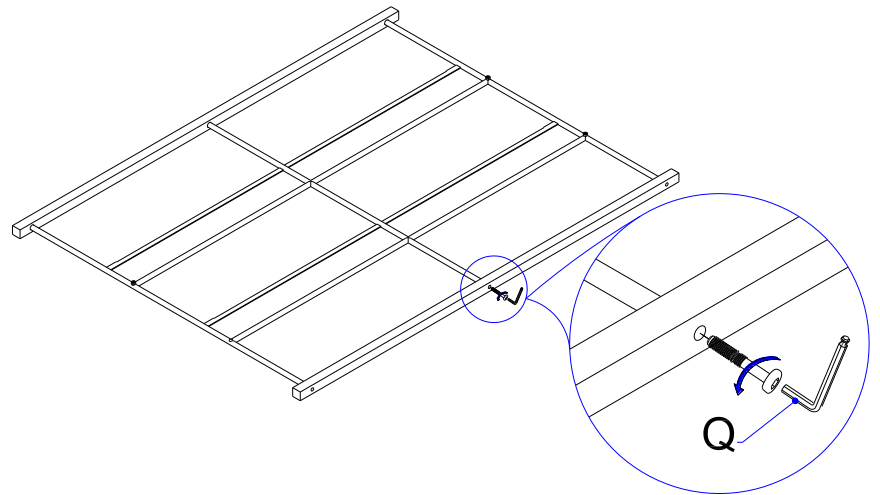


Phillips Screwdriver

**Assembly Instruction Steps:**

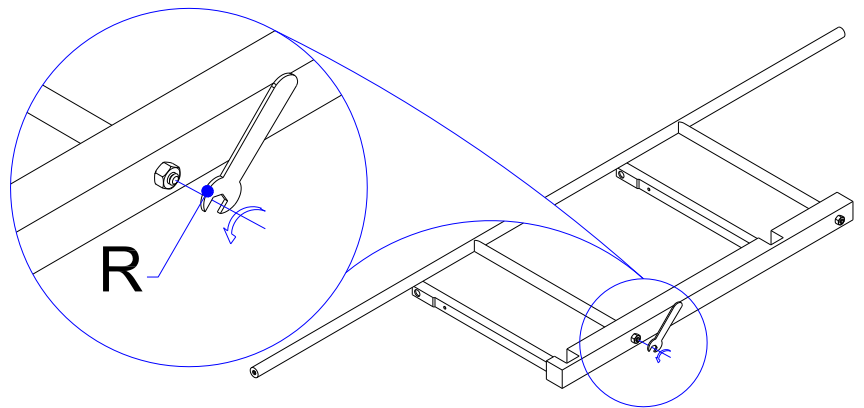
1. Carefully unwrap all components and lay them down on a scratch-free surface.
2. Take out the bolt and remove wood part on Back frame (A) using Allen key (Q). (See Fig.1)

**Fig. 1**



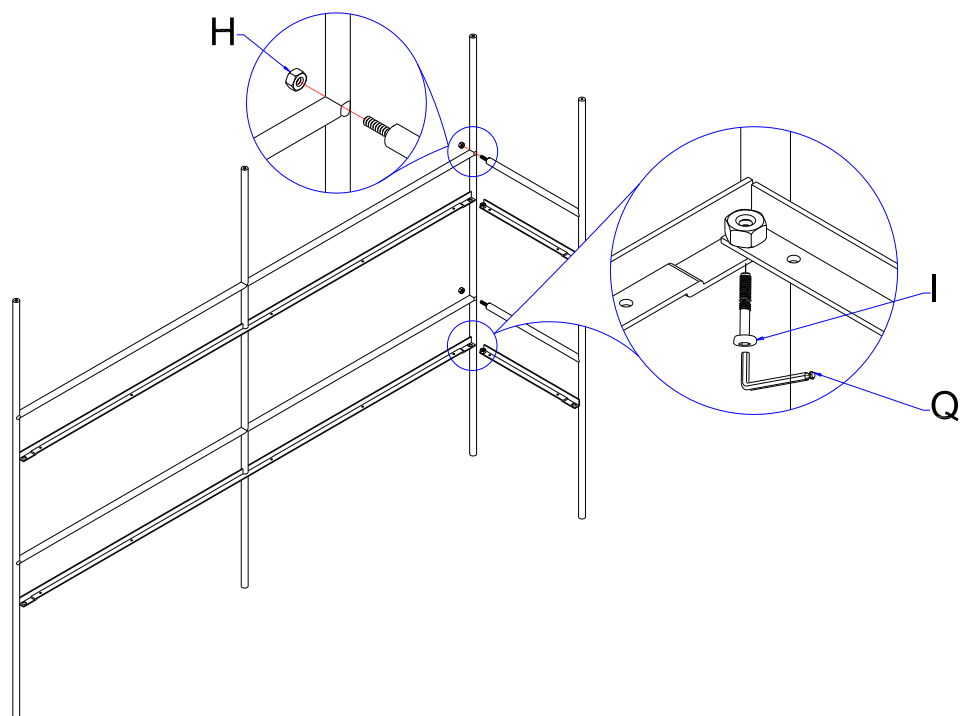
3. Take out the nuts and remove wood part on Right frame (**B**) and Left frame (**C**) using Spanner Key (**R**). (See Fig.2)

**Fig. 2**



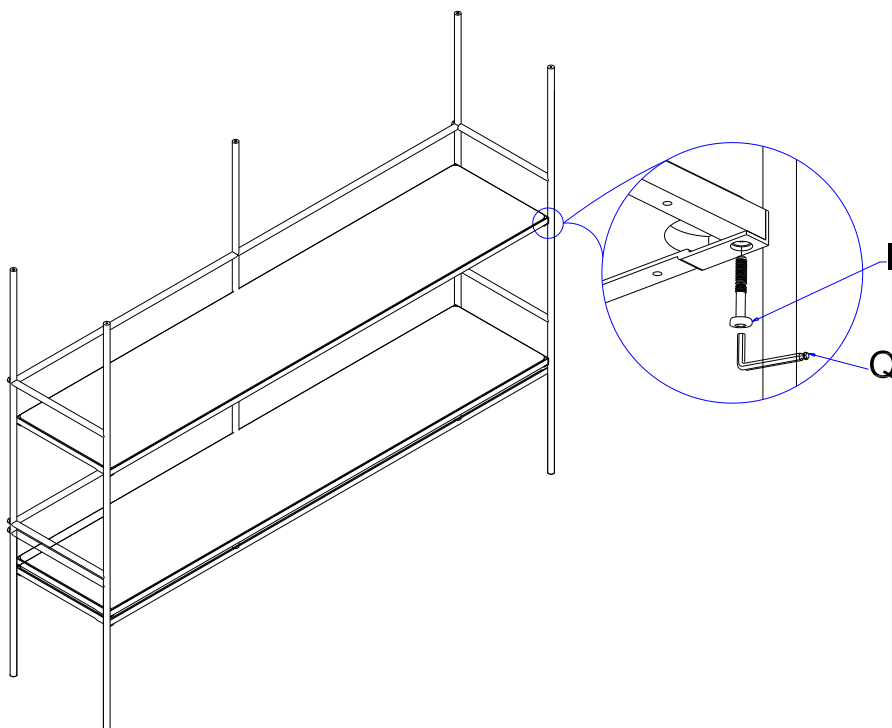
4. Attach Right frame (**B**) to Back frame (**A**) using 02 Nuts (**H**). Tighten with Spanner Key (**Q**). Then using 02 short bolt (**I**) connect Right frame (**B**) to Back frame (**A**). Tighten with Allen key (**Q**). (See Fig.3)

**Fig. 3**



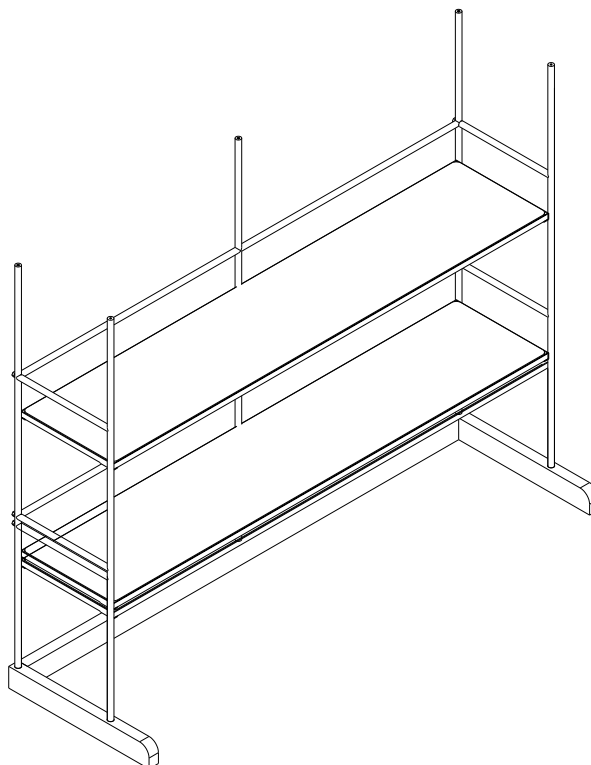
5. Repeat step 2 for the Left frame (C). Then insert Shelf (D) to frame, Attach it with the frame using 02 Short bolt (I). Tighten with Allen Key (Q). (See Fig. 4). Repeat for the remaining shelf.

Fig. 4



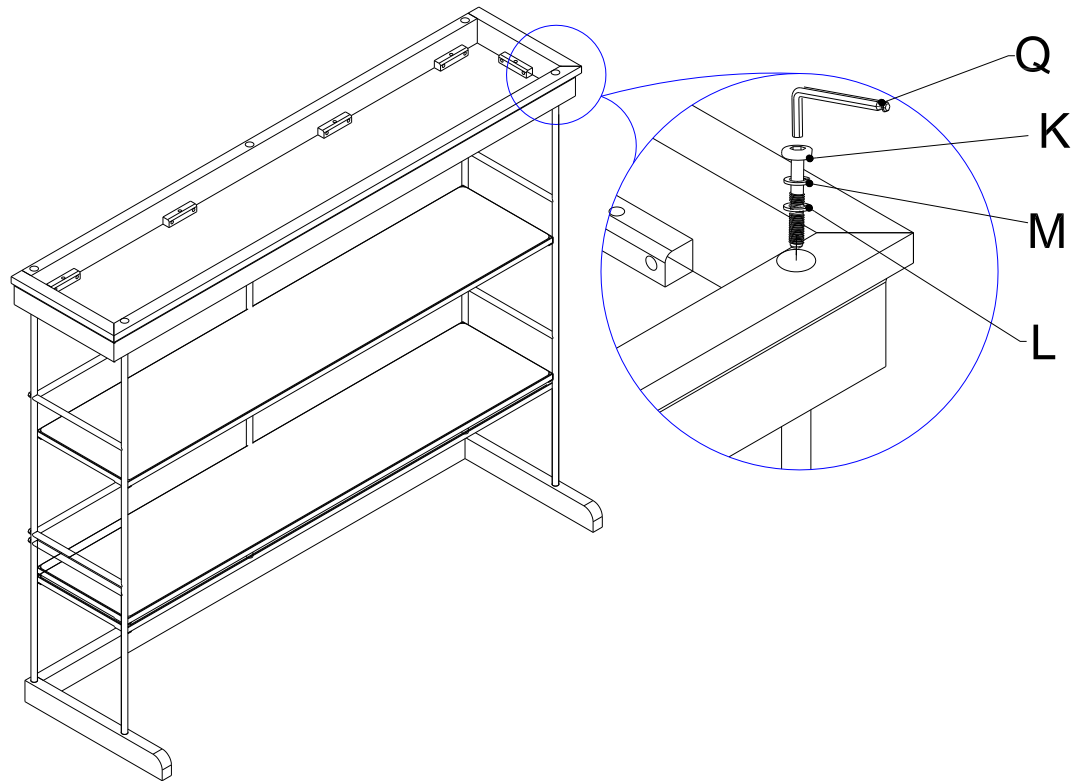
6. Now, insert all tube post to pre-hole on Base (F). (See Fig. 5)

Fig. 5



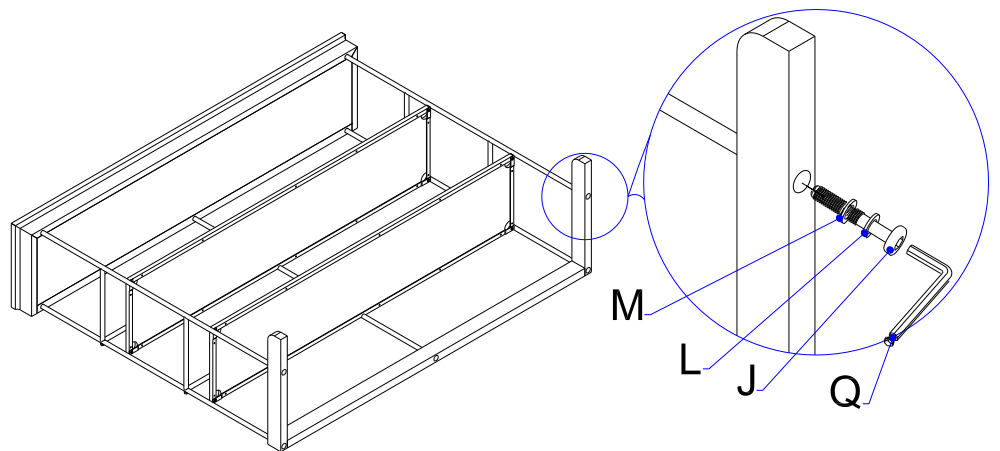
7. Insert all tube post of frame to pre-hole on Top (E). Attach the frame to the Top (E) using 05 Long bolt (K), 05 spring washer (L) and 05 Flat washer (M). Tighten with Allen Key (Q). (See Fig. 6).

**Fig. 6**



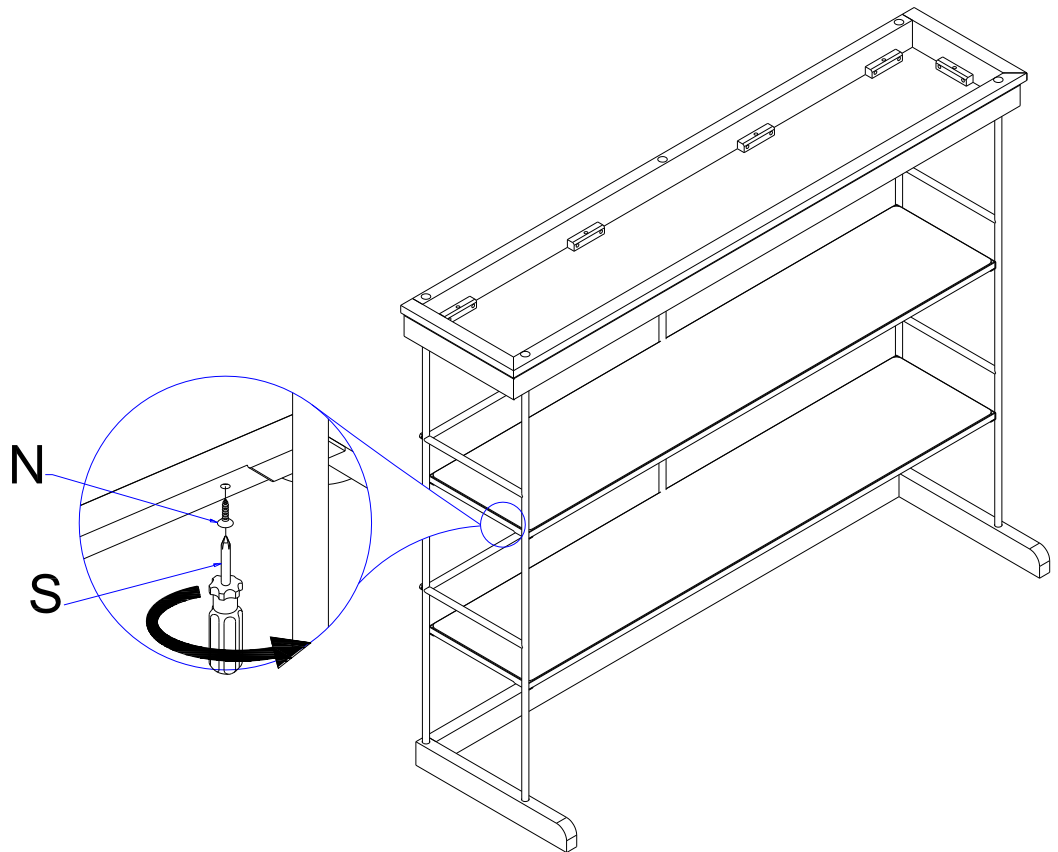
8. Be careful line down the frame on a scratch-free surface. Attach the frame to the Base (F) using 05 Medium bolt (J), 05 Spring washer (L) and 05 Flat washer (M). Tighten with Allen Key (Q). (See Fig. 7).

**Fig. 7**



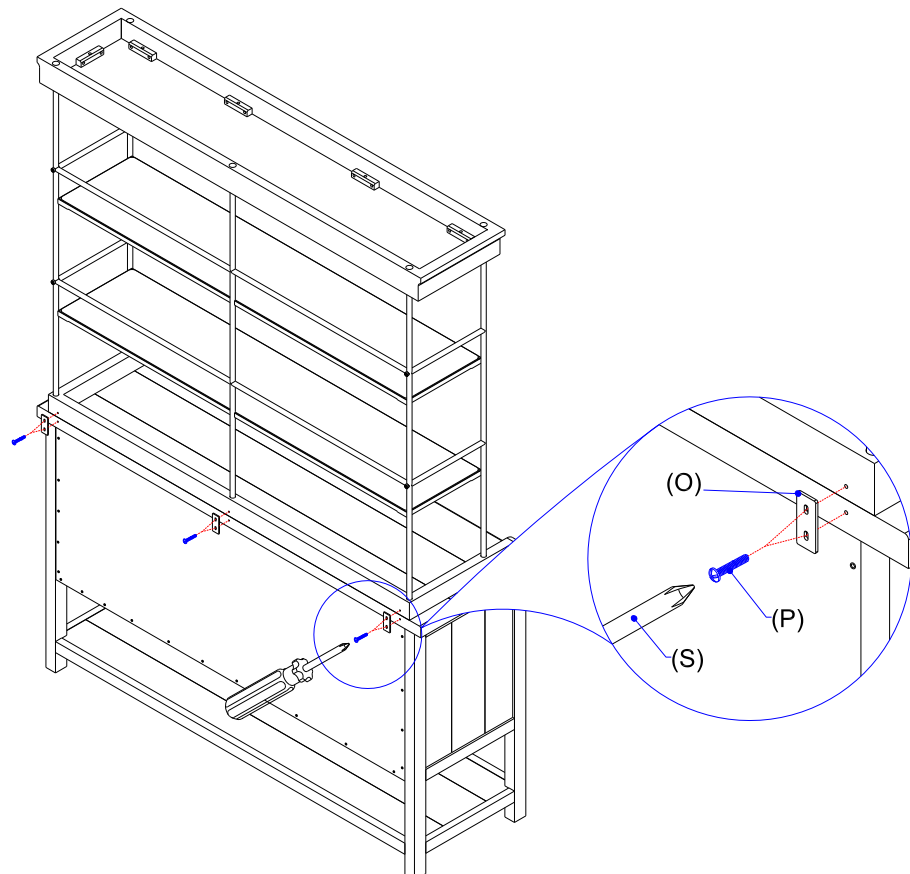
9. Now, Lining up the Hutch and attach screw (L) between frame and Shelf (D) by pre-drill on frame. Tighten by Philip Screwdriver (R). (See Fig. 8).

**Fig. 8**



- 10.** Carefully place the Hutch on the Buffet (**G**). Make sure that the back of Hutch is flat with the back of Buffet (**G**).
- 11.** Attached the three connector plate (**O**) with the screws (**P**) on the lower rail of the Hutch to the top of the Buffet (**G**). Make sure the connector plate (**O**) are aligned with the pre-drilled hole on the back of the Buffet (**G**). Tighten all screws with Philips screwdriver (**S**). (See **Fig.9**)

**Fig. 9**



- 12.** Assembly is complete.

**Care Instructions:**

- Dust with a soft dry cloth.
- Wipe spills immediately.
- Avoid using harsh chemicals and abrasives as they may damage the finish. A light application of furniture-quality, clear paste wax should be applied periodically to further protect the surface from minor spills.
- Do not expose to direct sunlight or excessive temperatures.

Thank you for your purchase.  
stores | catalog | [www.potterybarn.com](http://www.potterybarn.com)