

# P O T T E R Y B A R N

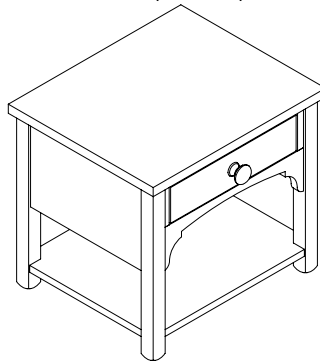
## Adelle Bedside Table Assembly instructions

### Pre-Assembly:

- Please read all instructions carefully before assembly.
- For your safety and ease, assembly by two people is recommended.
- Carefully lay out and identify all parts and prior to assembly.
- Save all packing materials until assembly is complete to avoid accidentally discarding any parts.

### Parts included:

- (A) Feet – (4) pcs
- (B) Table top – (1) pc



### Assembly Instructions:

1. Lay the table top (B) upside down on a soft, scratch-free surface such as a carpet or rug.
2. Remove feet (A) from inside the box labeled "Feet Inside". Insert them into the predrilled holes in bottom of table and turn as shown in figure 1.
3. Turn the table right side up as shown in figure 2.
4. If the floor is uneven the table may not sit properly. Recessed levelers are located under each of the table's feet and can be adjusted to allow the table to sit evenly. To adjust the levelers, carefully grasp one side of the table and elevate it slightly to provide access to the levelers. Turn the levelers until adequate contact will be made with the floor. Carefully set the table down. Repeat until the table is level and stable.
5. Assembly is complete.

Figure 1

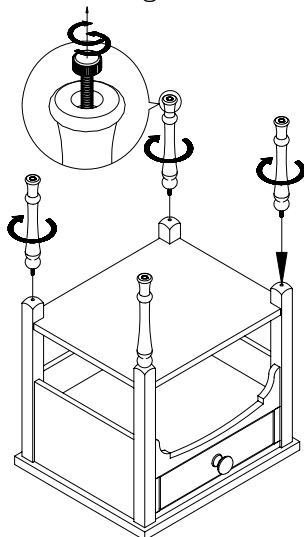
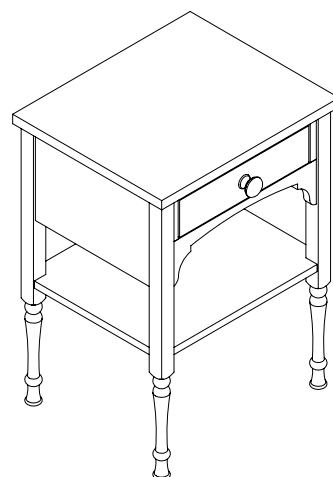


Figure 2



### Care Instructions:

- Wipe with a soft, clean cloth.
- Avoid the use of all chemicals as they may harm the finish.

thank you for your purchase  
stores | catalog | [www.potterybarn.com](http://www.potterybarn.com)