

P O T T E R Y B A R N

PB Classic Sconce Base

Important Safety Instructions:

- ❖ These instructions are provided for your safety. It is important that they are read carefully and completely before installing fixture.
- ❖ **We strongly recommend that a professional electrician install all direct wire fixtures.**
- ❖ This fixture has been rated for up to (3) 100-watt maximum Type A bulb (not included). To avoid the risk of fire, do not exceed the recommended wattage.
- ❖ Not intended for outdoor use.

Pre-assembly:

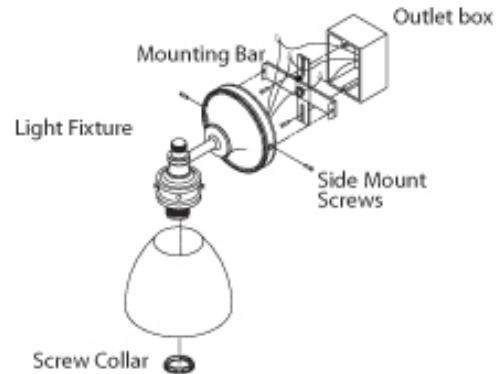
- ❖ Remove all parts and hardware from box along with any plastic protective packaging. Do not discard any contents until after assembly is complete to avoid accidentally discarding small parts or hardware.

Parts and Hardware Included:

- (1) Light Fixture
- (1) Mounting bar with green ground screw
- (1-3) Screw Collar
- (2) Side Mount Screws

To install you will need:

- Electrical tape and Screwdriver
- (2) Outlet box screws
(usually supplied with outlet box)



To Install:

1. SHUT OFF THE MAIN ELECTRICAL SUPPLY FROM THE MAIN FUSE BOX/CIRCUIT BREAKER
2. Gently pull the wiring out from the outlet box in your home and allow wires to hang.
3. Place the flat side of the mounting bar flush with the outlet box. Gently pull the wiring from the outlet box through the mounting bar and allow wires to hang. Position the mounting holes in the mounting bar with the corresponding holes in your outlet box. Insert outlet box screws through the mounting bar and outlet box. Tighten with a screwdriver.
4. IT IS IMPERATIVE THAT THE OUTLET BOX IS PROPERLY GROUNDED. Attach the outlet box GROUND WIRE (green or bare wire) to the bare copper GROUND WIRE of the fixture. Fasten with a plastic wire connector and wrap with electrical tape. If there is no ground wire from the junction box, wrap some of the fixture's ground wire (copper) around the green ground screw on the mounting bar and tighten the screw.
6. Carefully inspect the sconce's two fixture wires. One is white (neutral) the other is black (hot).
7. Connect the NEUTRAL WIRE from the fixture to the NEUTRAL WIRE in the outlet box (usually white). Fasten together with a plastic wire connector and wrap the connection with electrical tape. Be sure that no wire strands are exposed.
8. Connect the HOT WIRE from the fixture to the HOT JUNCTION BOX WIRE in the outlet box (usually black). Fasten together with a plastic wire connector and wrap the connection with electrical tape. Be sure that no wire strands are exposed.
9. Tuck the wire connections neatly into the outlet box.
10. Position the back plate of the fixture over the mounting bar making sure that all wire connections are tucked neatly behind the back plate.
11. Using screwdriver, secure fixture to mounting bar with side-mount screws.
12. To install the shade (not included) remove the socket screw collar. Position a shade over the socket and then screw the collar back in place.
13. Insert bulb (not included) and restore the power in the junction box. Installation is complete.

Care Instructions:

Wipe with soft dry cloth only. Always avoid the use of harsh chemicals or abrasives.

thank you for your purchase