

# POTTERY BARN

## triple glass shelf

*Note:* For safe mounting, it is essential to use the proper hardware for your wall type. Be sure to consult your local hardware store to determine the hardware needed for your wall type (plaster, drywall, concrete, etc.). Mount to wood studs whenever possible. Note: For stud mounting the anchors are not required, use only the screws.

### *Parts Included:*

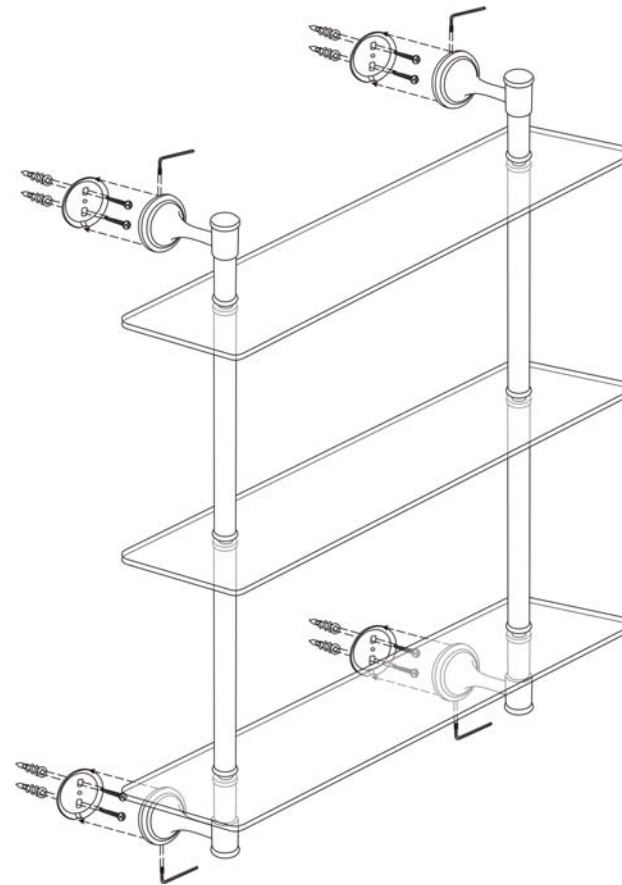
- 4 Mounting plates
- 8 Screws
- 8 Drywall anchors
- 4 Mounting brackets
- 4 Hex screws
- 1 Allen Wrench
- 3 Glass Shelves

### *Mounting Instructions:*

1. Mark location of the screw holes with a pencil. Remove from wall. Use a carpenter's level or measure up from the floor at each mark to be sure the brackets will be level.
2. For dry wall mount, use a Phillips screwdriver to insert the wall anchors, slowly turn the anchors until they are threaded into the wall.
3. Align the mounting plates on the wall over the anchors, and insert screws with Phillips screwdriver until tight (*caution. do not over tighten the screw*).
4. Slide mounting brackets onto mounting plates. Secure by tightening hex screws with Allen wrench

### *Care Instructions:*

Wipe with a soft, dry cloth. To protect the finish, do not use household cleaners or abrasives.



thank you for your purchase

stores | catalog | [www.potterybarn.com](http://www.potterybarn.com)