

POTTERY BARN

HUDSON CANOPY BED Full

Pre-Assembly:

- ❖ Please read all instructions carefully before assembly.
- ❖ For your safety and ease, assembly by two people is recommended.
- ❖ Carefully lay out and identify all parts and hardware prior to assembly.
- ❖ Save all packing materials until assembly is complete to avoid accidentally discarding small parts or hardware.

Part Included:

- | BOX 1 | BOX 2 | BOX 3 | BOX 4 |
|---------------------|---------------------|--|--|
| • (1) Headboard (A) | • (1) Footboard (B) | • (2) Side rails (C1, C2)
• (1) Slat Roll | • (2) Side canopies (D1, D2)
• (2) Front & Back canopies (E1, E2) |

Hardware Enclosed:

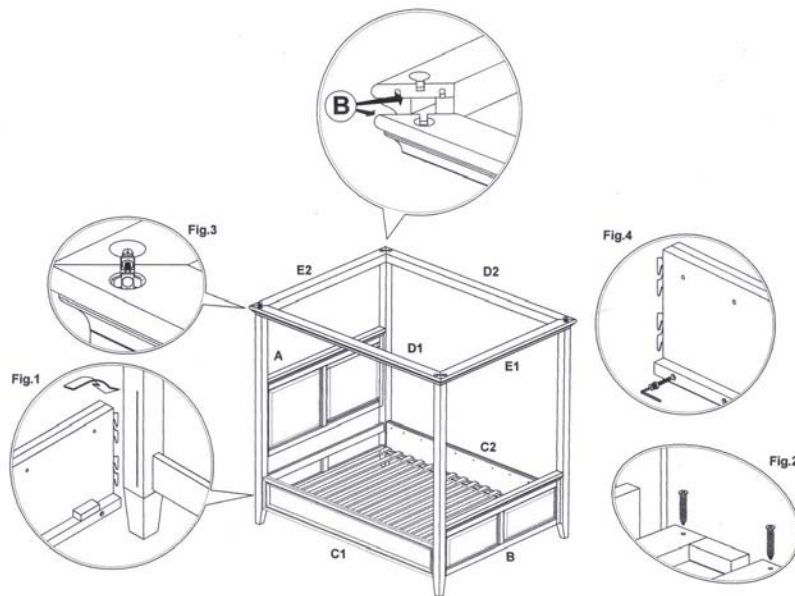
- (32) Wood screws ¼ x 1" (includes 2 additional screws)
- (4) Worktop Connectors
- (1) Wrench Key
- (1) Allen Wrench

Assembly instructions:

1. Attach side rails (C1, C2) to headboard (A) and footboard (B), placing hook into slot. (Fig. 1)
2. Lay the slat roll in place so the pre-drilled holes on the end of each slat line up with the pre-drilled holes on the side rail lip.
3. Secure the slats by inserting the wood screws. Tighten screws with a Phillips screwdriver. (Fig. 2)
4. Carefully lay front, back (E1, E2) and side canopies (D1, D2) on a smooth and flat surface. Put all parts together using the worktop connectors so that it becomes a fully assembled canopy. Secure with Wrench key. (Fig. 3).
NOTE: All canopy parts are lettered A, B, C, D. Make sure to attach each part to meet with another part of the same letter; A to A, B to B, C to C, and D to D.
5. Carefully place the assembled canopy on top of each poster. Assembly is complete.

The slat roll can be placed in two different positions, depending on height preference. To adjust/change slat position:

1. Release the slat roll.
2. Un-tighten the slat support screws using Allen wrench. Place the slat support at the required position, secure by tightening screws with the Allen wrench. (Fig. 4)
3. Place the slat roll back into position.



Care Instructions:

- For daily cleaning, dust with a dry, soft cloth. Avoid the use of chemical and abrasive cleaners. Wipe up spills immediately.

thank you for your purchase