

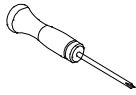
# P O T T E R Y B A R N

## Page Recessed Medicine Cabinet

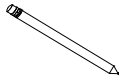
Note: Professional installation required

- This hanging system is meant for drywall/stud mounting only.
- If walls are concrete, brick or plaster, please consult your local hardware store for assistance.
- For safety, installation by two people is recommended.

### Tool Required (Not Included):

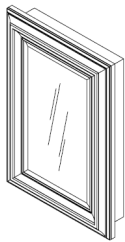


Stud Finder Phillips Screwdriver

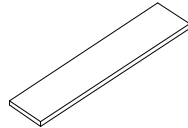


Pencil

### Parts Included:



Wooden Cabinet (1pc) - A



Glass Shelf (2pcs) -B

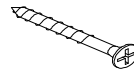
### Hardware Included :



Shelf pin (8pcs) - a



Rubber Pad (2pcs) – b



Toggle Screw (4pcs) -c

### Pre-Assembly:

- Remove all parts and hardware from the box and lay out on a clear workspace, along with any plastic protective packaging. Do not dispose of any contents until assembly is complete to avoid accidentally discarding small parts or hardware.
- Use the parts and hardware lists above to identify and separate each of the pieces included.
- The illustrations provided allow for easier assembly when used in conjunction with the assembly instructions.

### MOUNT CABINET TO THE WALL

#### Professional Mounting Instructions: See Figure 1

1. Mark the desired location on the wall for installation.
2. After verifying the recessed portion dimensions of cabinet, use appropriate tools to cut a rectangle in the wall covering (sheetrock) measuring approximately 19.5 inches wide and 30 inches high. Use the level to make sure that the cutout is true and level.

Note to the professional installer: Once the sheetrock cutout is removed, it is likely that at least one wall stud will interfere with the inserted portion of this cabinet (A) and that some internal framing will be required. This will likely include cutting a section from the interfering stud and adding stud sections to ensure that there is wood support located adjacent each side of this cabinet (A) when it is inserted.

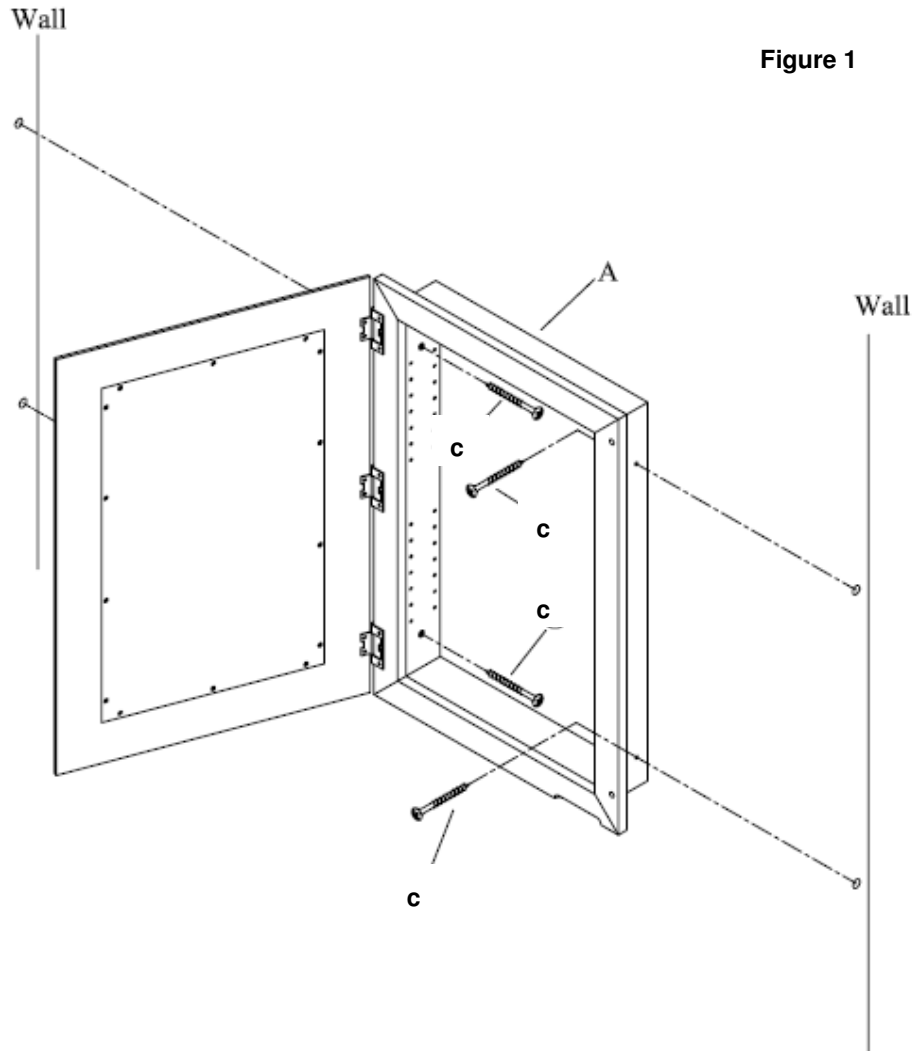
# P O T T E R Y B A R N

## Page Recessed Medicine Cabinet

3. After the appropriate stud cutting and framing has been done, insert the cabinet (A) into the recess and ensure that it fits snugly and is true. Adjust and shim as necessary and make sure that the outer molding of cabinet (A) lies flush against the wall surface.

4. While holding the cabinet (A) firmly in the recess, insert toggle screws (c) into the holes located along the inside side panels of the cabinet (A). Using a Phillips head screwdriver, screw each of the toggle screws (c) into the adjacent wall studs or wood support structure until tight.

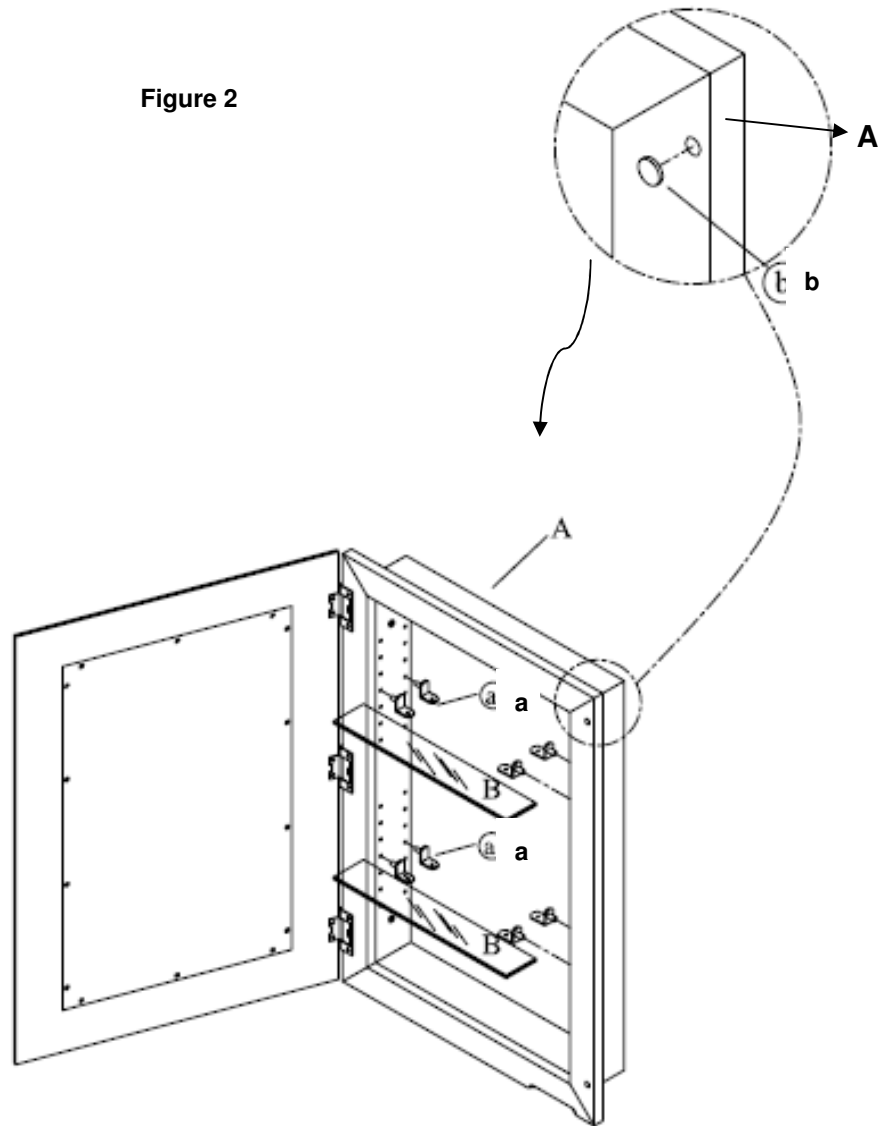
Note: Cabinet cannot be rotated to adjust door opening direction.



### Assembly Instructions:

1. To install the shelf: insert the shelf pin (a) into the pre-drilled holes on the interior side of the wooden cabinet (A) to set each shelf at a desired level – FOUR per shelf. Once all four shelf pins (a) are in position, gently lay the glass shelf (B) onto the shelf pin (a). Repeat for the other shelf. See **Figure 2**
2. Attach the rubber pads (b) over the magnet in the wooden cabinet (A) (Optional). See **Figure 2**

Figure 2



**Care Instructions:**

- ◆Wipe cabinet with a soft, dry cloth.
- ◆To protect the finish, avoid the use of all chemical and household cleaners and abrasives as they may damage finish

thank you for your purchase

[Stores/catalog/www.potterybarn.com](http://Stores/catalog/www.potterybarn.com)