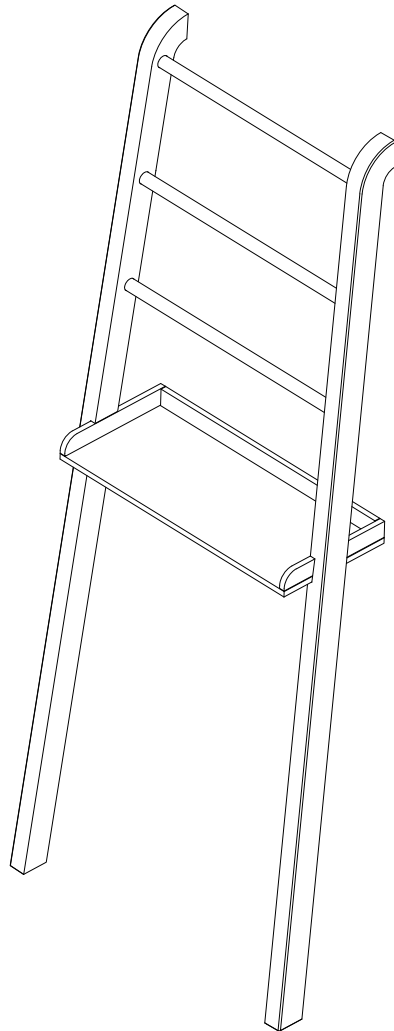


POTTERY BARN

NAPA OVER TOILET STORAGE

ASSEMBLY INSTRUCTIONS



Important Safety Instructions:

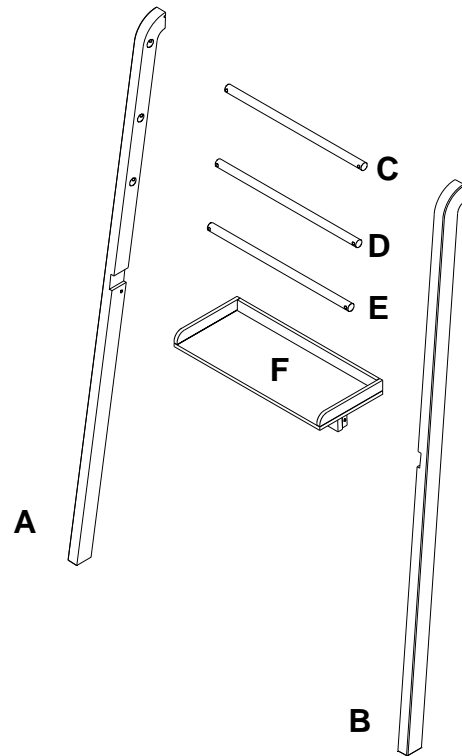
- Please read all instructions carefully before assembling.
- For your safety, assembly by two or more adults is strongly recommended.
- Keep instructions for future use.
- Use only vendor supplied hardware to assemble. Using unauthorized hardware could jeopardize the structural integrity of the item.
- The mounting hardware included with this item is meant for dry wall/stud mounting only. If your walls are made from something other than drywall or wood such as concrete, brick or plaster, please consult your local hardware store for assistance in selecting the appropriate hardware. This item is secured to the wall using either expanding anchors and screws for drywall or just the screws if a mounting hole happens to align with a wall stud.
- The maximum individual shelf weight capacity is 20 pounds. **Do not** exceed the load capacity.

Pre-assembly:

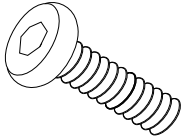
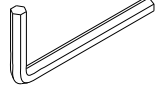
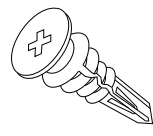
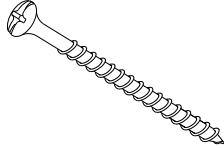
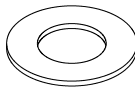
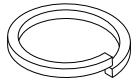
- Remove all parts and hardware from the box and lay out on a clear carpeted or scratch-free work surface, as this will avoid damaging parts during assembly. The shipping box provides an ideal work surface.
- Do not dispose of any packaging or contents of the shipping carton until assembly is completed to avoid accidentally discarding small parts or hardware.
- Use the parts and hardware lists below to identify and separate each of the pieces included.
- The illustrations provided allow for easier assembly when used in conjunction with the assembly instructions.
- The use of power tools to aid in assembly is not recommended. Power tools can damage hardware and split wood.

Parts Included:

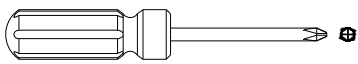
- (A) Left Post 1x
- (B) Right Post 1x
- (C) Upper Rail 1x
- (D) Middle Rail 1x
- (E) Bottom Rail 1x
- (F) Fixed Shelf 1x



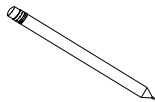
Hardware Included:

<p>(G) Bolt</p>  <p>Dia. 1/4" x 1-3/4"</p> <p>8x</p>	<p>(H) Toggle Screw</p>  <p>1x</p>	<p>(I) Toggle</p>  <p>Dia. 14 x42mm</p> <p>2x</p>	<p>(J) Toggle Screw</p>  <p>Dia. 4 x 38mm</p> <p>2x</p>	<p>(K) Flat Washer</p>  <p>8x</p>	<p>(L) Spring Washer</p>  <p>8x</p>
---	---	--	---	--	--

Tools Required (not included):



Philips Head Screwdriver



Pencil

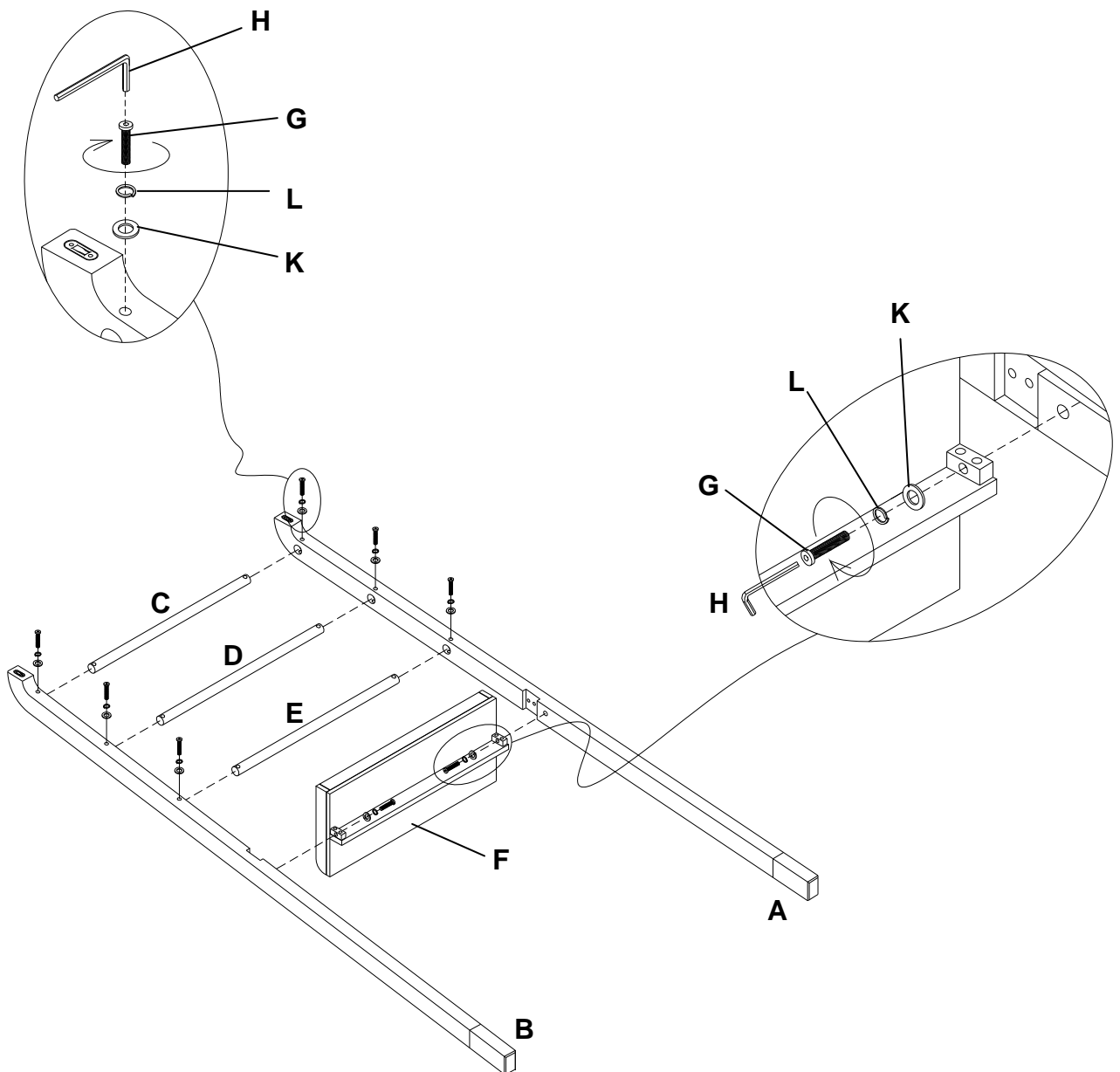
Stud Finder

Level

Tape Measure

Assembly Instruction Steps:

1. Attach Rails (C) & (D) & (E) and Fixed Shelf (F) to Left Post (A) and Right Post (B) using Bolts (G) Spring Washers (L) and Flat Washers (K). Tighten by hand at first and then securely tighten with Allen Wrench (H).

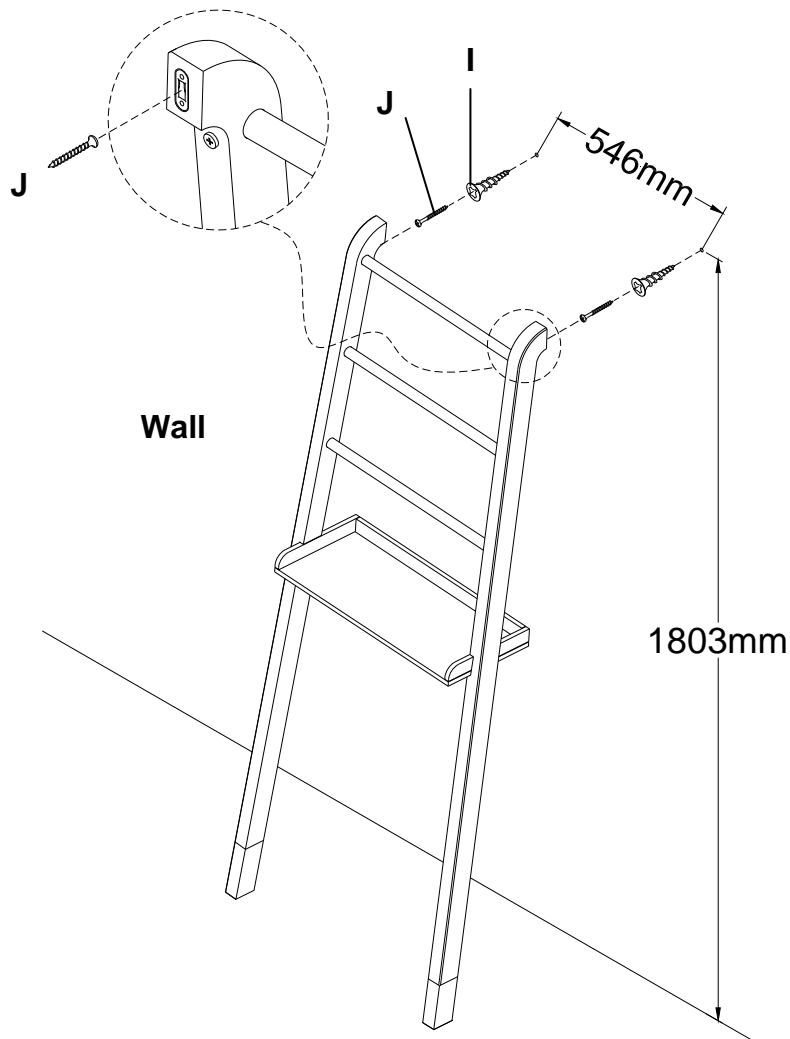


2. Find wall studs:

Determine the desired placement on the wall for the product. Within that range, locate a stud using a stud finder and make a small mark on the wall with a pencil at that location.

3. Mount the toilet storage to the wall:

- 1) Find wall stud and determine the desired placement on the wall for the product. It is better to mount the wall rail to at least (1) stud. To use a felt-tipped pen to mark the wall as the position shows on below drawing. Please note the distance between the two holes is **546mm**, the distance from floor to the hole is **1803mm**.
- 2) Drill the holes at the marked places on the wall, then use a manual screwdriver, drive two toggles (I) into the wall at the marks on the left and right. To install these toggles (I) into the wall, simply rotate them at the marked location as if they were a large screw, applying smooth even force. **DO NOT HIT THEM WITH A HAMMER AND DO NOT USE A POWER DRILL TO ROTATE THEM.** These toggles are designed to bore themselves into the wall. Continue rotating until the toggle head advances flush with the wall surface.
- 3) Once the toggles (I) are installed into the wall at the marked locations, screw the toggle screw (J) on it. The toggle screw (J) head should be exposed about 5mm.
- 4) Hang the product onto the head of toggle screw (J); lock the screw with the lock catch.



Care Instructions:

- Dust often using a clean, soft, dry and lint-free cloth.
- Blot spills immediately and wipe with a clean, damp, cloth.
- We do not recommend the use of chemical cleansers, abrasives or furniture polish on our lacquered finish.
- Hardware may loosen over time. Periodically check to make sure all connections are tight. Re-tighten if necessary.