

P O T T E R Y B A R N

Stella Medicine Cabinet Recessed

Note: Professional installation required

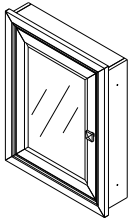
Important safety instructions:

Please read all instructions carefully before assembling. For your safety, mounting by two people is recommended. The maximum individual shelf weight capacity is 10lbs. Do not exceed the load capacity.

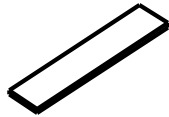
Tools Required (Not Included):

Stud Finder
Pencil
Tape Measure
Phillips Screwdriver
Level

Parts Included:



Wooden Cabinet (1pc) - A



Glass Shelf (3pcs) -B

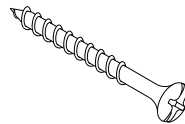
Hardware Included :



Shelf support (12pcs) – a



Rubber bumper (2pcs) – b



Mounting Screws (4pcs) - c

Removing Parts from Packaging:

Remove all parts and hardware from the box and lay them out on a clear workspace, along with any plastic protective packaging. Do not dispose of any contents until assembly is complete to avoid accidentally discarding small parts or hardware.

Professional Mounting Instructions: See Figure 1

1. Mark the desired location on the wall for installation.
2. After verifying the dimensions of the recessed portion of the cabinet, use appropriate tools to cut a rectangle in the wall covering (sheetrock) measuring approximately 20.25 inches wide and 27.3 inches high. Use the level to make sure that the cutout is true and level.

Note to the professional installer: Once the sheetrock cutout is removed, it is likely that at least one wall stud will interfere with the inserted portion of this cabinet (A) and that some internal framing will be required. This will likely include cutting a section from the interfering stud and adding stud sections to ensure that there is wood support located adjacent each side of this cabinet (A) when it is inserted.

3. After the appropriate stud cutting and framing has been done, insert the cabinet (A) into the recess and ensure that it fits snugly and is true. Adjust and shim as necessary and make sure that the outer molding of the cabinet (A) lies flush

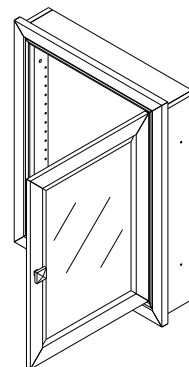
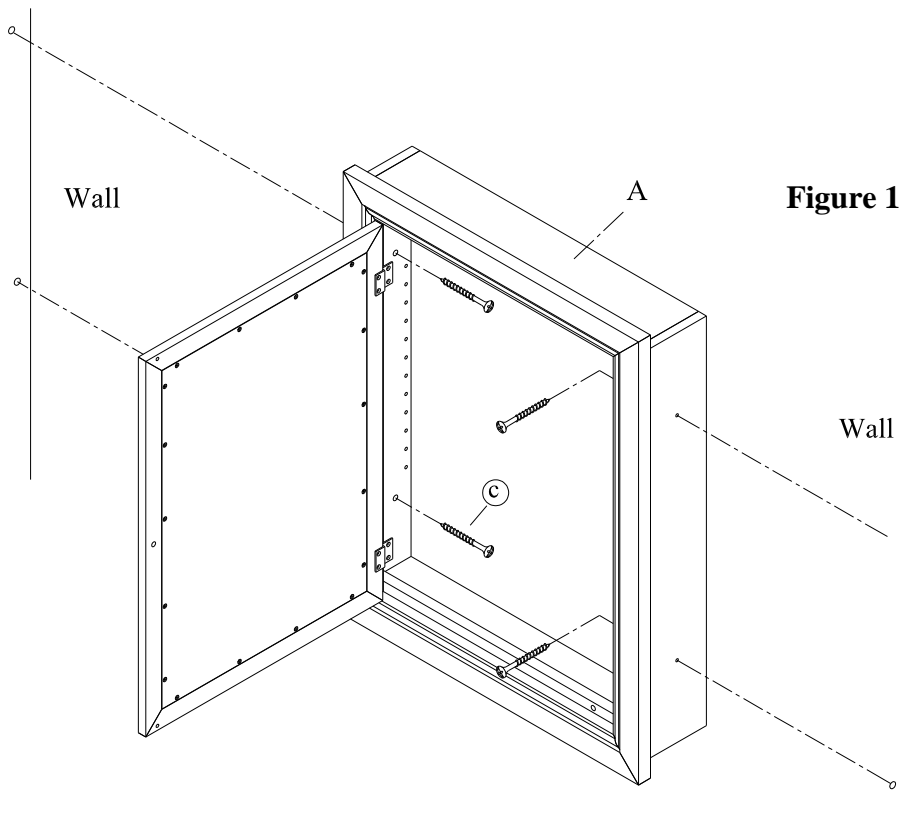
POTTERY BARN

Stella Medicine Cabinet Recessed

against the wall surface.

4. While holding the cabinet (A) firmly in the recess, insert mounting screws (c) into the holes located along the inside side panels of the cabinet (A). Using a Phillips head screwdriver, screw each of the mounting screws (c) into the adjacent wall studs or wood support structure until tight.

Note: Cabinet can be rotated to adjust door opening direction.



Assembly Instructions:

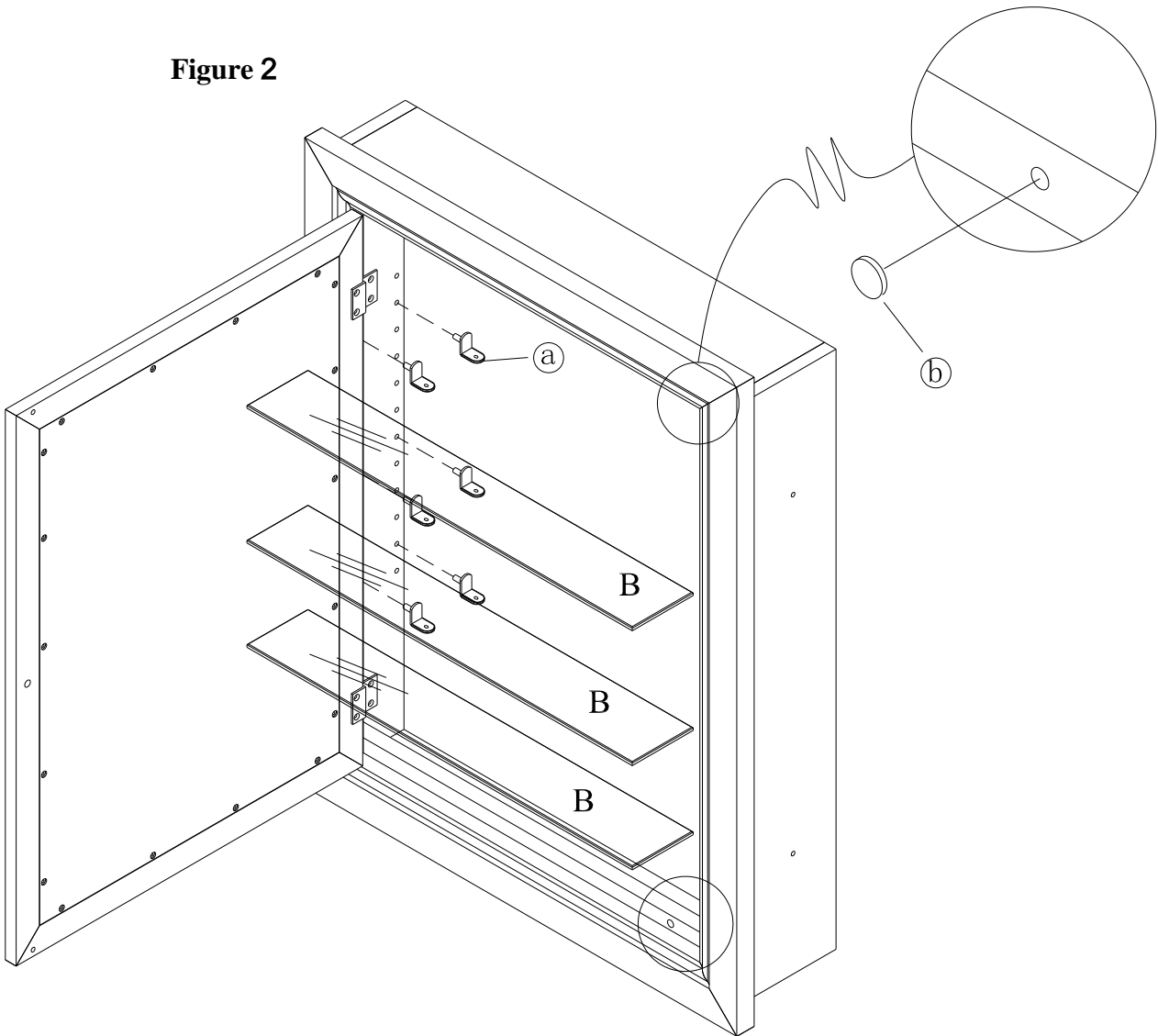
1. To install the shelf: insert the L-shape shelf support (a) into the pre-drilled holes on the interior side of the wooden cabinet (A) to set each shelf at a desired level – FOUR per shelf. Once all four shelf supports (a) are in position, gently place glass shelf (B) onto the L-shape shelf supports (a). Repeat for the other shelf. See **Figure 2**.

POTTERY BARN

Stella Medicine Cabinet Recessed

3. Attach the adhesive rubber bumper (b) over the magnet in the wooden cabinet (A) (Optional). See **Figure 2**

Figure 2



Care Instructions:

- Wipe cabinet with a soft, dry cloth.
- To protect the finish, avoid the use of all chemical and household cleaners and abrasives as they may damage finish.

thank you for your purchase
stores / catalog / www.potterybarn.com