

P O T T E R Y B A R N

Page Wall Mounted Medicine Cabinet

Note: Professional installation required

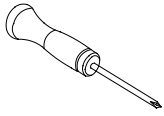
Important safety instructions:

Please read all instructions carefully before assembling. For your safety, assembly by two people is recommended.

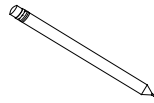
The maximum individual shelf weight capacity is 5lbs. Do not exceed the load capacity.

- This hanging system is meant for drywall/stud mounting only.
- If walls are concrete, brick or plaster, please consult your local hardware store for assistance.
- For safety, installation by two people is recommended.

Tool Required (Not Included):



Stud Finder Phillips Screwdriver

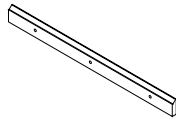


Pencil

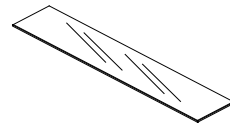
Parts Included:



Cabinet(1pc) - A



Wall rail (1pc) -B



Glass Shelf (2pcs) -C

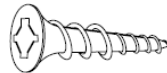
Hardware Included :



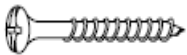
Shelf pin (8pcs) -a



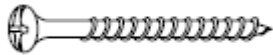
Rubber Pad (2pcs) -b



Toggle (2pcs) - c



Toggle Screw (2pcs) -d



Long Wood Screw (5pcs) -e

Pre-Assembly:

- Remove all parts and hardware from the box and lay out on a clear workspace, along with any plastic protective packaging. Do not dispose of any contents until assembly is complete to avoid accidentally discarding small parts or hardware.
- Use the parts and hardware lists above to identify and separate each of the pieces included.
- The illustrations provided allow for easier assembly when used in conjunction with the assembly instructions.

P O T T E R Y B A R N

Page Wall Mounted Medicine Cabinet

MOUNT WALL RAIL TO THE WALL

1. Find wall studs and determine the desired placement on the wall for the product. Position the wall rail (B) on the wall and adjust so that the rail is level and a pre-drilled holes of wall rail aligns with a stud. Then, use a felt-tipped pen to mark the wall through appropriate pre-drilled holes of the wall rail to indicate the locations of the drywall toggles. Also make sure to mark the wall rail itself at each selected pre-drilled hole using the pen.
2. Remove the wall rail and set aside.
3. Drill the holes at the marked places on the wall, then use a manual screwdriver, drive two toggles (c) into the drywall at the marks on the left and right, To install these toggles (c) into the wall, simply rotate them at the marked location as if they were a large screw, applying smooth even force. **DO NOT HIT THEM WITH A HAMMER AND DO NOT USE A POWER DRILL TO ROTATE THEM.** These toggles are designed to bore themselves into the wall. Continue rotating until the toggle head advances flush with the wall surface. See **Figure 1**
4. Once the toggles (c) are installed into the wall at the marked locations, reposition the wall rail (B) so that the marked holes of the rail align with the toggles. Using the supplied toggle screw (d) secure the rail (B) to the installed toggles (c). Note: The toggle includes a nut portion that must be "set" into a locked position prior to using the product. This is done automatically as you rotate the toggle screw (d) into the toggle (c), but keep in mind that the screw must be rotated quite a few times before the nut finally reaches this locked position. The nut will create resistance when it reaches the locked position within the wall. See **Figure 1**
5. Once the wall rail is attached to each toggle(c) using the toggle screw, the wall rail (B) must be secured to the stud located along the wall rail (B). Use the long wood screw (e) to secure the wall rail (B) to the wall through the middle hole of wall rail. See **Figure 1**

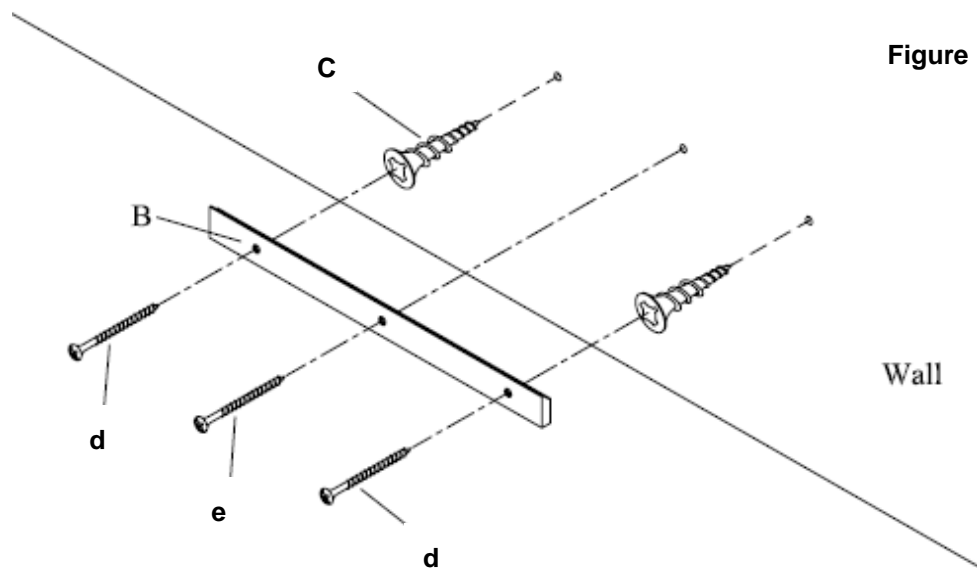


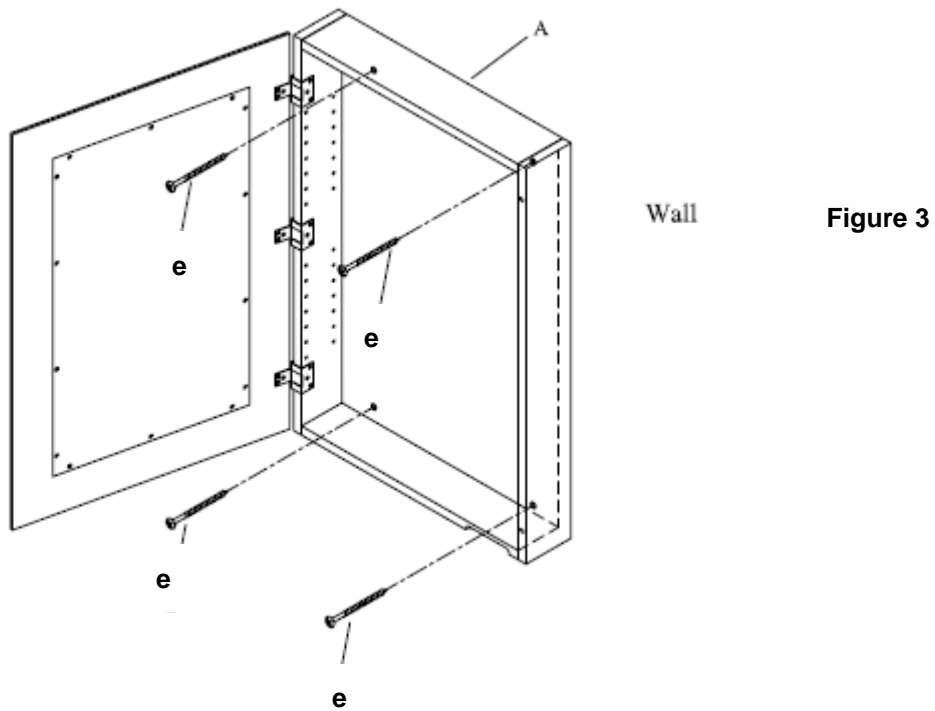
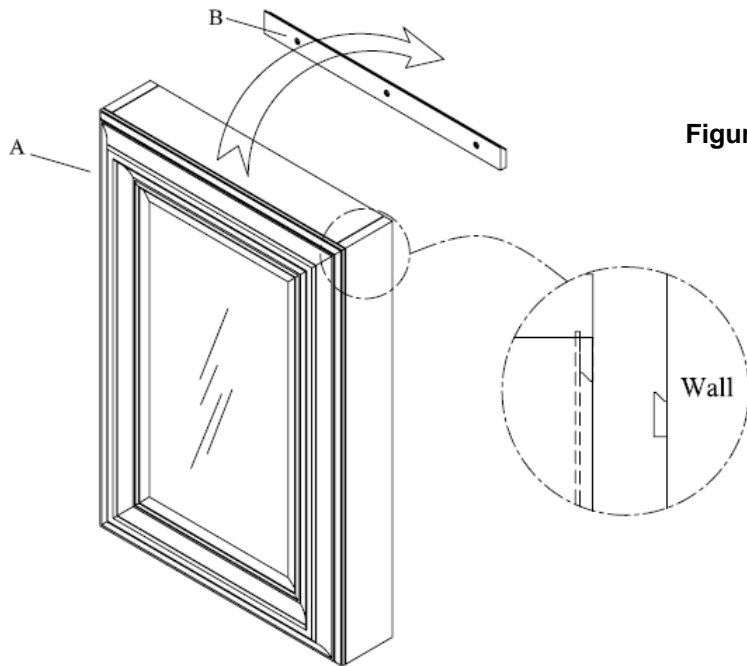
Figure 1

HANG THE PRODUCT ONTO THE MOUNTED WALL BRACKET

1. On the back of your product is one affixed product-mounting rail. **Figure 2.**
2. Carefully position the product-mounting rail slightly above and against the wall rail, insuring that the two rails are aligned. Engage the two rails. See **Figure 2**
3. Open the door of cabinet, insert the Long wood screw (e) screw through the back panel of the cabinet onto the mounted wall . See **Figure 3**

POTTERY BARN

Page Wall Mounted Medicine Cabinet



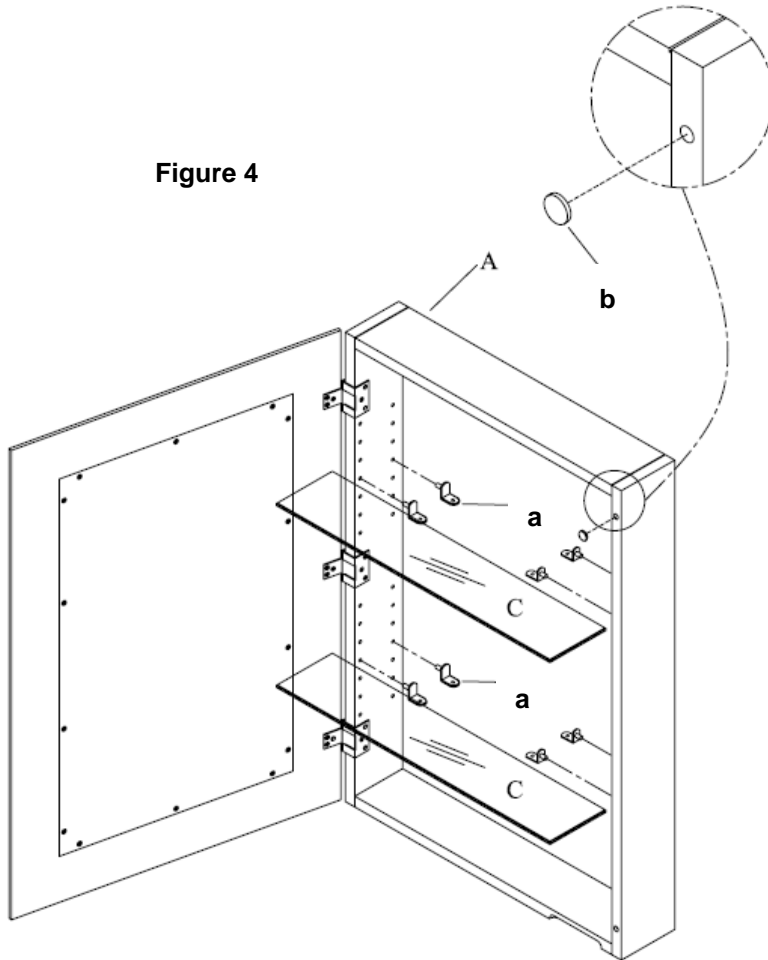
2. **To install the shelf:** Insert the shelf pin (a) into the pre-drilled holes on the interior side of the wooden cabinet (A) at desired level. Gently place glass shelf (C) onto the shelf pin (a). Repeat this step for the other shelf.

See **Figure 4**

Optional: Attach the rubber pad (b) into the magnet in the wooden cabinet (A). See **Figure 4**

POTTERY BARN

Page Wall Mounted Medicine Cabinet



Care Instructions:

- ◆Wipe cabinet with a soft, dry cloth.
- ◆To protect the finish, avoid the use of all chemical and household cleaners and abrasives as they may damage finish.

thank you for your purchase
Stores/catalog/www.potterybarn.com