

POTTERY BARN

Rustic Pine Shelf with Hooks

Assembly Instructions

Note: Assembly by two people recommended. Open the box safely and unpack all the included items. Do not discard packing until assembly is completed.

Parts Included:

- (2) Wooden Shelf (A & B)
- (1) Brackets (C & D)
- (1) Row of Hooks (E)

Hardware Included: (4) Allen Screws, (1) Allen Key, (4) Snap Screws (4) Screws

Max Load: Maximum total weight capacity for this product is 45 pounds in total (20.4 KG), 20 pounds (9.07 KG) per individual shelf layer and 5 (2.26 KG) pounds for the hooks.

Step 1: Place the Brackets (C & D) on the floor and insert wooden shelf into the brackets as per the illustration such that its holes align with the hole of Brackets. Insert Allen screws in the both holes and rotate clockwise until tight with the help of Allen key provided.

Now, attach second wooden shelf into the bracket as per above steps.

Step 2: Now, hold the item upright and level against a wall at desired mounting location. Use a pencil to mark to the wall through each of the four mounting holes. Set the item side.

Step 3: The provided Snap-screw cannot penetrate wood studs. Therefore we have to determine if any of the four marks of Step (2) happens to align with a wall stud. Use a stud-finder to determine this. If any mark does align with a stud, use a screwdriver to secure a provided screw into the wall at this mark when instructed to do so below.

Step 4: For marks that do not align with a wall stud, use a screwdriver to install a provided Snap-screw into the wall at the mark. Engage the head of the Snap-screw with the screwdriver and position the Snap-screw's tip at the mark. Rotate the Snap-screw clockwise while pushing it firmly into the wall. The Snap-screw will automatically drive itself into the wall. Continue rotating until the wide end of the Snap-screw becomes even with the wall surface. Do not over-tighten.

Step 5: Now hang the shelf to the wall so that the two upper holes in the brackets align with either installed Snap-screw or a stud. Use a screwdriver to secure a screw through each hole and into the installed Snap-screw or stud. Rotate the screws clockwise until tight.

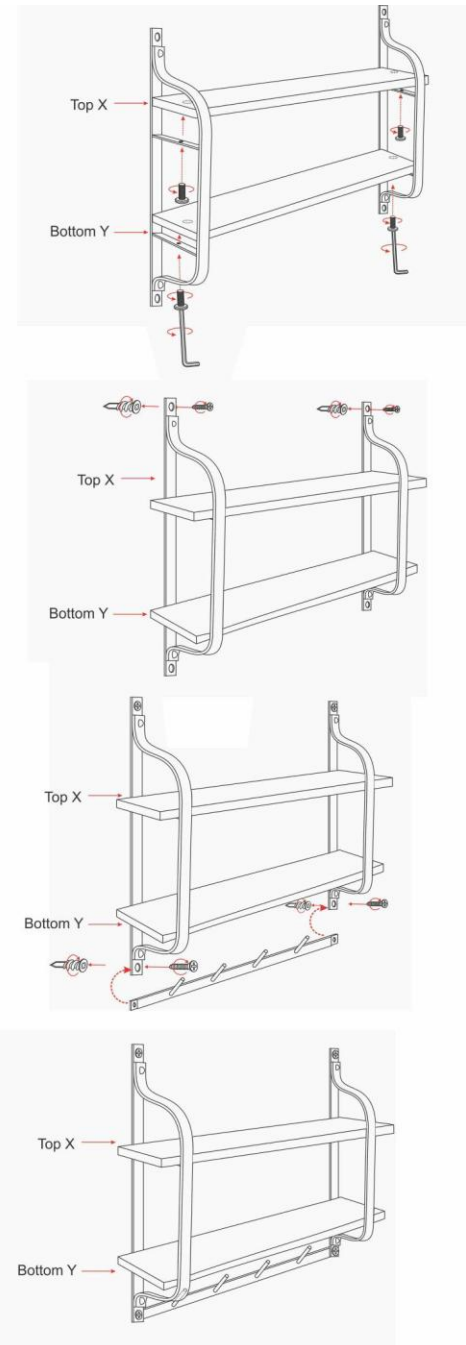
Step 6: Now insert Row of Hooks (E) at the back of attached brackets (C & D) to the below holes as per illustration such that its holes align to the brackets holes(C & D). Use a screwdriver to secure a screw through each hole and into the installed Snap-screw or stud. Rotate the screws clockwise until tight.

Assembly is complete.

Care Instructions:

Wipe with a soft, dry cloth. Do not use any abrasive or chemical household cleaners.

Thank you for your purchase!
Stores | Catalog | www.potterybarn.com



WARNING!

**DO NOT MOUNT THIS ITEM ABOVE CRIBS, BEDS,
or CHANGING TABLES.**