

POTTERY BARN

HUDSON CANOPY BED Queen / King / Cal King

Pre-Assembly:

- ❖ Please read all instructions carefully before assembly.
- ❖ For your safety and ease, assembly by two people is recommended.
- ❖ Carefully lay out and identify all parts and hardware prior to assembly.
- ❖ Save all packing materials until assembly is complete to avoid accidentally discarding small parts or hardware.

Part Included:

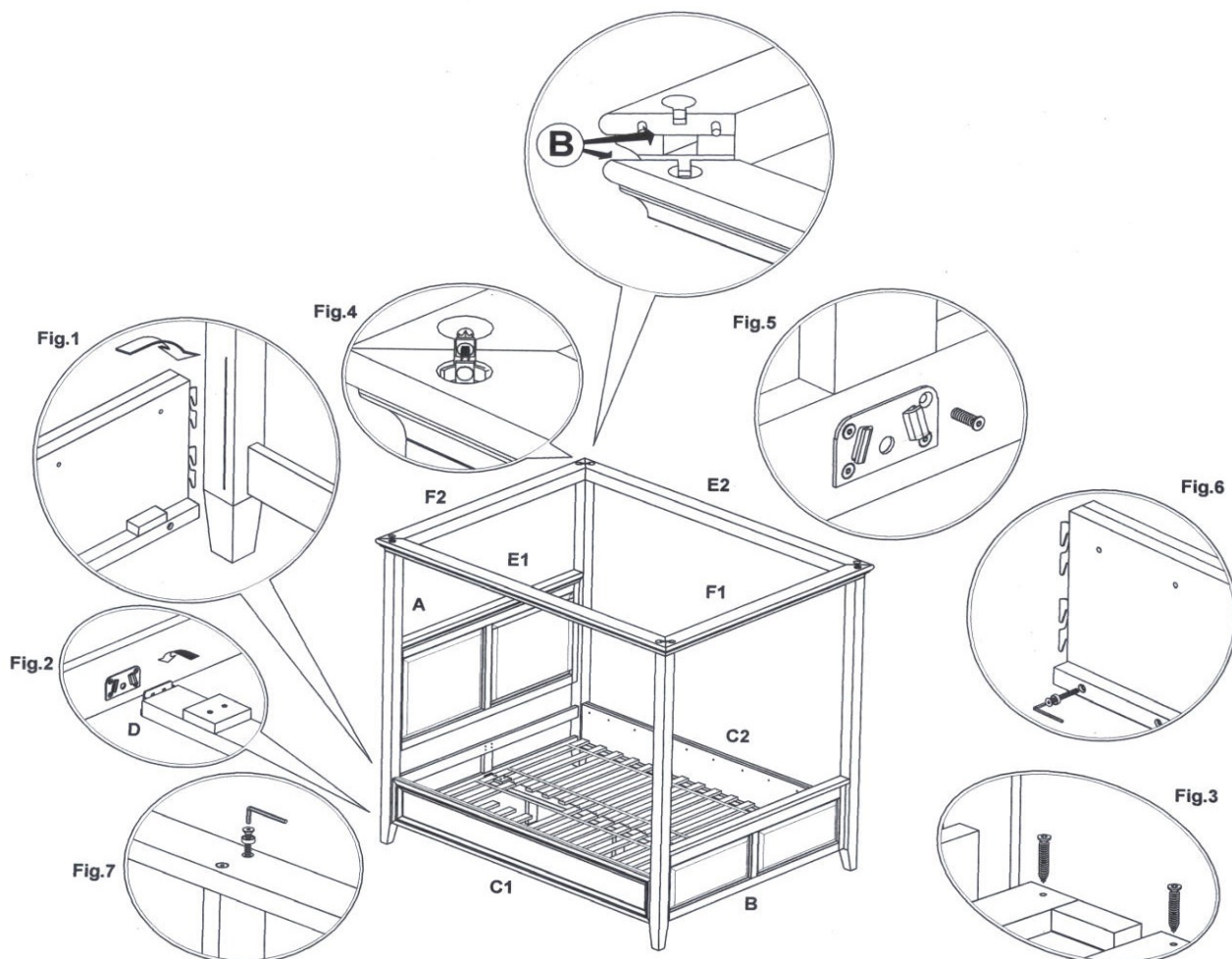
- | BOX 1 | BOX 2 | BOX 3 | BOX 4 |
|---------------------|---------------------|---|--------------------------------------|
| • (1) Headboard (A) | • (1) Footboard (B) | • (2) Side rails (C1, C2) | • (2) Side canopies (E1, E2) |
| | | • (1) Center Support Rail (D)
& Legs (3 short, 3 long) | • (2) Front & Back canopies (F1, F2) |
| | | • (2) Slat Rolls | |

Hardware Enclosed:

- (64) Wood screws $\frac{1}{4} \times 1"$ (includes 2 additional screws)
- (4) Worktop Connector
- (1) Wrench Key
- (1) Allen Wrench

Assembly instructions:

1. Attach side rails (C1, C2) to headboard (A) and footboard (B), placing hook into slot. (Fig. 1)
2. Place center support rail with three legs (D) into the brackets found at the center of headboard and footboard. (Fig. 2)
3. Lay the slat rolls in place so the pre-drilled holes on the end of each slat line up with the pre-drilled holes on the side rail lip.
4. Secure the slats by inserting the wood screws. Tighten screws with a Phillips screwdriver. (Fig. 3)
5. Lay front, back (F1, F2) and side canopies (E1, E2) on a smooth and flat surface. Put all parts together using worktop connectors and wrench key so that it becomes a fully assembled canopy. (Fig. 4).
NOTE: All canopy parts are lettered A, B, C, D. Make sure to attach each part to meet with another part of the same letter; A to A, B to B, C to C, and D to D.
6. Carefully place the assembled canopy on top of each poster. Assembly is complete.



HUDSON CANOPY BED

Queen / King / Cal King

Note: The slat roll can be placed in two different positions, depending on height preference. To adjust/change slat position:

1. Release the slat roll.
2. Release the center rail bracket screw using a screwdriver. Place it in required position, tighten with a screwdriver. (Fig. 5)
3. Release the slat support screw using Allen wrench. Place the slat support in required position, tighten with the Allen wrench. (Fig. 6)
4. Replace the leg support by unscrewing using Allen wrench. For lower slat position use the short legs, for higher slat position use the long legs. (Fig. 7). Place the slat roll back into position.

Care Instructions: For daily cleaning, dust with a dry, soft cloth. Avoid the use of chemical and abrasive cleaners. Wipe up spills immediately.

thank you for your purchase

stores | catalog | www.potterybarn.com