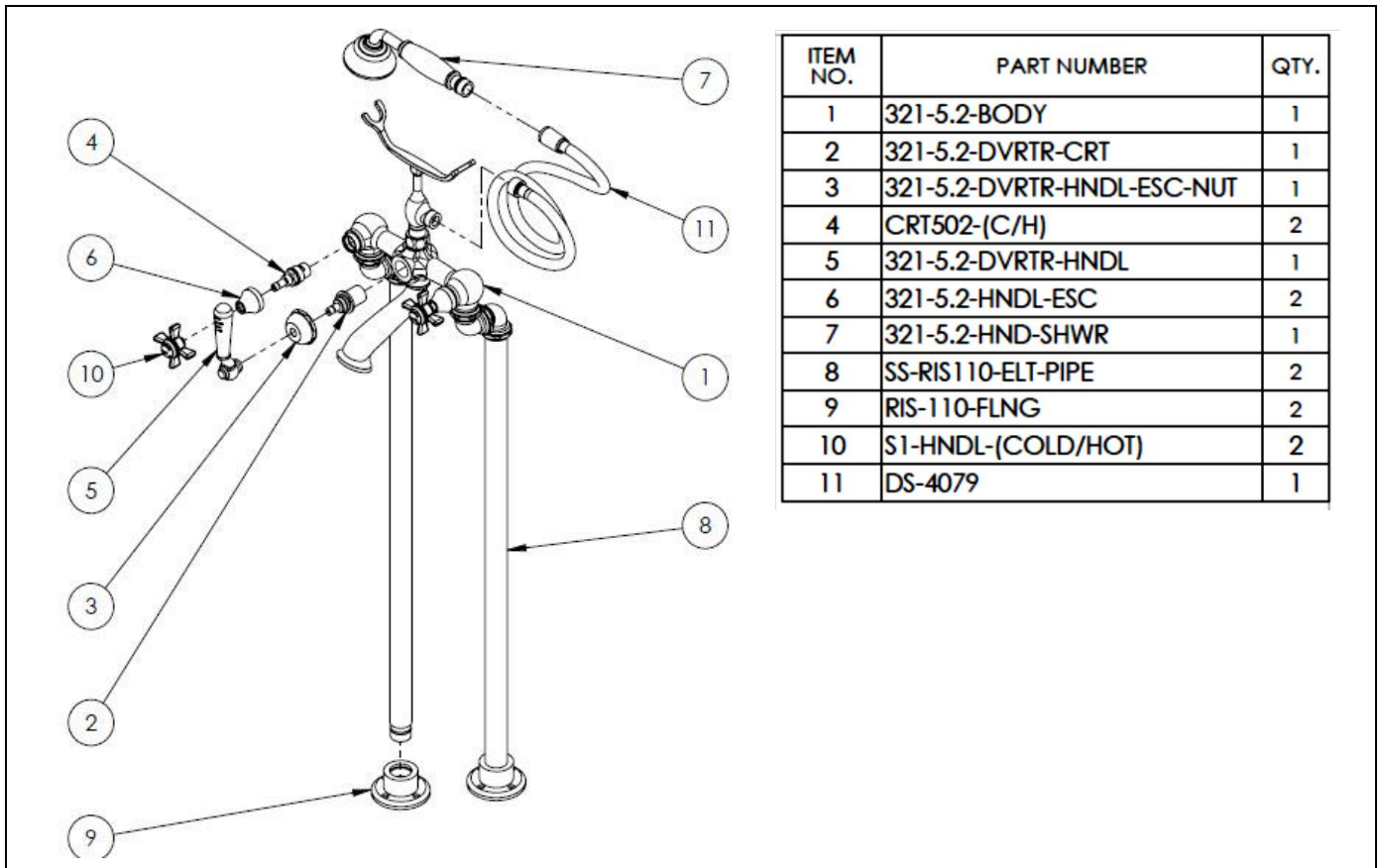


FEATURES

- 1/4 turn washerless ceramic disc valve cartridges
- Flow rate 12 gpm (45 lpm) at 45 psi (tub)
- Flow rate 2.5 gpm (9.46 lpm) at 45 psi (hand shower)
- Solid brass construction
- Warranty:
 - Limited lifetime warranty (residential use)
 - One year (commercial use)
- Standard finishes:
 - antique bronze
- Listed by IAPMO, CSA, NSF, and other municipalities
- Shipping weight (lbs.) 30
- Shipping dimensions (in.): 23 x 13 x18

Note: some building codes require remote pressure balance valves (not supplied) for anti-scald

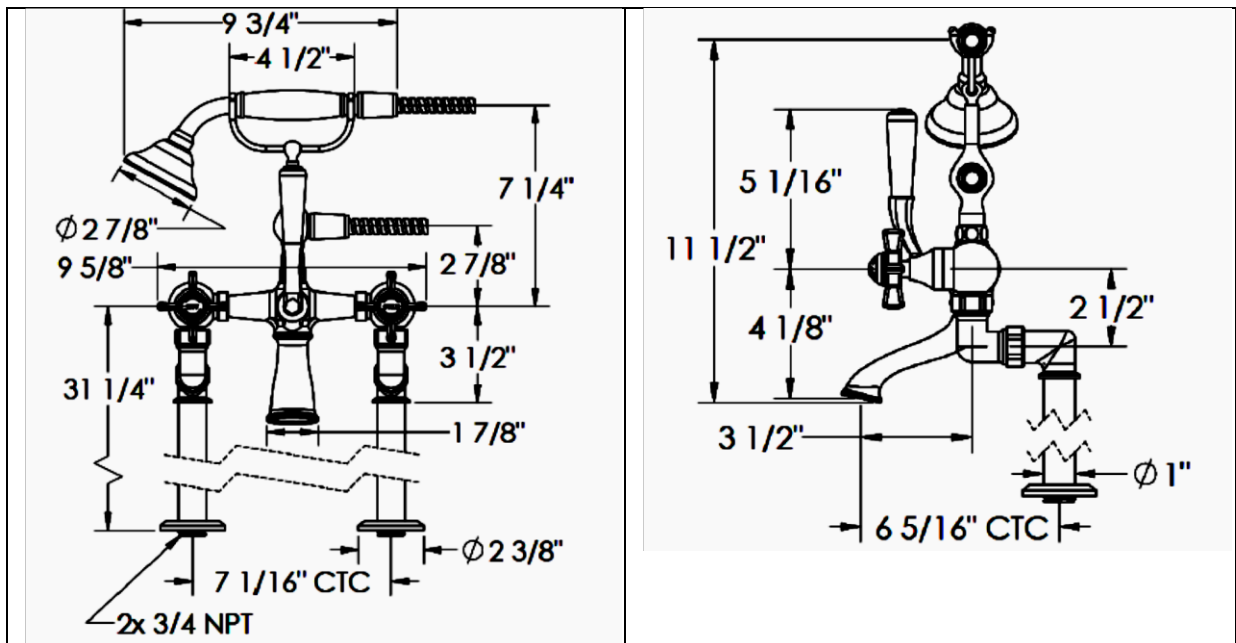


For technical support, please call 1-888-779-5176

1. **Carefully remove all parts from the box.**
2. **Begin by first installing your coupling**
 - a. You need to provide two $\frac{3}{4}$ " female NPT couplings
 - b. Make sure that the coupling is flush to the finished floor.

Note: Coupling may be recessed a little from the finish floor but *never* to protrude higher than the surface of the finished floor. This will prevent the decorative flanges (9) from sitting flush on the finished floor.
3. **Screw decorative flange (9) onto risers (8).**
 - a. Ensure flange is threaded all the way up onto tapered side of $\frac{3}{4}$ " riser.

Note: One end of riser is tapered and one side is straight thread.
4. **Screw risers (8) securely into $\frac{3}{4}$ " female NPT couplings (not provided).**
5. **Thread flanges (9) down to finished floor and secure with finished screws provided.**
6. **Mount tub faucet (1) onto risers.**



IMPORTANT INSTALLATION INFORMATION

- USE TEFLON TAPE OR PIPE SEALANT FOR THREADED CONNECTIONS
- DO NOT USE PLUMBER'S PUTTY ON ANY OF THE BRASS COMPONENTS
This will cause the finish to tarnish and void the warranty. A non-corrosive Silicone is recommended.
- DURING SWEATING OF LINES DO NOT OVERHEAT CASTING
Overheating may cause damage to internal mechanism
- COPPER ADAPTORS MAY BE REQUIRED TO COMPLETE YOUR INSTALLATION