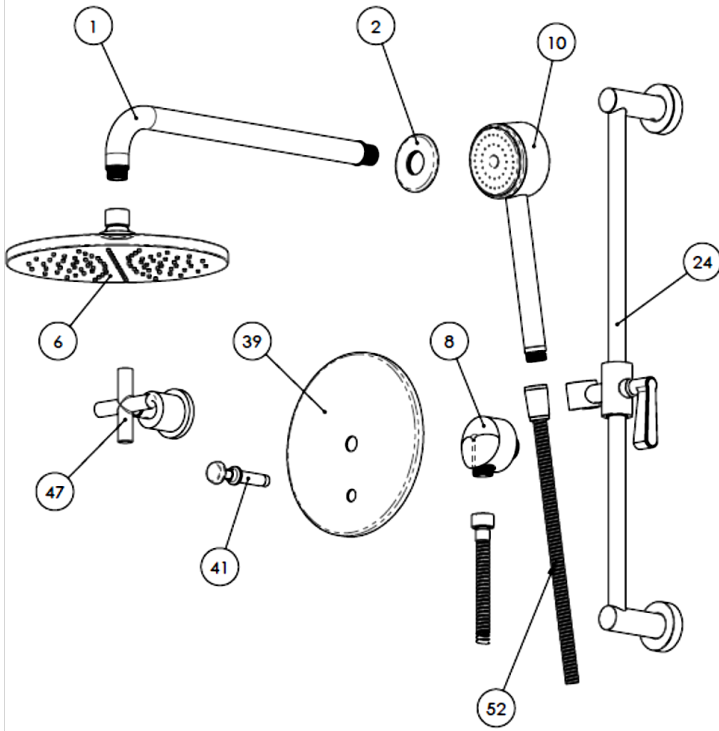


### FEATURES

- Diaphragm cartridge maintains water temperature within  $\pm 2^\circ$
- Compensates for water pressure fluctuations preventing scalding
- Flow rate: 6-7 gpm at 80 psi
- Solid brass construction
- Warranty:
  - Limited lifetime warranty (residential use)
  - One year (commercial use)
- Standard finishes:
  - polished chrome
  - satin nickel
  - polished nickel
  - antique bronze
- Listed by IAPMO, CSA, NSF, and other municipalities
- Shipping weight (lbs.): 15.7
- Shipping dimensions(in.): 12 x 22.5 x13

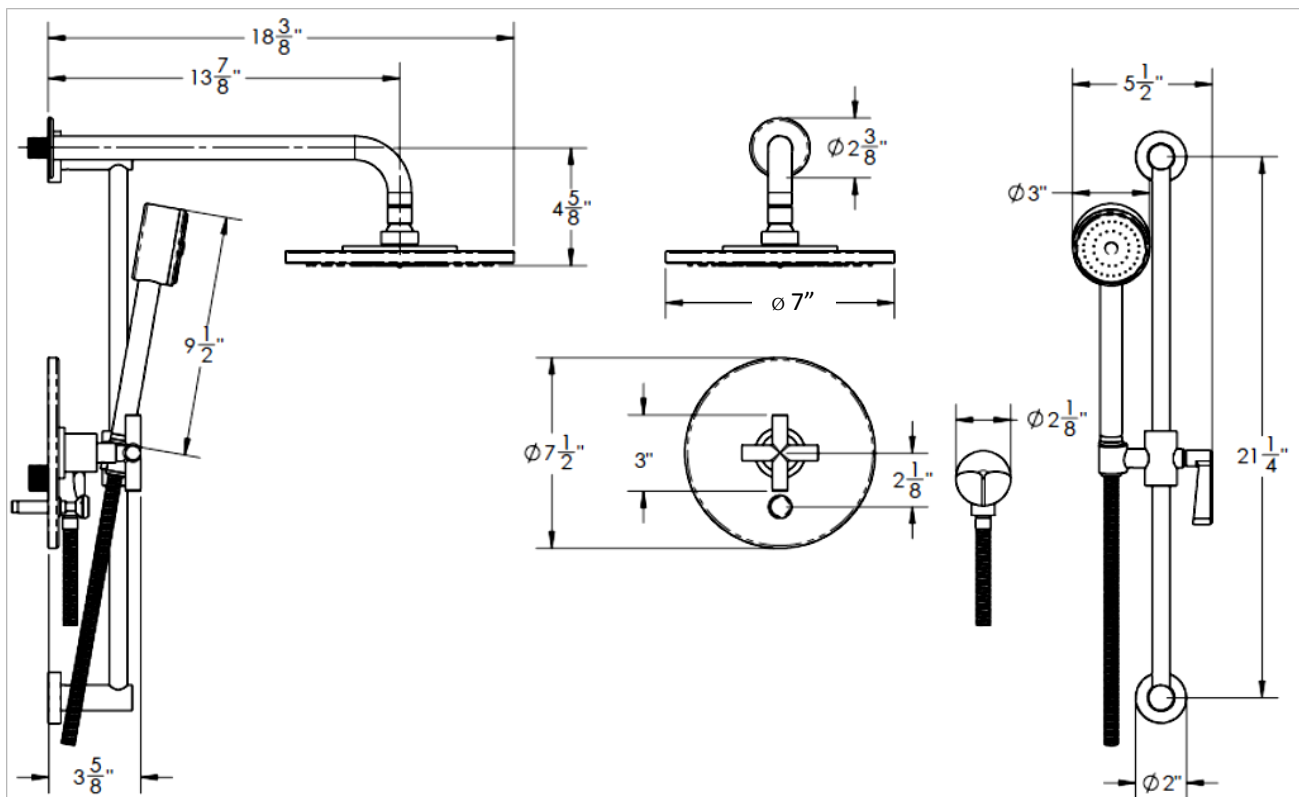


| Parts Checklist  |                            |     |
|--|----------------------------|-----|
| Carefully remove all parts from the box. The following parts should be included. |                            |     |
| ID #   | Description                | Qty |
| 1  | Shower arm                 | 1   |
| 2  | Shower arm flange          | 1   |
| 6  | SH-TIT50 Shower head       | 1   |
| 8  | ELB-8001 elbow             | 1   |
| 10   | SH-LFT30 hand shower       | 1   |
| 24   | PB-6524-24 Positioning Bar | 1   |
| 39   | Face plate SS-PFP925       | 1   |
| 41   | Diverter knob and post     | 1   |
| 47   | Handle and escutcheon      | 1   |
| 52   | DS-4079 shower hose        | 1   |

### IMPORTANT INSTALLATION INFORMATION

- USE TEFLON TAPE OR PIPE SEALANT FOR THREADED CONNECTIONS
- DO NOT USE PLUMBER'S PUTTY ON ANY OF THE BRASS COMPONENTS  
This will cause the finish to tarnish and void the warranty. A non-corrosive Alkoxy Silicone is recommended.
- DURING SWEATING OF LINES DO NOT OVERHEAT CASTING  
Overheating may cause damage to internal mechanism
- COPPER ADAPTORS MAY BE REQUIRED TO COMPLETE YOUR INSTALLATION

1. **Ensure valve is properly installed according to Installation Sheet provided with valve.**  
Note: Specification from finished wall to tip of broached stem is 4".
2. **Fit faceplate onto valve.**  
Note: for shower valves with diverter, screw diverter knob and post (33) onto diverter stem.
3. **Insert handle trim onto stem broach so that escutcheon (36) rests against faceplate (31) and slight clearance is left for handle (36) to rotate freely.**  
Note: When fitting handle it may be necessary to shorten broach stem and/or threaded nipple to eliminate gap between handle and escutcheon.
4. **Install the handshower assembly .** Thread wall elbow onto ½" male NPT nipple. Secure mounting kits (already assembled into Positioning bar posts (11,15) onto wall. Connect conical shape connection of hose onto hand shower and round connection onto elbow.



For technical support, please call 1-888-779-5176

Rev. 6/12